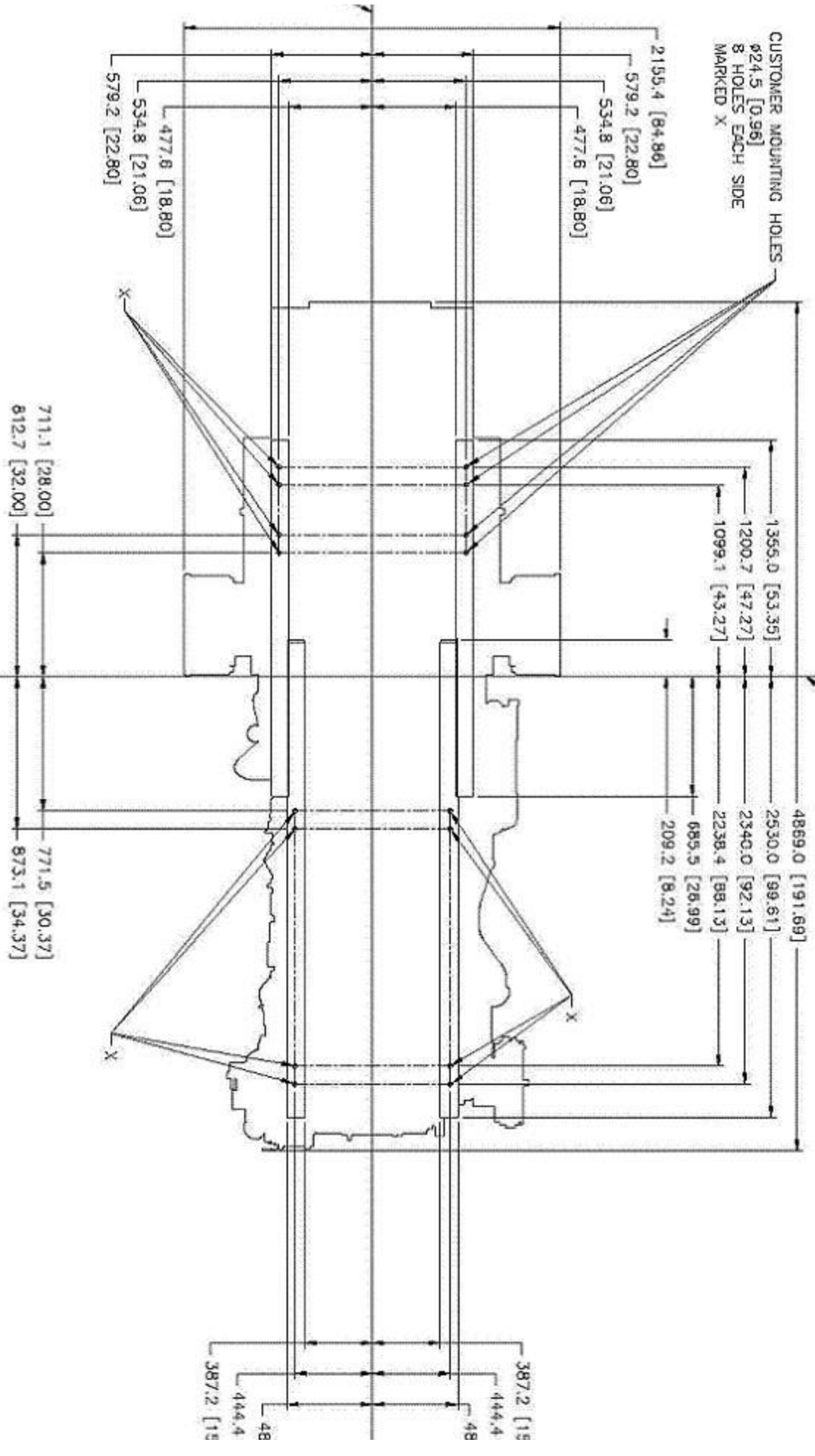
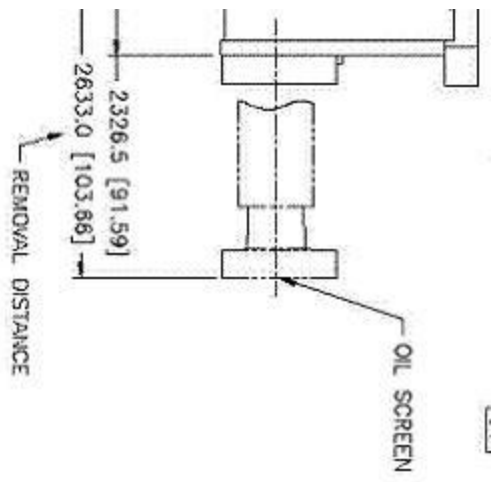


CUSTOMER MOUNTING HOLES
 Ø24.5 [0.96]
 8 HOLES EACH SIDE
 MARKED X

REAR FACE OF CYLINDER BLOCK

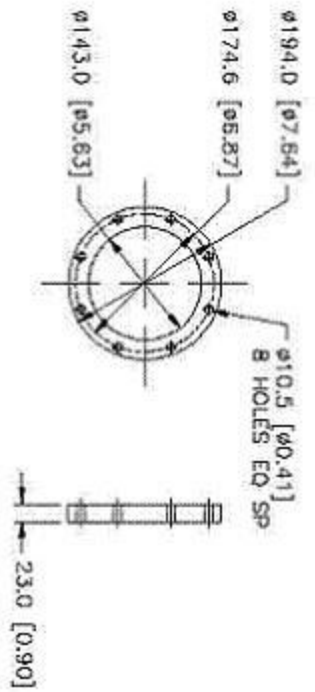


03

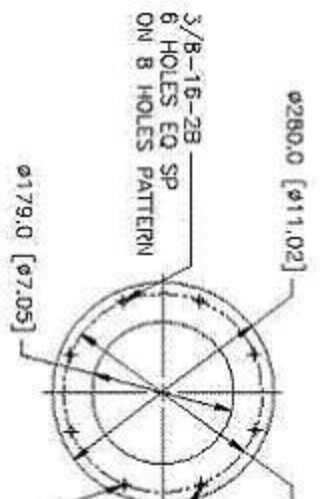


- REAR FACE OF CYLINDER BLOCK

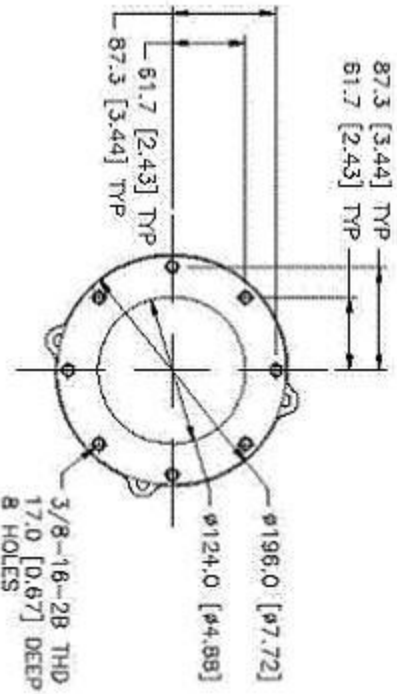
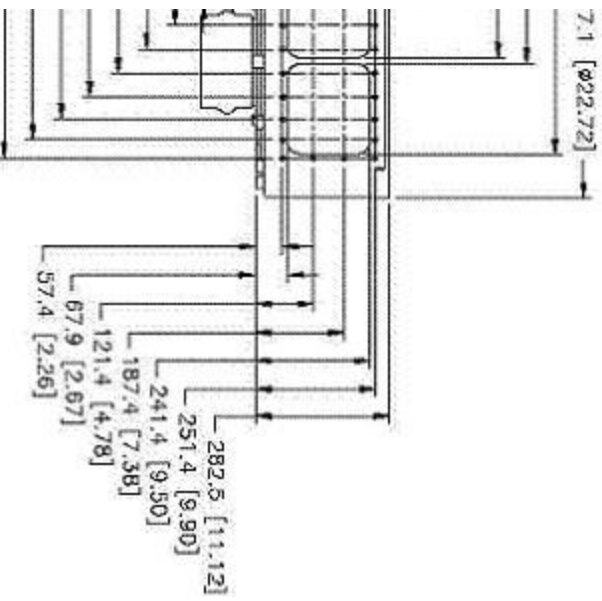
DETAIL OF OIL SCREEN
SCALE 1=3



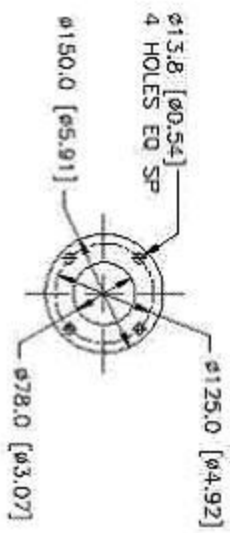
DETAIL OF WATER OUTLET FLANGE
SCALE 1=3



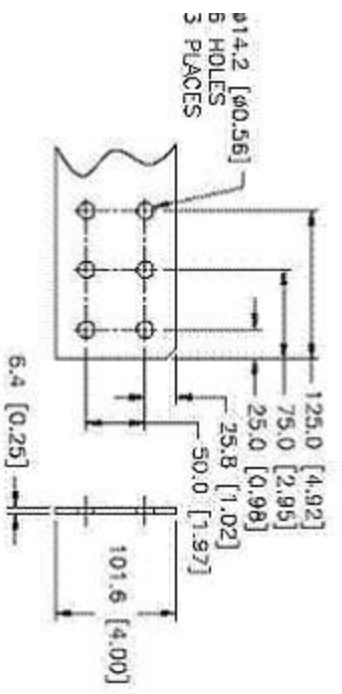
DETAIL OF EXHAUST
SCALE 1=3



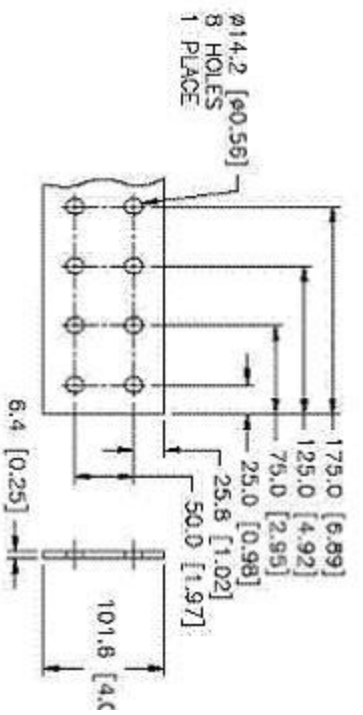
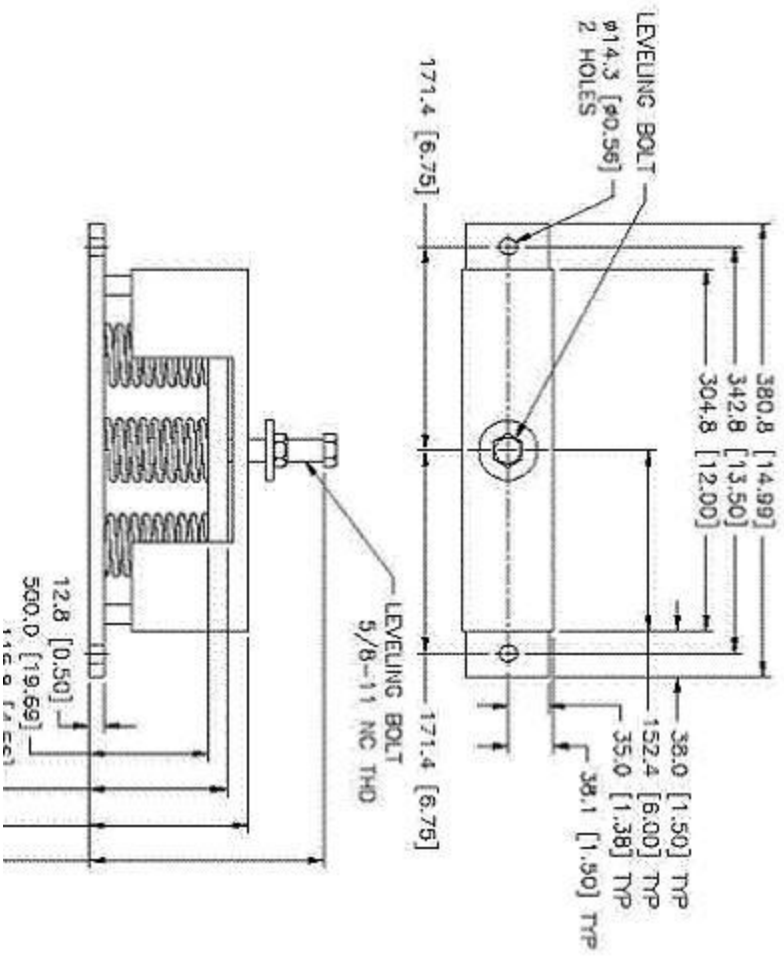
DETAIL OF WATER INLET



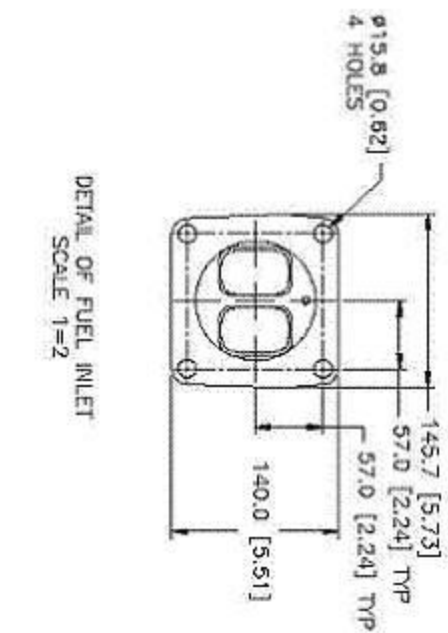
DETAIL OF SEPARATE CIRCUIT WATER INLET
SCALE 1=3



DETAIL OF 6 HOLES TERMINAL STRIP (T1, T2, T3)
SCALE 1=2



DETAIL OF 8 HOLES TERMINAL STRIP (T0)
SCALE 1=2



DETAIL OF FUEL INLET
SCALE 1=2