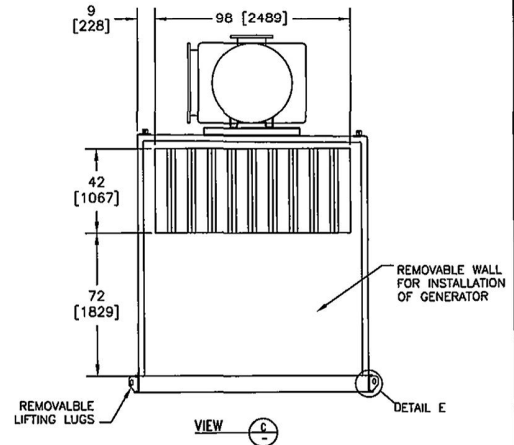
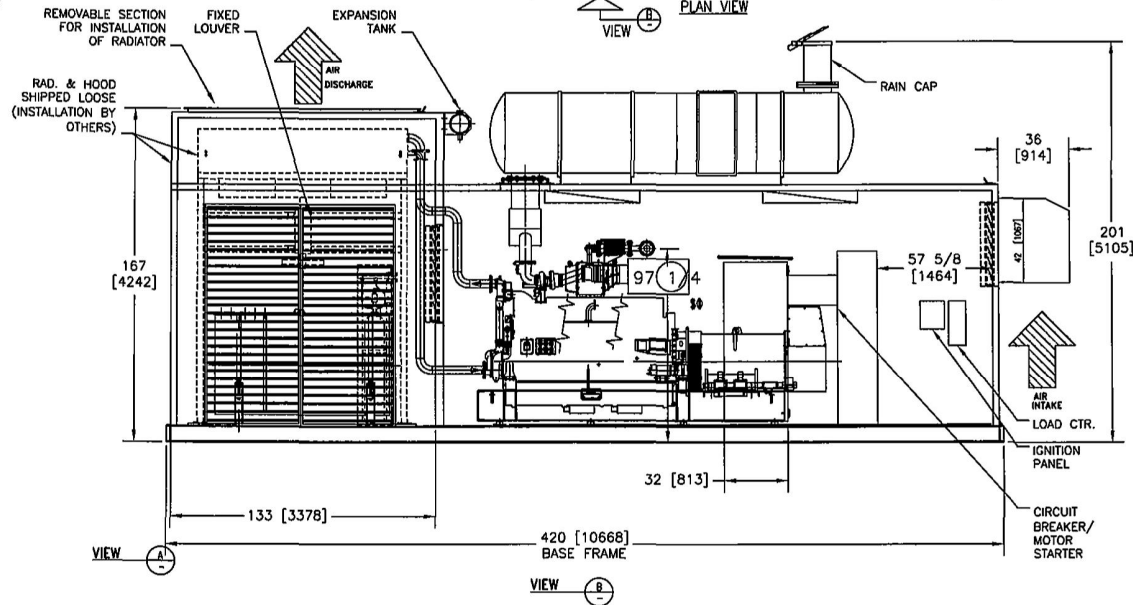
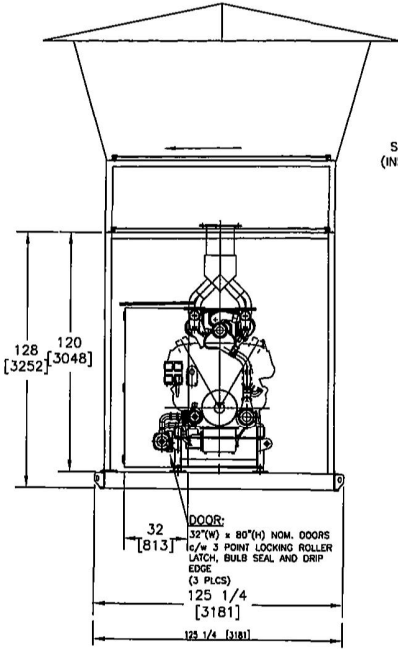
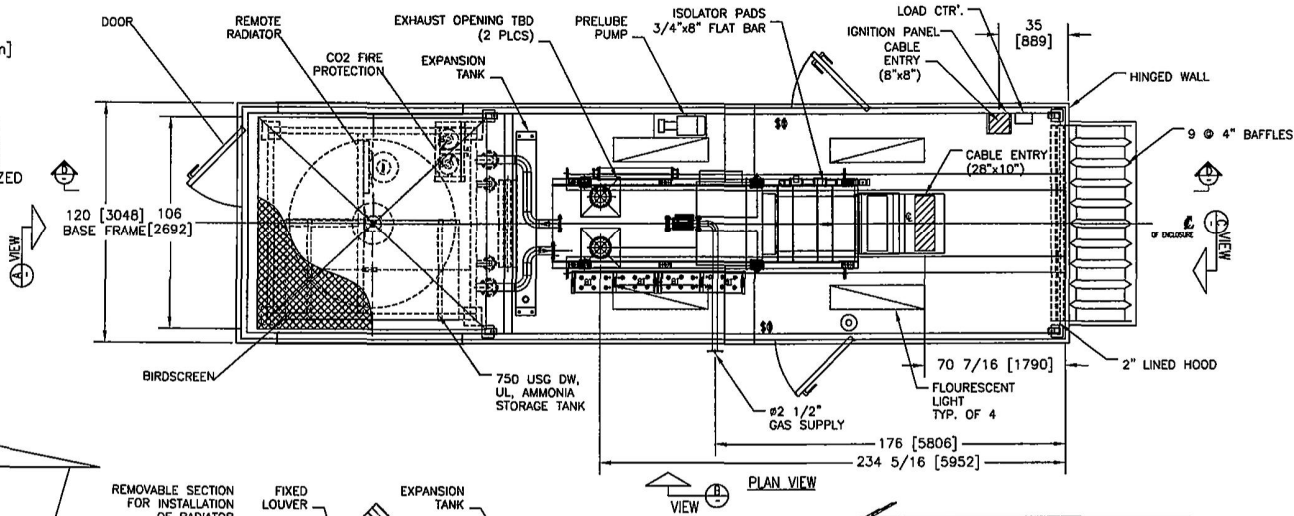


DRAWING SPECIFICATIONS ARE SUBJECT TO CHANGE WITHOUT NOTICE. THE INFORMATION ON THIS DRAWING IS THE PROPERTY OF SIMPSON POWER PRODUCTS LTD. IT IS NOT TO BE USED DETRIMENTALLY TO OUR INTERESTS.

NOTES

- ① ALL DIMENSIONS ARE IN inches [mm]
- ② APPROX. UNIT WEIGHT IN lbs [kg]
: 50,000 [22727]
- ③ MATERIAL: EXTERIOR: 10GA ALUMINUM
INTERIA: 22GA PERFORATED GALVANIZED LINING
BELLY PAN: 18GA GALVANIZED
- ④ NOISE LEVEL : 72 dba @ 7meter
IN FREE FIELD CONDITION



NOTES:

GENERAL

- ENCLOSURE DESIGNED FOR OUTDOOR USE
- SLOPED ROOF 1"

CONSTRUCTION

- EXTERIOR WALLS AND ROOF:**
- ALL WALLS AND ROOF 3" THICK
 - EXTERIOR SKINS 12 GA ALUMINUM
 - ROOF FULLY SEAM WELDED
- INTERIOR CEILING, WALLS, HOODS & DOORS:**
- FULLY INSULATE WITH 3" KNAUF INSULATION
 - LINED WITH 22 GA GALV. PERF

PREP. AND PAINT

- CLEAN ALL METAL TO SSPC-SP1
- INTERIOR:**
- DEGREASE INTERIOR BEFORE SHIPPING
- EXTERIOR:**
- PRIME WITH GP META PRIME ETCHING PRIMER 0.5 MILS D.F.T.
 - TOP COAT WITH GP-16 LINE SEMI GLOSS URETHANE ENAMEL 2.5 MIL TO 2.0 D.F.T.
 - BASE FRAME TO BE PRIMED WITH GP 06 LINE QUICK DRY ANTI CORROSIVE PRIMER 1.0 TO 1.5 MILS D.F.T
 - BASE FRAME TOP COAT SHALL BE WITH GP 16 LINE SEMI GLOSS URETHANE ENAMEL 1.5 TO 2.0 MILS D.F.T
 - BOTTOM OF BASE FRAME TO BE WITH GP COAL TAR EPOXY ENAMEL 1.5 TO 2.0 MILS D.F.T.
 - COLOR: TBD

STANDARD DRAWING
STANDARD

SCALE		1:64	
DRAWN BY		SM	
DATE		02APR01	
CHKD BY		SM	
DATE		04APR01	
A	GENERAL REVISION	SM	04APR01
NO.	REVISIONS	BY	DATE

TITLE

780 kW GENERATOR SET
ALUMINUM ENCLOSURE
ELEVATION, PLAN & SIDE VIEW
BCS 780KW PRIME

SIMPSON POWER PRODUCTS LTD.
11645 Kingston St., Maple Ridge (Vancouver), B.C., Canada V2X 0Z5
Tel: (604) 463-3811, Fax: (604) 463-1974, Paris Direct: (604) 463-3301

WORK ORDER	PHASE NO.	DWG. NO.	REV.
12815	2000	12815-3A	A