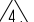
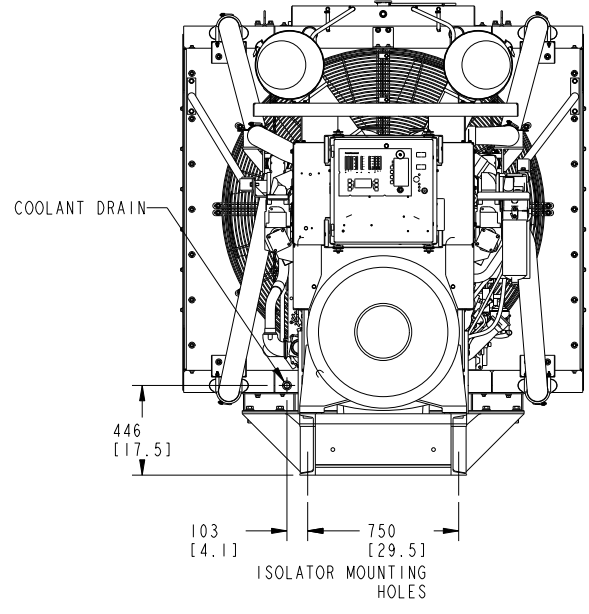
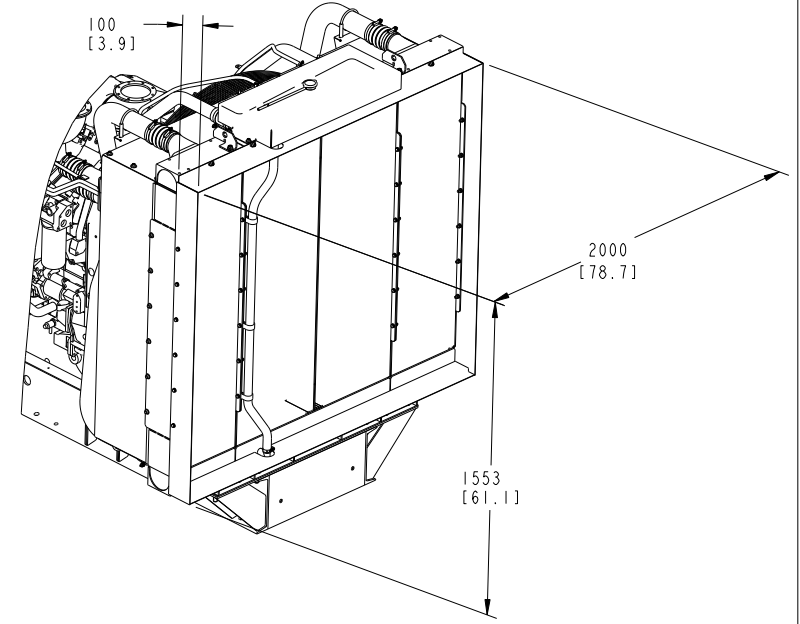
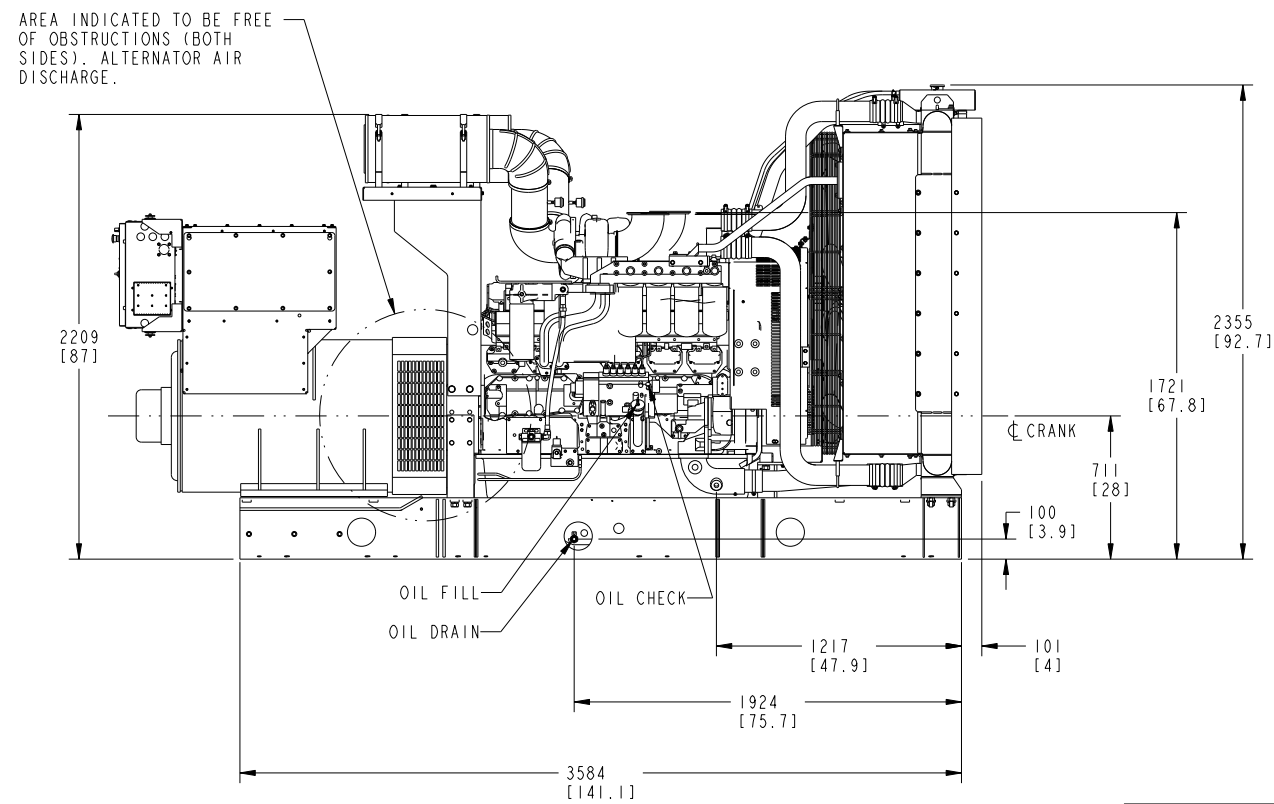
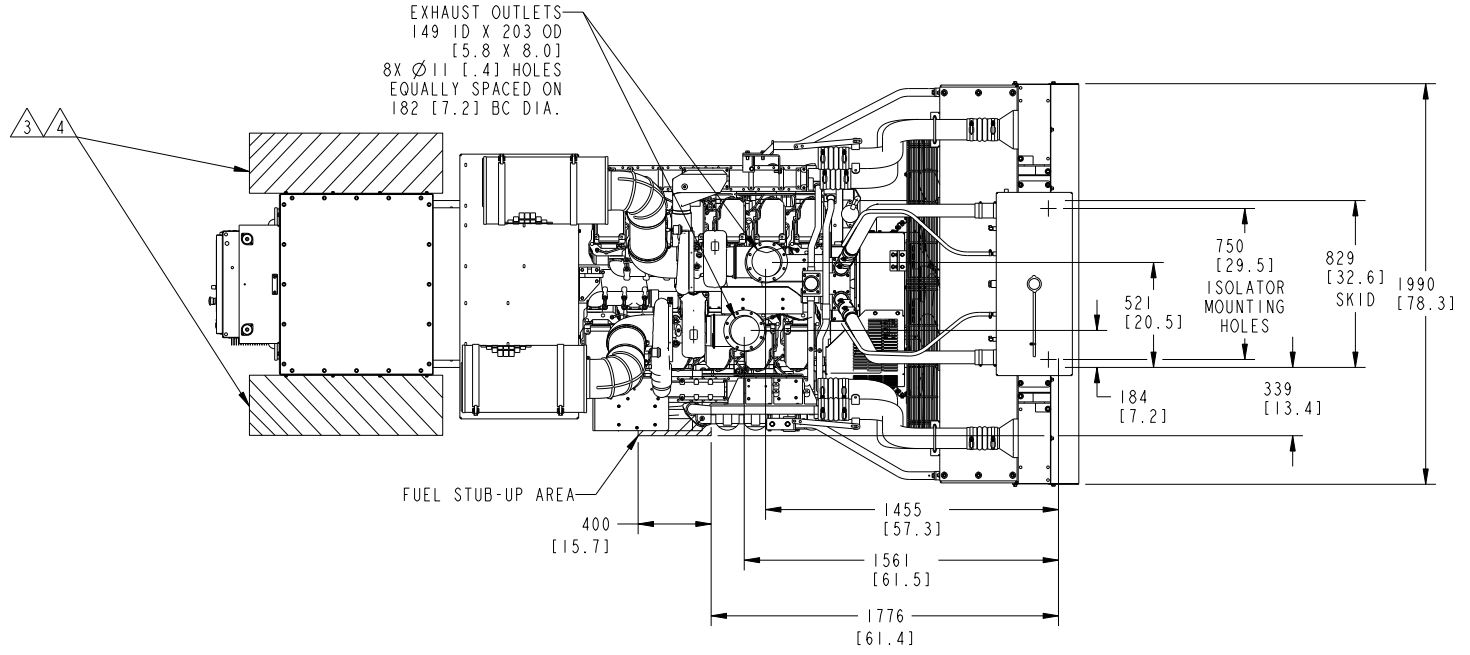



REL NO	LTR	NO	REVISION	OWN	CAD	APVD	DATE
ECO-151628	A	1	PRODUCTION RELEASE	AM	SV	S.VENKATESAN	06AUG15

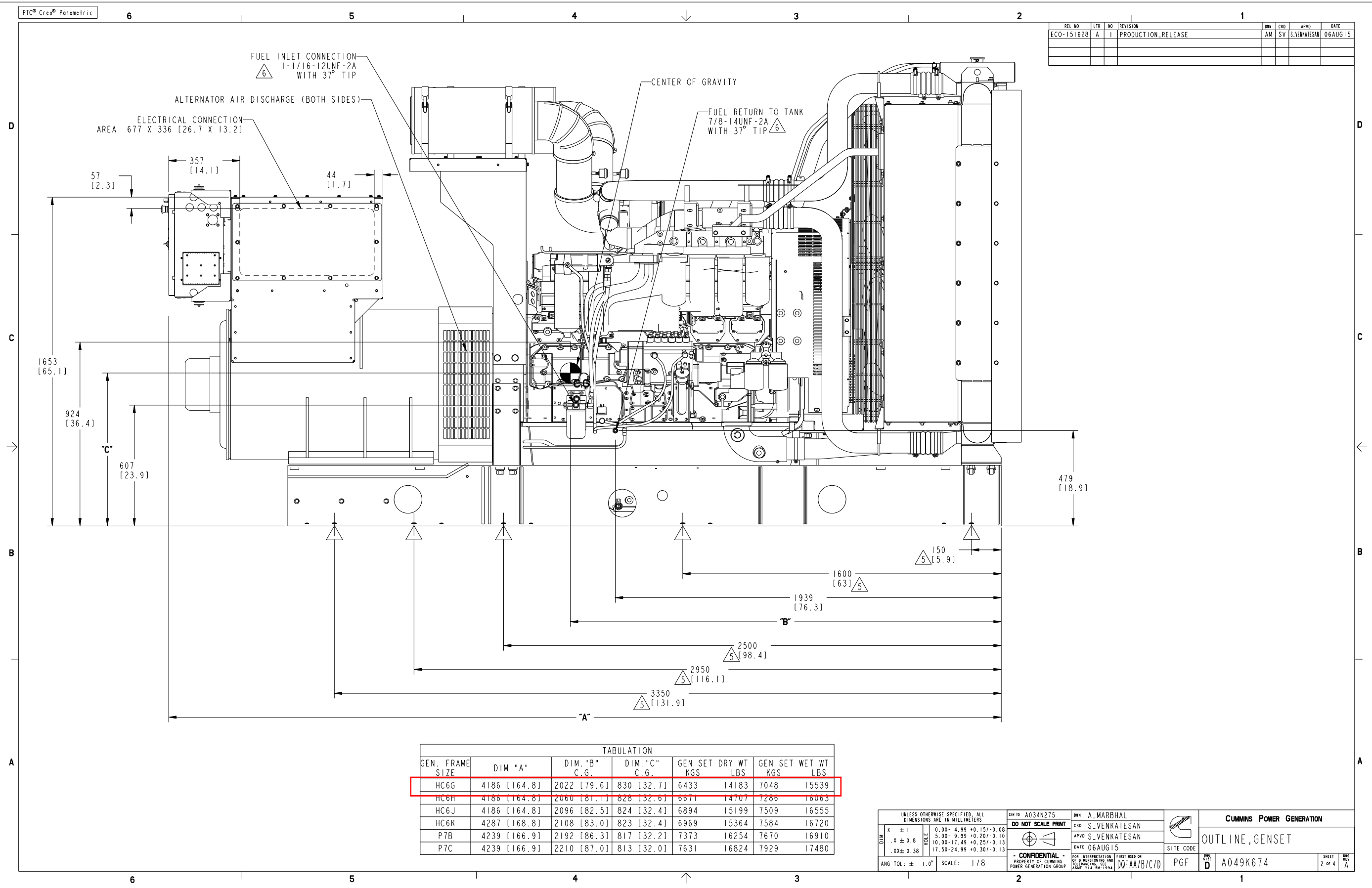
NOTES:

- ALL DIMENSIONS ARE REFERENCE, UNLESS SPECIFICALLY TOLERANCED.
- DIMENSIONS SHOWN IN [] ARE INCHES.
- REFER TO CIRCUIT BREAKER OUTLINE DRAWING FOR ELECTRICAL STUB-UP AREA FOR SPECIFIC BREAKERS.
- FOR ENTRANCE BOX APPLICATIONS, SEE APPLICABLE ENTRANCE BOX OUTLINE DRAWING.
- 25 [1] DIA HOLES MARKED BY  FOR 10 POINT ISOLATION MOUNTING.
- FUEL IN HOSE [Ø.75] X 2009 [79.1] LONG WITH 3/4-14 NPTF EXTERNAL THREAD FITTING. FUEL OUT HOSE [Ø.50] X 1270 [50.0] LONG WITH 3/4-14 NPTF EXTERNAL THREAD FITTING.
- TERMINALS WILL ACCOMMODATE STANDARD NEMA AND IEC 2-HOLE LUGS.
- TERMINALS WILL ACCOMMODATE UP TO 10-750 MCM LUGS.
- TERMINALS WILL ACCOMMODATE UP TO 6-350 CMC LUGS OR 4-500 MCM LUGS.



UNLESS OTHERWISE SPECIFIED, ALL DIMENSIONS ARE IN MILLIMETERS		SIM 10 A034N275	OWN A.MARBHAL		CUMMINS POWER GENERATION	
DO NOT SCALE PRINT		CND S.VENKATESAN	APVD S.VENKATESAN		OUTLINE, GENSET	
CH	INT	DATE 06AUG15	DATE 06AUG15	SITE CODE	PGF	
ANG TOL: ± 1.0° SCALE: 1/16		- CONFIDENTIAL - PROPERTY OF CUMMINS POWER GENERATION GROUP		FOR INTERPRETATION OF DIMENSIONS AND TOLERANCING, SEE ASME Y14.5M-1994	FIRST USED ON DQFAA/B/C/D	SHEET 1 OF 4
				PGF	D	A049K674

REL NO	LTR	NO	REVISION	OWN	CAD	APVD	DATE
ECO-151628	A	1	PRODUCTION RELEASE	AM	SV	S.VENKATESAN	06AUG15



GEN. FRAME SIZE	DIM "A"	DIM. "B" C.G.	DIM. "C" C.G.	GEN SET DRY WT KGS	LBS	GEN SET WET WT KGS	LBS
HC6G	4186 [164.8]	2022 [79.6]	830 [32.7]	6433	14183	7048	15539
HC6H	4186 [164.8]	2060 [81.1]	828 [32.6]	6671	14707	7286	16063
HC6J	4186 [164.8]	2096 [82.5]	824 [32.4]	6894	15199	7509	16555
PTB	4239 [166.9]	2192 [86.3]	817 [32.2]	7373	16254	7670	16910
PTC	4239 [166.9]	2210 [87.0]	813 [32.0]	7631	16824	7929	17480

UNLESS OTHERWISE SPECIFIED, ALL DIMENSIONS ARE IN MILLIMETERS		SIM 10 A034N275	OWN A. MARBHAL		CUMMINS POWER GENERATION	
DO NOT SCALE PRINT		APVD S.VENKATESAN	CAD S.VENKATESAN		OUTLINE, GENSET	
X ± 1 .X ± 0.8 .XX ± 0.38 ANG TOL: ± 1.0°		0.00- 4.99 +0.15/-0.08 5.00- 9.99 +0.20/-0.10 10.00-17.49 +0.25/-0.13 17.50-24.99 +0.30/-0.13	DATE 06AUG15	SITE CODE	PGF	
SCALE: 1/8		PROPERTY OF CUMMINS POWER GENERATION GROUP	FOR INTERPRETATION OF DIMENSIONS AND TOLERANCING, SEE ASME Y14.5M-1994	PGF	REV D	A049K674
					SHEET 2 OF 4	REV A