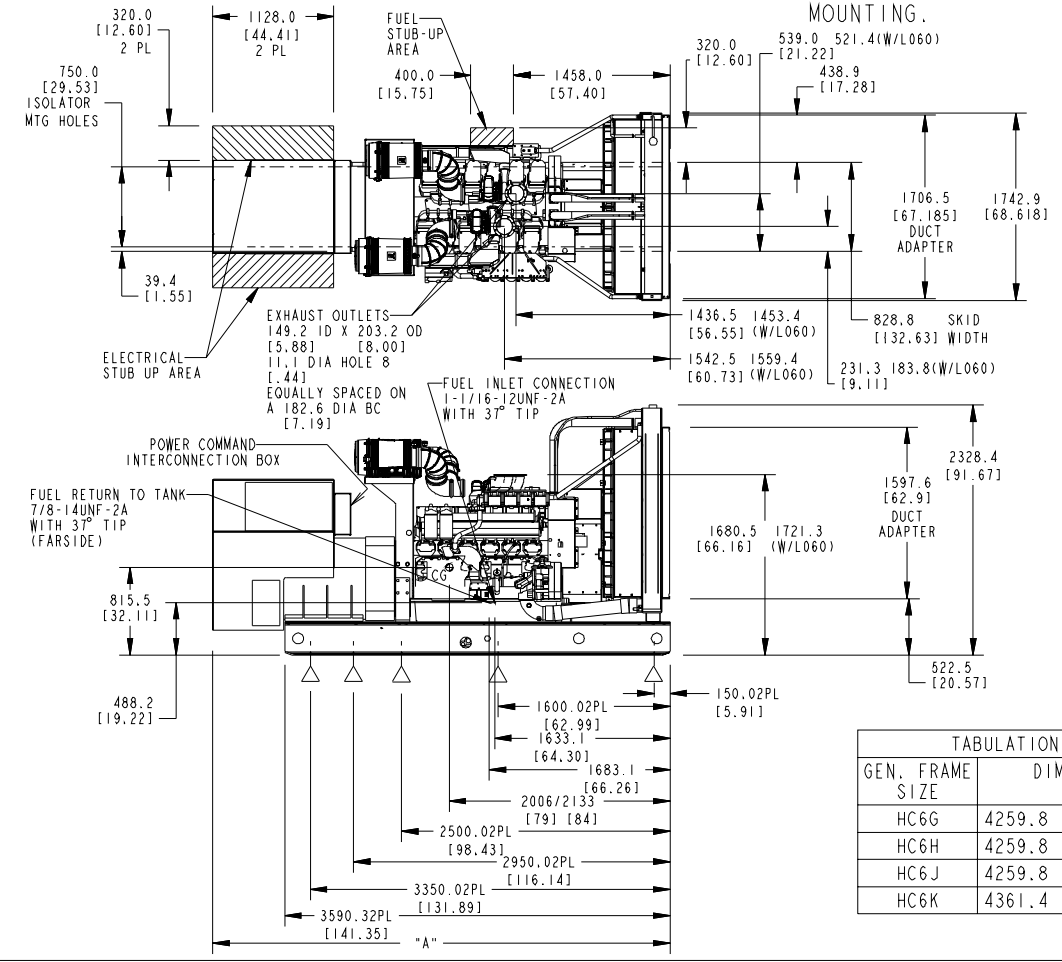


0500\_3134 D

ER NO.	LTR	NO.	REVISION	ZONE	DR	CHKR	APPROVED	DATE
72328	A	1	PRODUCTION RELEASE	-	MJK	KDW	KDW	02-29-96
73817	B	1	CORRECTED MODEL SCALING ERROR	-	MJK	BG	RCL	10-23-96
74650	C	1	SEE SHEET 3	-	CC	BG	JSL	03-06-97
FRD2741	D	1	SEE SHEET 2	-	JC	PL	P. LARSON	09-20-99
		2	SEE SHEET 3	-	JC	PL	P. LARSON	09-20-99
FRD5776	E	1	ADDED "W/LOGO" DIMS. PER ECOR	-	RMM	BG	JSL	06-06-00
FRD11735	F	1	UPDATE AIR CLEANER PICTORIALY	-	EDG	TMO	T. OLSON	01-28-02
		2	SEE SHEET 5	-	EDG	TMO	T. OLSON	01-28-02

THIS DRAWING IS FOR INFORMATIONAL PURPOSES ONLY, FOR SPECIFIC CONSTRUCTION DETAILS, OBTAIN INSTALLATION OUTLINE DRAWING 500\_3134 FROM YOUR DISTRIBUTOR.

- NOTES:
- DIMENSIONS SHOWN IN [ ] ARE INCHES.
  - GEN SET APPROXIMATE WEIGHT:  
 DRY 7676 KGS. [16922 LBS.]  
 WET 7973 KGS. [17578 LBS.]
  - 19 [.75] DIA HOLES MARKED BY  $\Delta$  FOR 10 POINT ISOLATION MOUNTING.



GEN. FRAME SIZE	DIM. A
HC6G	4259.8 [167.71]
HC6H	4259.8 [167.71]
HC6J	4259.8 [167.71]
HC6K	4361.4 [171.71]

NOTE:  
 1. TEXT HEIGHT STANDARD UNLESS NOTED.  
 BOARDER AROUND OUTLINE HAS WIDTH OF .762 mm.  
 DIMENSIONS AND ARROWED NOTES ON VIEWS HAVE TEXT HEIGHT OF 3mm HIGH.

CLASSIFICATION OF CHARACTERISTICS  
 CRITICAL ●  
 MAJOR ●  
 MINOR (NONE) ○  
 LINE BELOW SYMBOL ● APPLIES TO UPPER LIMIT  
 LINE ABOVE SYMBOL ● APPLIES TO LOWER LIMIT  
 NO LINE WITH SYMBOL APPLIES TO BOTH LIMITS  
 ▼ KEY INSTRUCTION (NO TOLERANCE)

APPROVED K.D.W.  
 DATE 02-29-96

METRIC DWG  
 Pro/ENGINEER

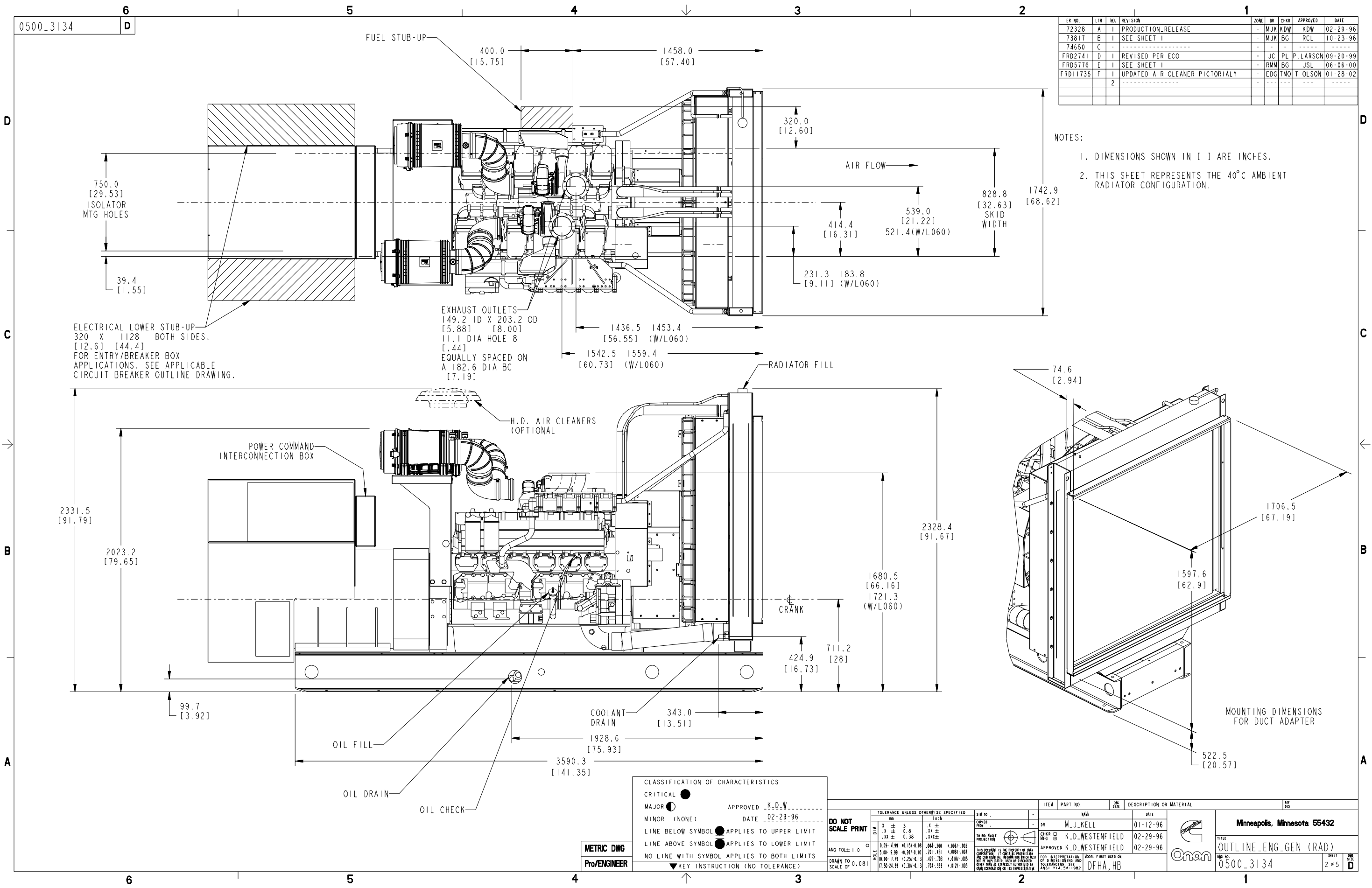
ITEM	PART NO.	QTY	DESCRIPTION OR MATERIAL	REF DIS					
<table border="1"> <tr> <td> <b>DO NOT SCALE PRINT</b>            ANG TOL ± 1.0            SCALE OF 0.031         </td> <td>           TOLERANCE UNLESS OTHERWISE SPECIFIED            mm            .XX ±            .XX ±            .XX ±            .XX ±         </td> <td>           INCH            .XX ±            .XX ±            .XX ±            .XX ±         </td> <td>           SURF TO PROTECT FROM RUST            FINISH ANGLE PROTECTION            THIS DOCUMENT IS THE PROPERTY OF ORN CORPORATION. IT CONTAINS PROPRIETARY AND CONFIDENTIAL INFORMATION WHICH MUST NOT BE REPRODUCED, COPIED, DISCLOSED OR IN ANY MANNER USED OR DISCLOSED WITHOUT THE WRITTEN PERMISSION OF ORN CORPORATION OR ITS REPRESENTATIVE.         </td> <td>           FOR INTERPRETATION OF DIMENSIONS AND TOLERANCES, SEE ANS1 Y14.2M-1982         </td> </tr> </table>					<b>DO NOT SCALE PRINT</b> ANG TOL ± 1.0 SCALE OF 0.031	TOLERANCE UNLESS OTHERWISE SPECIFIED mm .XX ± .XX ± .XX ± .XX ±	INCH .XX ± .XX ± .XX ± .XX ±	SURF TO PROTECT FROM RUST FINISH ANGLE PROTECTION THIS DOCUMENT IS THE PROPERTY OF ORN CORPORATION. IT CONTAINS PROPRIETARY AND CONFIDENTIAL INFORMATION WHICH MUST NOT BE REPRODUCED, COPIED, DISCLOSED OR IN ANY MANNER USED OR DISCLOSED WITHOUT THE WRITTEN PERMISSION OF ORN CORPORATION OR ITS REPRESENTATIVE.	FOR INTERPRETATION OF DIMENSIONS AND TOLERANCES, SEE ANS1 Y14.2M-1982
<b>DO NOT SCALE PRINT</b> ANG TOL ± 1.0 SCALE OF 0.031	TOLERANCE UNLESS OTHERWISE SPECIFIED mm .XX ± .XX ± .XX ± .XX ±	INCH .XX ± .XX ± .XX ± .XX ±	SURF TO PROTECT FROM RUST FINISH ANGLE PROTECTION THIS DOCUMENT IS THE PROPERTY OF ORN CORPORATION. IT CONTAINS PROPRIETARY AND CONFIDENTIAL INFORMATION WHICH MUST NOT BE REPRODUCED, COPIED, DISCLOSED OR IN ANY MANNER USED OR DISCLOSED WITHOUT THE WRITTEN PERMISSION OF ORN CORPORATION OR ITS REPRESENTATIVE.	FOR INTERPRETATION OF DIMENSIONS AND TOLERANCES, SEE ANS1 Y14.2M-1982					
NAME DR <u>M.J. KELL</u> CHDR <u>K.D. WESTENFELD</u> APPROVED <u>K.D. WESTENFELD</u>		DATE <u>01-12-96</u> <u>02-29-96</u> <u>02-29-96</u>		MODEL FIRST USED ON <u>DFHA, HB</u>					
TITLE <u>OUTLINE_ENG_GEN (RAD)</u>				SHEET <u>1 of 5</u>					
MINNEAPOLIS, MINNESOTA 55432 ORN 0500_3134				DATE <u>01-12-96</u>					

0500\_3134 D

REV NO.	LTR	NO.	REVISION	ZONE	DR	CHKR	APPROVED	DATE
72328	A	1	PRODUCTION RELEASE	-	MJK	KDW	KDW	02-29-96
73817	B	1	SEE SHEET 1	-	MJK	BG	RCL	10-23-96
74650	C	-	-----	-	-	-	-	-----
FRD2741	D	1	REVISED PER ECO	-	JC	PL	P. LARSON	09-20-99
FRD5776	E	1	SEE SHEET 1	-	RMM	BG	JSL	06-06-00
FRD11735	F	1	UPDATED AIR CLEANER PICTORIALY	-	EDG	TMO	T. OLSON	01-28-02
		2	-----	-	-	-	-	-----

NOTES:

1. DIMENSIONS SHOWN IN [ ] ARE INCHES.
2. THIS SHEET REPRESENTS THE 40°C AMBIENT RADIATOR CONFIGURATION.



CLASSIFICATION OF CHARACTERISTICS

CRITICAL ●

MAJOR ◐

MINOR (NONE)

APPROVED K.D.W.

DATE 02-29-96

LINE BELOW SYMBOL ● APPLIES TO UPPER LIMIT

LINE ABOVE SYMBOL ◐ APPLIES TO LOWER LIMIT

NO LINE WITH SYMBOL APPLIES TO BOTH LIMITS

KEY INSTRUCTION (NO TOLERANCE)

DO NOT SCALE PRINT

ANG TOL ± 1.0

DRAWN TO 0.081

SCALE OF 0.081

TOLERANCE UNLESS OTHERWISE SPECIFIED	INCH	MILL
XX ±	0.005	0.127
XX ±	0.008	0.203
XX ±	0.015	0.381
XX ±	0.030	0.762
XX ±	0.060	1.524
XX ±	0.120	3.048
XX ±	0.250	6.350
XX ±	0.500	12.700
XX ±	1.000	25.400
XX ±	2.000	50.800
XX ±	5.000	127.000
XX ±	10.000	254.000

ITEM	PART NO.	QTY	DESCRIPTION OR MATERIAL	REF DES

Minneapolis, Minnesota 55432

TITLE OUTLINE\_ENG\_GEN (RAD)

DWG NO. 0500\_3134

SHEET 2 OF 5

DATE 01-12-96

APPROVED K.D.WESTENFELD

DATE 02-29-96

FOR INTERPRETATION OF DIMENSIONS AND TOLERANCES, SEE ANSI Y14.5M-1982

METRIC DWG

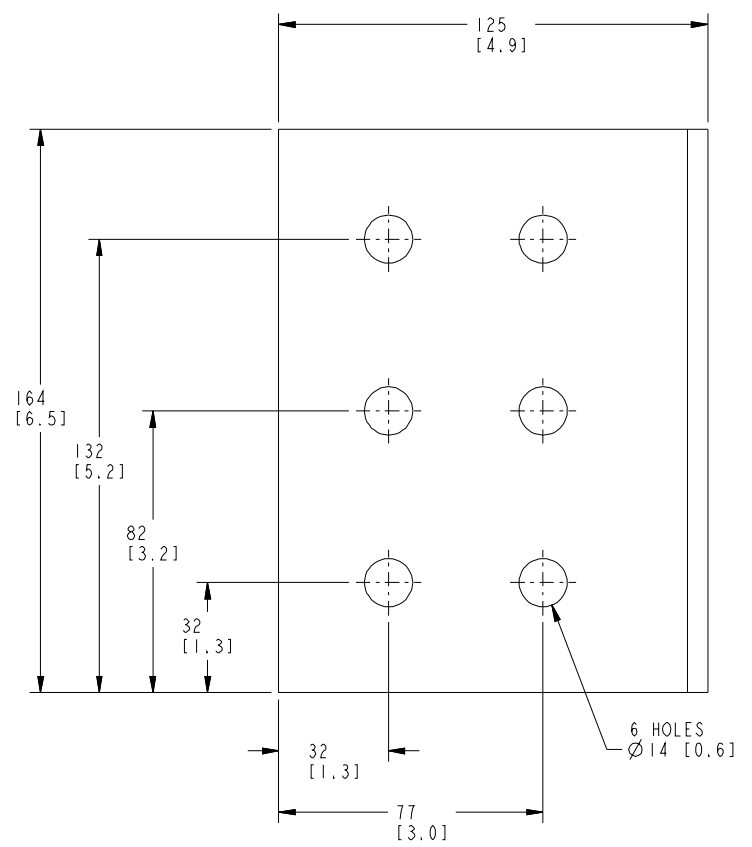
Pro/ENGINEER



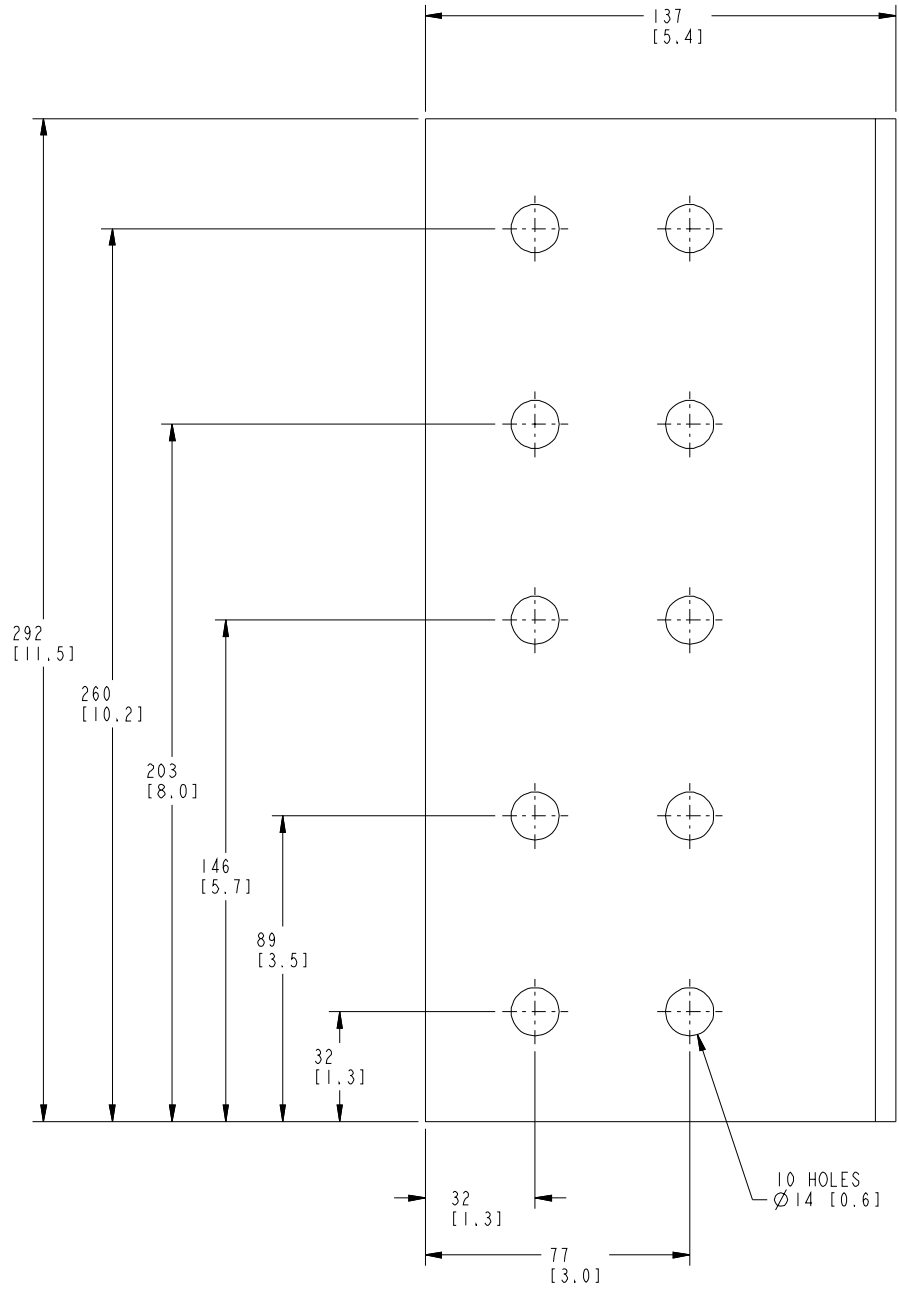


0500\_3134 D

GENERATOR OUTPUT TERMINALS  
(FOR NON-RECONNECTABLE HC6 ALTERNATORS)  
SEE NOTE 3



GENERATOR OUTPUT TERMINALS  
(FOR RECONNECTABLE HC6 AND ALL LOW VOLTAGE HC7 ALTERNATORS)  
SEE NOTE 2



FR NO.	LTR	NO.	REVISION	ZONE	DR	CHKR	APPROVED	DATE
FRD11735	F	1	-----	-	---	---	---	---
		2	ADDED SHEET 5	-	EDG	TMO	T. OLSON	01-28-02

- NOTES:
1. TERMINALS WILL ACCOMODATE STANDARD NEMA AND IEC 2-HOLE LUGS.
  2. TERMINALS WILL ACCOMODATE UP TO 750 MCM LUGS.
  3. TERMINALS WILL ACCOMODATE UP TO 6 350 MCM LUGS OR 4 500 MCM LUGS.

CLASSIFICATION OF CHARACTERISTICS

CRITICAL ●

MAJOR ◐

MINOR (NONE)

APPROVED -----

DATE -----

LINE BELOW SYMBOL ● APPLIES TO UPPER LIMIT

LINE ABOVE SYMBOL ● APPLIES TO LOWER LIMIT

NO LINE WITH SYMBOL APPLIES TO BOTH LIMITS

▼ KEY INSTRUCTION (NO TOLERANCE)

METRIC DWG  
Pro/ENGINEER

DO NOT SCALE PRINT  
ANG TOL ± 1.0  
SCALE OF 0.031

TOLERANCE UNLESS OTHERWISE SPECIFIED		FINISH	
mm	inch	mm	inch
0.00 - 4.99	+0.15/-0.00	004-200	+0.00/-0.03
5.00 - 9.99	+0.20/-0.10	201-321	+0.00/-0.04
10.00 - 17.99	+0.25/-0.13	322-503	+0.00/-0.05
18.00 - 24.99	+0.30/-0.15	504-699	+0.00/-0.05
25.00 - 31.99	+0.35/-0.15	700-899	+0.00/-0.05
32.00 - 49.99	+0.40/-0.15	900-1000	+0.00/-0.05

ITEM	PART NO.	QTY	DESCRIPTION OR MATERIAL	REF

Minneapolis, Minnesota 55432

OUTLINE\_ENG\_GEN (RAD)

0500\_3134

5 of 5

D