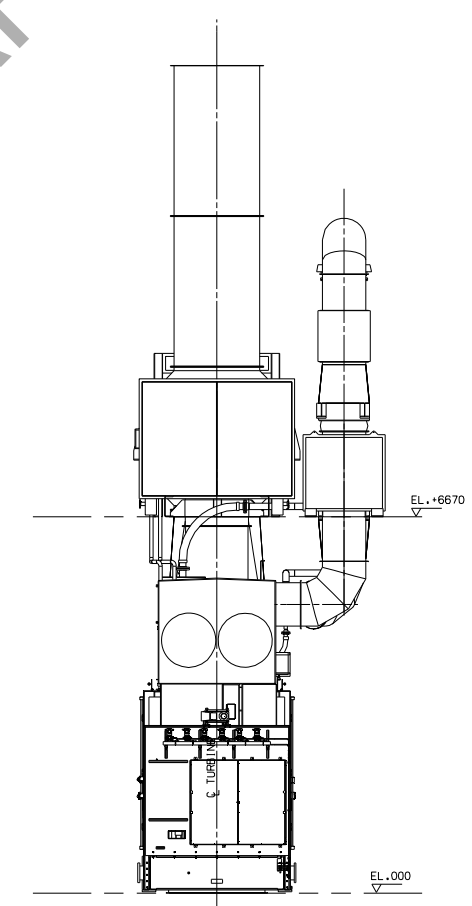
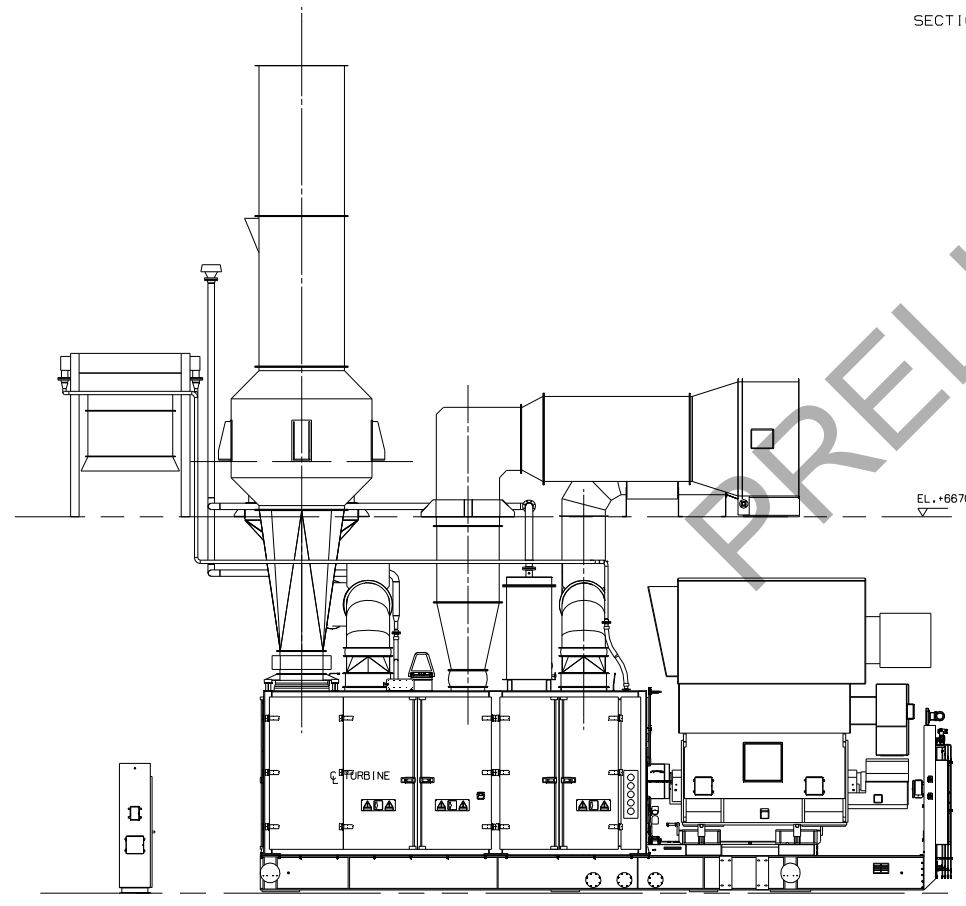


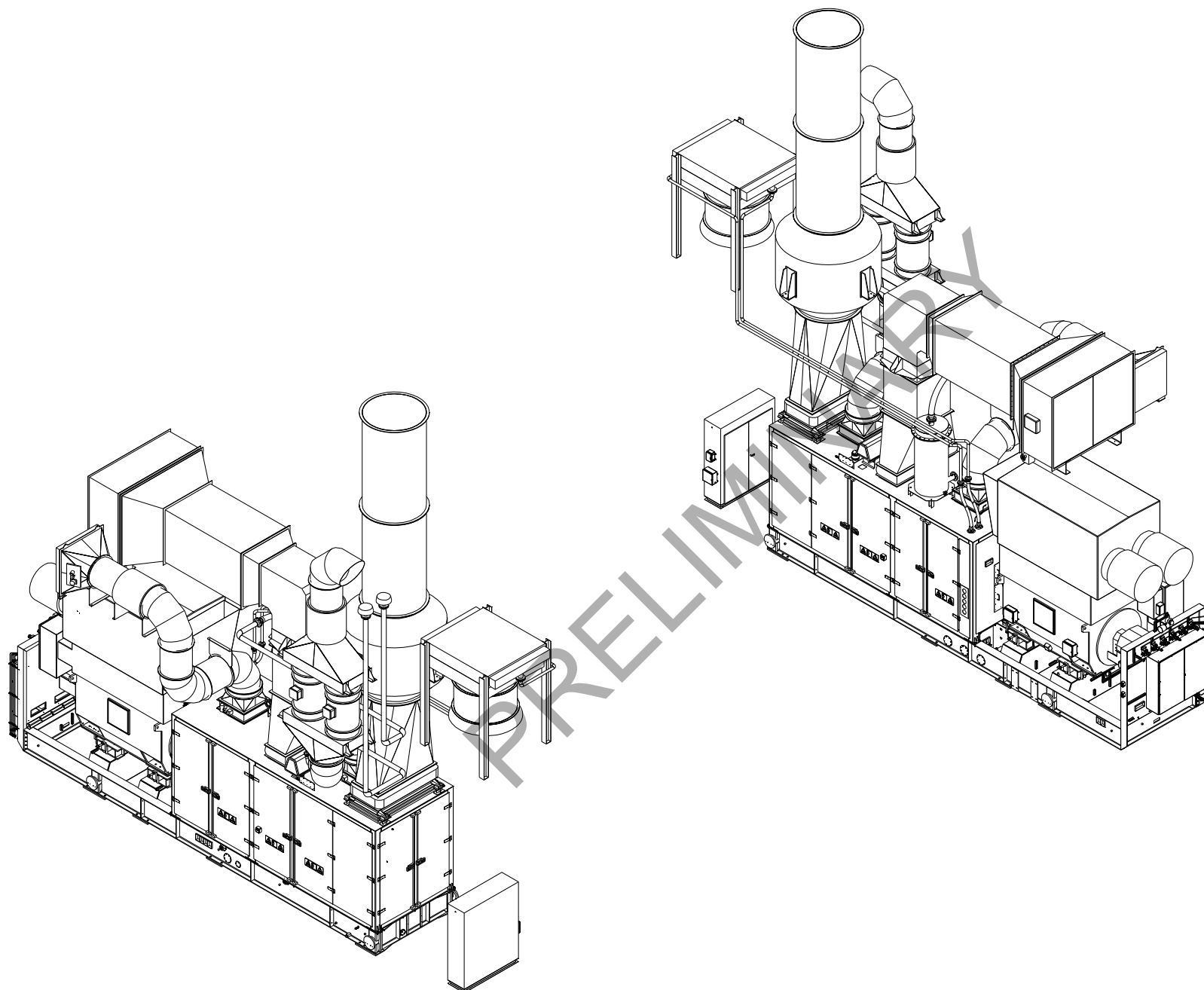
SECTION SC-SC



PRELIMINARY

3						
2						
1	11-6-11	R.A.W.	E	DRAWING ISSUED		1
SHT. NO.	DATE	INITIAL	A.C. OR G.FORM	DESCRIPTION	SHEET REVISED AT DRAWING ISSUE	*
ALTERNATION ISSUE NO. SHOWN ENCLOSED THUS Δ				LATEST ISSUE CANCELS ALL PREVIOUS ISSUES		
DRAWN	R.A.WARD		ORDER NO.			
CHECKED	RW					
DATE	11-6-11					
APPROVED:				CUSTOMER'S REFERENCE		
DRAUGHTING	RW					
DESIGN						
ENGINEER						
EXAMINED						
C.A.D. DRAWING						
THIRD ANGLE PROJECTION \oplus \leftarrow UNLESS OTHERWISE STATED						
SCALE 1 : 33.3 SCALE : METRES						
SIEMENS						
TITLE 1 -						
TYPICAL LAYOUT OF SGT-300 GENERATOR SET MULTI-POINT MOUNTED - OFFSHORE						
DRG. No.	RW01048A				SHT No.	2

FOR DRAWING ISSUE SEE SHEET 1



3						
2						
1	11-6-11	R.A.W.	E	PRELIMINARY ISSUE		1
SHT ISS	DATE	INITIAL	A, E OR G FORM	DESCRIPTION	SHEET REVISED AT DRAWING ISSUE	*
				ALTERNATION ISSUE NO. SHOWN ENCIRCLED THUS Δ	LATEST ISSUE CANCELS ALL PREVIOUS ISSUES	
DRAWN	R.A.WARD	ORDER NO.				
CHECKED	RAW					
DATE	11-6-11					
APPROVED:		CUSTOMER'S REFERENCE				
DRAUGHTING	RAW					
DESIGN						
ENGINEER						
EXAMINED						
THIRD ANGLE PROJECTION		C.A.D. DRAWING				
SCALE		UNLESS OTHERWISE STATED ALL DIMENSIONS IN MILLIMETRES				
SIEMENS						
TITLE 1 -						
TYPICAL LAYOUT OF SGT-300 GENERATOR SET MULTI-POINT MOUNTED - OFFSHORE						
DRG. No.	RWO1048A				SHT No.	3