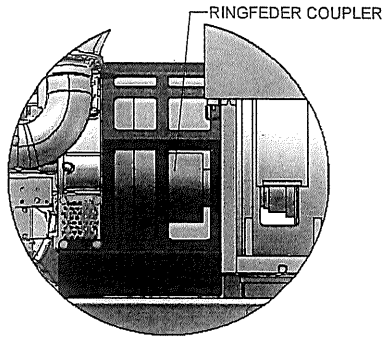
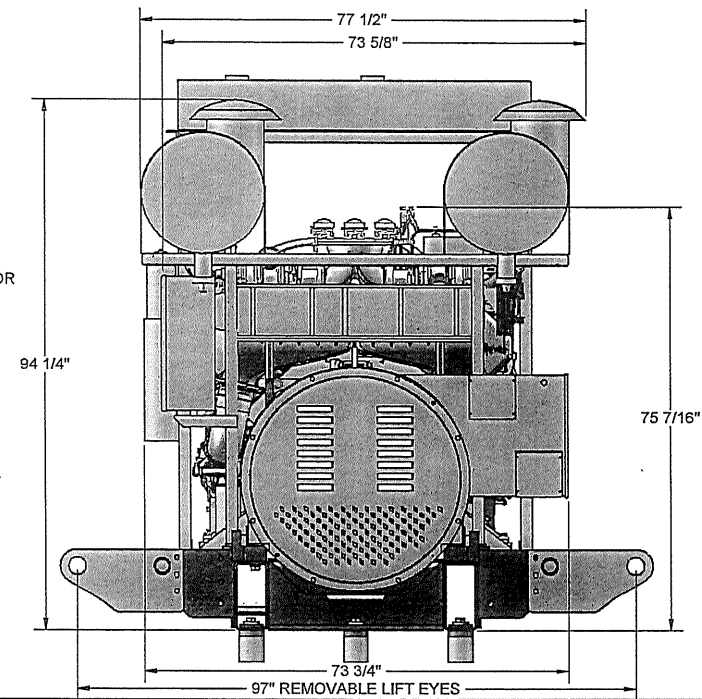
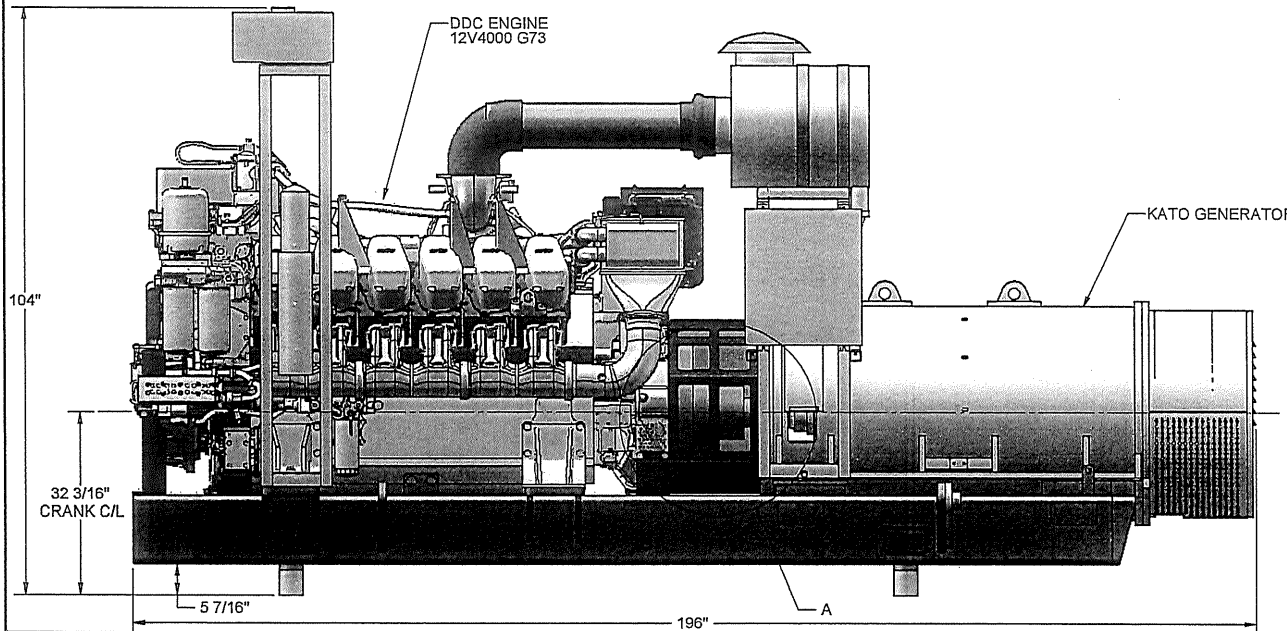
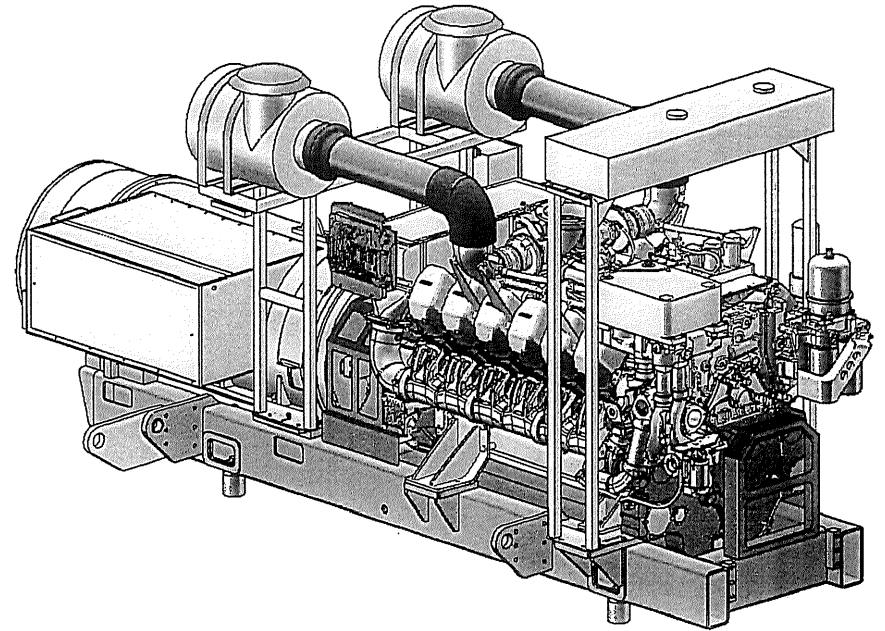
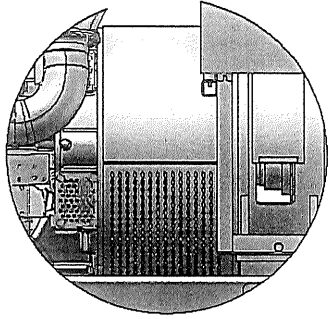


APPROX. UNIT WEIGHT: 35000 LB



VIEW 'A'
SCALE 1:12





VIEW 'A'
SCALE 1:12

