

Specification & Application Data

**POWERFORCE® Detroit Diesel Series Generator Sets for Oil & Gas Industry Applications:**

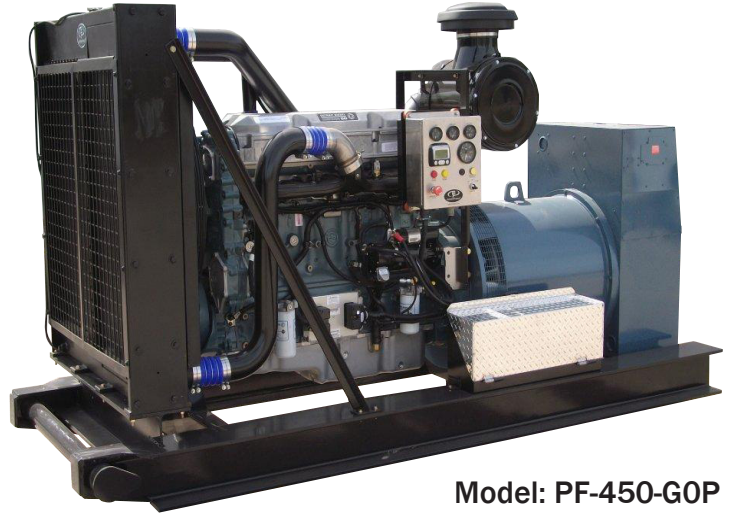
POWERFORCE® Oil & Gas industry generators are designed to meet the rugged demands of the Oil & Gas industry environment, from drilling to production.

Each model has been designed to provide reliable continuous power to typical Oil & Gas industry electrical loads. All models are extensively tested to ensure they meet the performance requirements of the industry.

POWERFORCE® generators are packaged in a purpose built generator assembly and test facility. Each set goes through a fully documented test procedure before leaving our plant.

Oil & Gas industry models utilize the Detroit Diesel engines governed to run at 1800 rpm for long life and durability.

All Oil & Gas industry generators are designed and packaged as Prime Power Rated sets. See ratings below for prime power kW.



**Model: PF-450-GOP**

Photo depicts a typical model but may not include certain options

Voltage	Phase	Starting skVA (30% voltage dip)	PF	Prime	
				kW	kVA
277/480	3	TBA	0.8	450	563
347/600	3	TBA	TBA	TBA	TBA

**Rating Data of Oil & Gas Industry Generators:**

**Prime** - Prime ratings are applicable for supplying continuous power with a 105°C alternator temperature rise.

Engine Specifications	
Manufacturer	Detroit Diesel Series 60
Engine Model (Displacement liters)	6063-HV35 (14.0 L)
Type	Diesel 4-cycle; Direct Injection
Number of cylinders & arrangement	In-line 6
Aspiration	Turbocharged
Nominal horse power	685 hp
Speed	1800 rpm
Radiator ambient rating F° (C°)	122° (55°)
Alternator Specifications	
Manufacturer Options	Marathon Max Model 572RSL4025
Type	Brushless 4-pole
Voltages (3 Phase Wye)	277/480V
Power Factor	0.80
Insulation	Class H
Winding Temperature Rise (Prime)	105°C
Bearing	Single-bearing
Skid Design	
Base - structural I-beam	Heavy duty powder coated
Coupling	Direct drive

Starting	
Voltage	24 V Starter and 70A Alternator
Batteries	2-Group 31
Cold cranking amps	950 each
Reserve Capacity	34 minutes
Starting current amps	1140
Battery enclosure	Fully enclosed rail mounted
Standard Accessories	
Fuel Filtration	Engine mounted
Air filter System	Single Stage replaceable filter
Optional equipment available	
Block Heater	Kim Hotstart 6000W; 7.2A; 480V
Starting	Air Starter
Shutdown	Emergency air shut down system
Circuit Breaker	Supplied to suit application
Charging	24 V Automatic battery charger
Generator End	600V 3-phase 60Hz
Batteries	Extra set of batteries with enclosure
Exhaust	Mild steel with Cowl silencer



**PowerForce Standard Control Panel:**

The **POWERFORCE®** control box was developed specifically for rugged environments such as the Oil & Gas market that require very robust control systems.

The control box has the capability to control the generator set manually, remotely or automatically.

**Standard specification includes:**

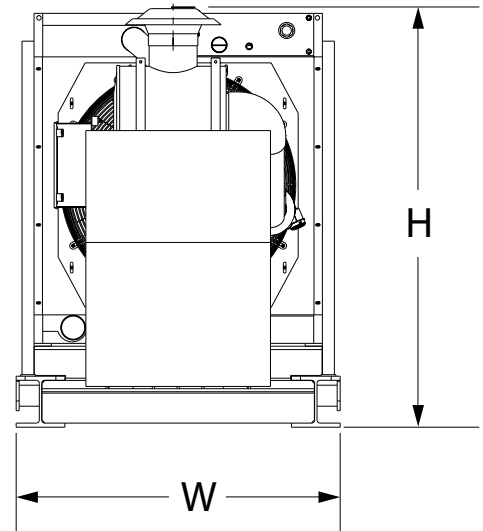
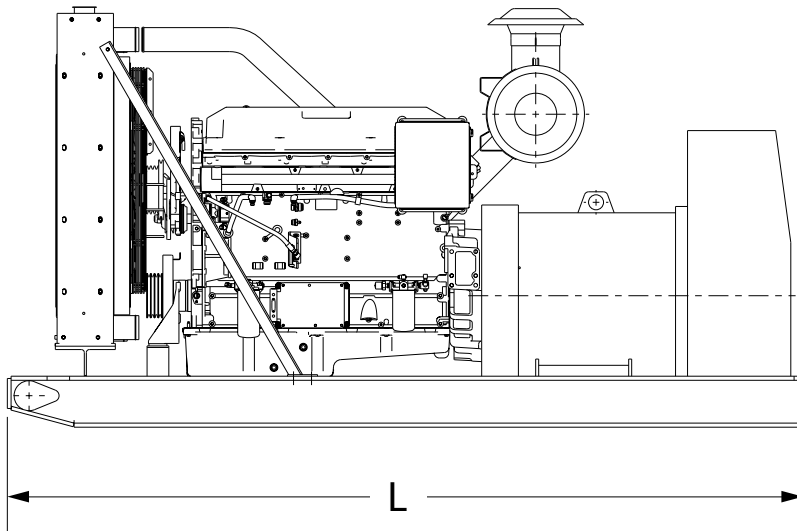
- Stainless Steel NEMA 4 type Box
- Analog gauges for oil pressure, coolant temperature, battery voltage, and engine speed
- Yellow and red engine alarm lights
- Murphy PowerView display for several custom engine parameters and engine diagnostic codes
- Remote input capable controller

**Available control panel & electrical options:**

- Line circuit breaker
- Battery charger
- Idle switch

**Model: PF-450-GOP Open Set**

**key dimensions and sound levels**



Fuel Tank Data (if supplied)		Generator Set Dimensions * (All dimensions are in inches and are approximate)				
Run Time Hours	Capacity (Gals)	L = Length	W = Width	H = Height	Weight lbs	dBA
N/A	N/A	133"	54"	71"	8,620 dry	86

\* All measurements are approximate and for estimation purposes only. Weights are without fuel tank. Sound levels measured at 23ft (7m) and does not account for ambient site conditions.

**POWERFORCE® Generator Sets comply with applicable codes and standards**



All data subject to change without notice. The information in this white-page specification is believed to be accurate but all recommendations are made without warranty, since the conditions of use are beyond Central Power Systems & Services control. Central Power Systems & Services disclaims any liability in connection with the use of this information, and does not warrant against infringement by reason of the use of any of its products in combination with other material or in any process. Central Power Systems & Services warrants only that the product complies with specifications agreed to in contracts of sale. Central Power Systems & Services reserves the right to change any of the technical information and data detailed in this paper.



[www.powerforce.com](http://www.powerforce.com)

**POWERFORCE® - The right generator for the job**

© 2013 POWERFORCE® a registered brand of Central Power Systems & Services. All rights reserved. Specifications are subject to change without notice.