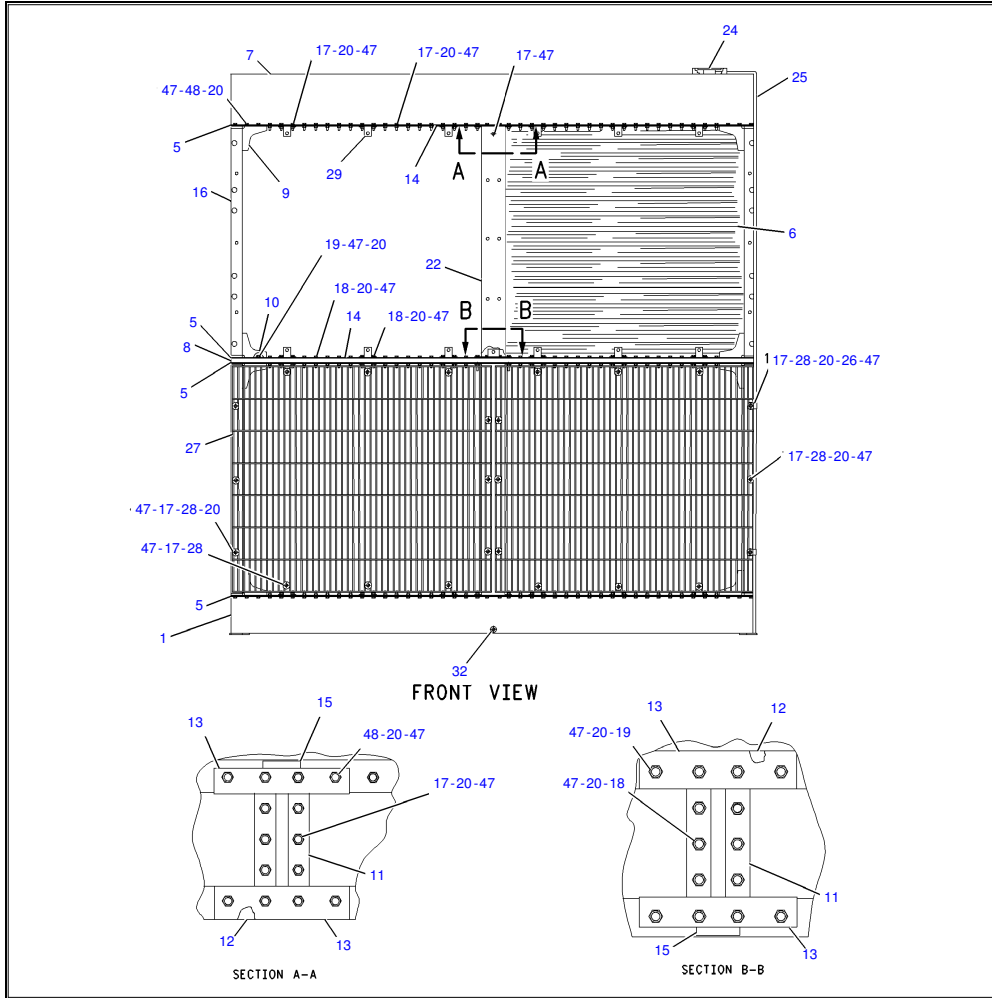
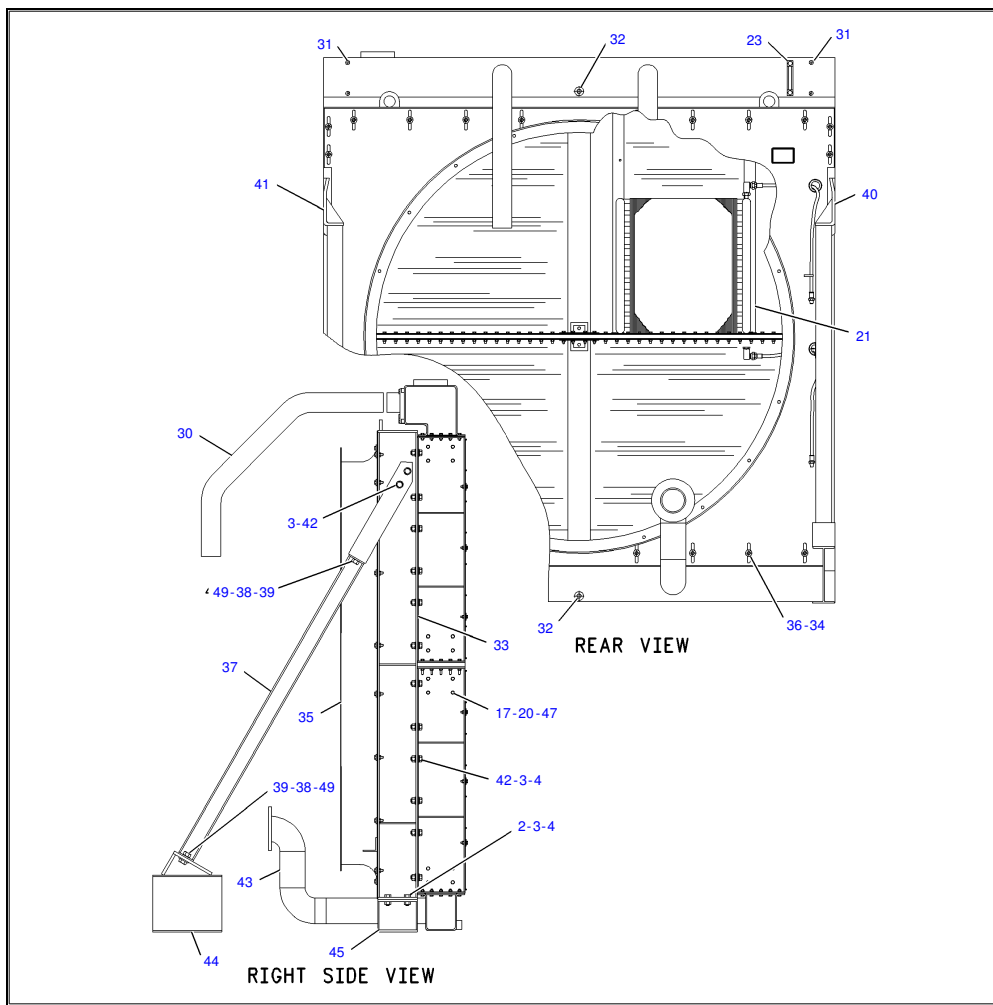


### Service Information System



GRAPHIC #1  
g00874041



GRAPHIC #2  
g00874060

**3512 Generator Set Oil Field Land Rig**

i02657721

**127-8525 RADIATOR GP**  
**S/N PTG1-UP**  
**46-CV**  
**PART OF 127-8526, 254-8733 RADIATOR GP**  
**AN ATTACHMENT**

**ENTIRE GROUP**

Ref. Qty.	NPR Note	Part No.	Part Name
Grp <input type="text"/>	<u>NPR</u>	<b>127-8525</b>	RADIATOR GP

**INDIVIDUAL PARTS**

Ref. Qty.	NPR Note	GR#	Part No.	Req. Qty.	Part Name
1	<u>NPR</u>	1	9Y-5985	1	TANK AS-BOTTOM
2	<u>NPR</u>	2	7X-0345	4	BOLT (5/8-11X1.75-IN)
3	<u>NPR</u>	2	8T-4122	60	WASHER-HARD (17X32X3.5-MM THK)

4	<a href="#">NPR</a>	2	7X-0448	28	NUT (5/8-11-THD)
5	<a href="#">NPR</a>	1	9Y-5992	8	GASKET-RADIATOR CORE
6	<a href="#">NPR</a>	1	9Y-5983	4	CORE AS-RADIATOR
7	<a href="#">NPR</a>	1	9Y-5984	1	TANK AS-TOP
8	<a href="#">NPR</a>	1	9Y-5986	1	TANK AS-CENTER
9	<a href="#">NPR</a>	1	9Y-6003	8	BRACKET-CORNER
10	<a href="#">NPR</a>	1	9Y-6004	8	BRACKET-CORNER
11	<a href="#">NPR</a>	1	9Y-5994	8	PLATE-WASHER
12	<a href="#">NPR</a>	1	9Y-5995	4	PLATE-WASHER
13	<a href="#">NPR</a>	1	9Y-5996	8	PLATE-STRAP
14	<a href="#">NPR</a>	1	9Y-5997	16	PLATE-WASHER
15	<a href="#">NPR</a>	1	9Y-5998	4	BRACKET-WASHER
16	<a href="#">NPR</a>	1	9Y-5987	4	CHANNEL AS-SIDE
17	<a href="#">NPR</a>	1,2	4M-6425	260	BOLT (5/16-18X1-IN)
18	<a href="#">NPR</a>	1	8T-8911	76	BOLT (5/16-18X2-IN)
19	<a href="#">NPR</a>	1	8T-8912	28	BOLT (5/16-18X2.25-IN)
20	<a href="#">NPR</a>	1,2	6V-8189	356	NUT (5/16-18-THD)
21	<a href="#">NPR</a> Y	2	<a href="#">7E-6681</a>	1	COOLER GP-FUEL
22	<a href="#">NPR</a>	1	9Y-5991	2	SPACER AS-CORE
23	<a href="#">NPR</a>	2	9Y-5993	1	GAUGE GP-SIGHT (COOLANT LEVEL)
24	<a href="#">NPR</a>	1	6L-8617	1	CAP-PRESSURE (7-PSI) (RADIATOR)
25	<a href="#">NPR</a> E	1	5P-1420		HOSE (274-CM)
26	<a href="#">NPR</a>	1	9F-2947	4	CLIP
27	<a href="#">NPR</a>	1	9Y-5990	4	GUARD AS-CORE
28	<a href="#">NPR</a>	1	9Y-6007	48	WASHER-FLANGE
29	<a href="#">NPR</a>	1	9Y-6005	24	BRACKET AS-GUARD
30	<a href="#">NPR</a>	2	9Y-6006	2	TUBE AS-UPPER
31	<a href="#">NPR</a>	2	8T-6765	4	PLUG-PIPE
32	<a href="#">NPR</a>	1,2	8T-6761	3	PLUG-PIPE
33	<a href="#">NPR</a>	2	7E-5576	1	BOX AS-PLENUM
34	<a href="#">NPR</a>	2	8T-2561	32	WASHER-HARD (10.5X28.5X5-MM THK)
35	<a href="#">NPR</a>	2	7E-9507	1	PLATE-ORIFICE
36	<a href="#">NPR</a>	2	9B-7237	32	BOLT (3/8-16X1.25-IN)
37	<a href="#">NPR</a>	2	150-4153	2	BRACE AS
38	<a href="#">NPR</a>	2	8T-9397	4	BOLT (3/4-10X1.25-IN)
39	<a href="#">NPR</a>	2	8T-4994	4	WASHER-HARD (20X36.5X3.5-MM THK)
40	<a href="#">NPR</a>	2	7E-5574	1	BRACKET

41	<u>NPR</u>	2	7E-5575	1	BRACKET
42	<u>NPR</u>	2	8T-9393	28	BOLT (5/8-11X1.5-IN)
43	<u>NPR</u>	2	127-8522	1	ELBOW AS
44	<u>NPR</u>	2	127-8523	1	BRACKET AS
45	<u>NPR</u>	2	127-8524	1	BRACKET AS
47	<u>NPR</u>	1,2	7H-3937	752	LOCKWASHER (EXTERNAL TOOTH)
48	<u>NPR</u>	1	8C-6561	32	BOLT (5/16-18X1.375-IN)
49	<u>NPR</u>	2	6V-8182	4	NUT (3/4-10-THD)

Key:

E - ORDER BY THE CENTIMETER  
Y - SEPARATE ILLUSTRATION

SMCS Codes		
1353		

-