

ITEM CALL-OUT

- 01 - CENTERLINE OF CRANKSHAFT
- 02 - CENTERLINE OF UNIT
- 03 - REAR FACE OF CYLINDER BLOCK
- 98 - CAT 1750 KW CAT GENERATOR
- 99 - CAT 3516 DITA ENGINE

- △ 101 - RADIATOR DRAIN - 3/4" NPT CPLG. W/INLINE BALL VALVE
- 103 - RADIATOR FILL WITH 7# PRESSURE CAP
- △ 199 - CAT PRIMARY FUEL FILTER - #8N6435
- 200 - FUEL TANK OVERFLOW - 1" NPT W/PLUG
- △ 201 - MANUAL FUEL TANK FILL - 2" STAND PIPE W/CAP
- 202 - FUEL TANK DRAIN - 1" NPT W/PLUG
- 204 - FUEL TANK BASE - 1,000 GALLON CAPACITY
- 205 - ROCHESTER FUEL TANK LEVEL GAUGE
- 206 - ENGINE FUEL COOLER (RADIATOR MOUNTED)
- △ 207 - LOW FUEL LEVEL ALARM SWITCH
- △ 208 - FUEL IN RUPTURE BASIN ALARM SWITCH
- △ 209 - RUPTURE BASIN /FUEL TANK VENT - 2" NPT W/GOOSENECK
- △ 210 - FUEL HEATER (20B VAC, 1500 W, 240 VAC RATED)
- 304 - RUPTURE BASIN DRAIN - 1" NPT. W/PLUG
- △ 305 - ENGINE OIL DRAIN - 2" NPT W/INLINE BALL VALVE
- 306 - KENCO 15 GALLON LUBE OIL TANK W/STAND
- 307 - OIL LEVEL REGULATOR W/ 1/2" STD. PIPE TAPINLET CONN.
- 402 - ENGINE EXHAUST FLANGE (1 EACH SIDE OF ENGINE)
- 403 - CRANKCASE BREATHER OUTLET - 2" DIA. PIPE W/GOOSENECK
- △ 404 - 6T #10-11-818-S, TYPE II, STAINLESS CORRUGATED EXHAUST FLEX (2-REQ'D.)
- 406 - 10" RAIN CAP
- 407 - RAIN GUARD
- △ 408 - 6T #201-5110-3X 10" EXHAUST SILENCER (CRITICAL GRADE, SIDE INLET, SIDE OUTLET)
- 409 - EXHAUST SILENCER MOUNTING BRACKET
- 504 - DUAL STARTING MOTORS - 24 VDC
- 505 - 120 AC JUNCTION BOX (NEMA 4X) FIBERGLASS (10" H X 8" L X 6" W)
- 506 - D.C. JUNCTION BOX (NEMA 4X) FIBERGLASS (10" H X 8" L X 6" W)
- 507 - 24 VDC BATTERY SET, 2-8D W/RACK & TIE-DOWN STRAPS
- 600 - SEMCO ACOUSTICAL GENERATOR SET ENCLOSURE
- 601 - INTAKE SILENCER W/FIXED WEATHER LOUVERS & BIRDSCREEN
- 602 - DISCHARGE SILENCER W/FIXED WEATHER LOUVERS & BIRDSCREEN
- 603 - ENCLOSURE DOUBLE DOOR (72"W X 79"H, 1 EACH SIDE)
- 604 - ENCLOSURE SINGLE DOOR (36"W X 79"H, 1 REQ'D.)
- 605 - (2) INCANDESCENT LIGHTS (WALL MOUNTED) W/2 LIGHT SWITCHES (LIGHT SWITCHES (1 EA. SIDE) TO BE LOCATED AT THE ENCLOSURE DOUBLE DOORS)
- 703 - SKID FOUNDATION MOUNTING BOLTHOLES (7/8" DIA., 4 EACH SIDE)
- 705 - ISOLATOR PADS (1" H X 8" L X 4" W) (5 EACH SIDE OF GENERATOR SET)
- 801 - LIFTING EYE W/2" DIA. 2 EACH SIDE OF SKID
- △ 802 - EMCP II GENERATOR MOUNTED CONTROL & MONITORING PANEL (NEMA 12)
- 900 - GENERATOR TERMINAL BOX
- 902 - CUSTOMER CABLE/CONDUIT STUB-UP ENTRY THRU BOTTOM OF FUEL TANK SKID
- △ 903 - CABLE/CONDUIT STUB-UP PLENUM
- △ 904 - PYROMETER
- 925 - CIRCUIT BREAKER - 3000 AMP, NEMA 12 ENCL., W/MANUAL OPER. HANDLE AND SHUNT TRIP
- △ 926 - JACKET WATER HEATER (20B VAC., 3 KW, 1φ, 60 HZ), (1 EACH SIDE), (240 V RATED)
- △ 927 - DISTRIBUTION PANEL, 18" T X 12" W X 6" D
- 929 - PARAPET
- △ 933 - BATTERY CHARGER (INPUT - 20B VAC, 1φ, 60 HZ) (OUTPUT - 10 AMP, 24 VDC)

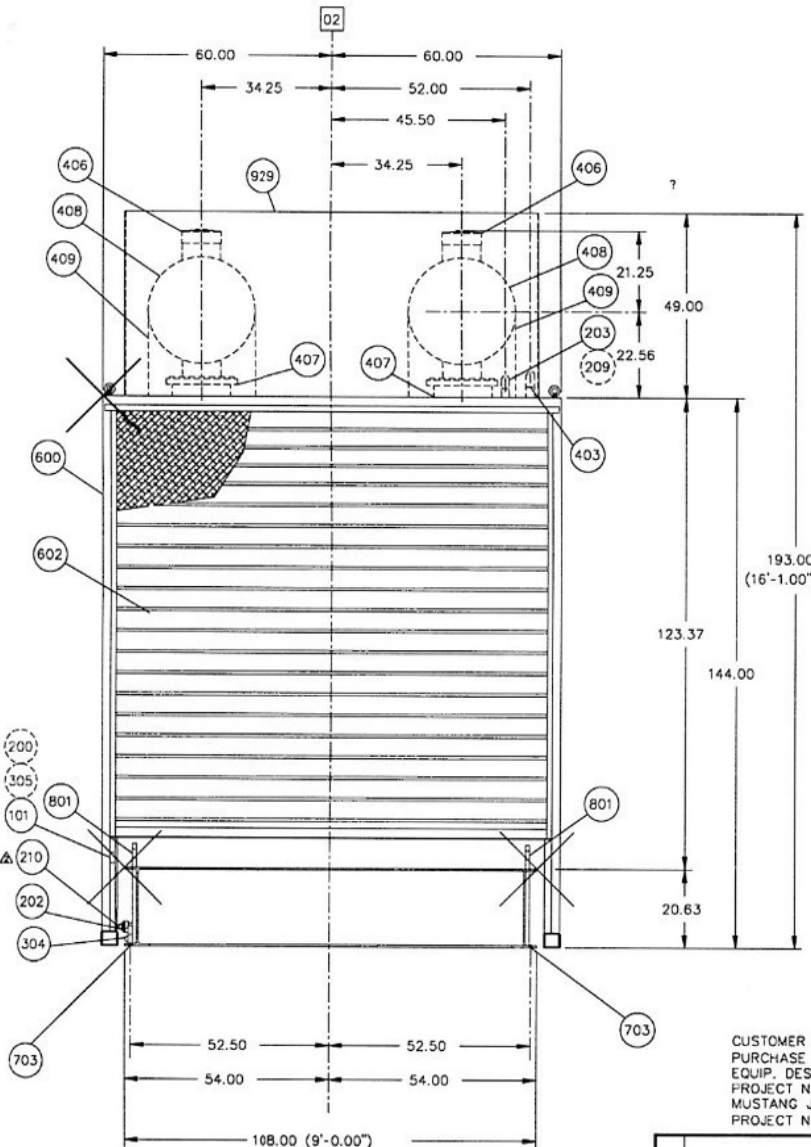
NOTES

1. ESTIMATED WEIGHT OF UNIT: DRY: 58,893#
WET: 68,303#
2. SHIP LOOSE ITEMS:
 - 1 - SET OF LITERATURE
 - △ 1 - SEMCO UNIT ENCLOSURE
 - △ 2 - 6T #201-5110-3X, 10" EXHAUST SILENCER W/RAINCAP (CRITICAL GRADE, SIDE INLET, SIDE OUTLET)
 - 2 - SET OF EXHAUST SILENCER MOUNTING BRACKETS
 - 1 - BOX OF EXHAUST GASKETS AND BOLTING HARDWARE
 - 2 - 55 GALLON DRUMS OF LUBE OIL
 - 12 - 5 GALLON CONTAINERS OF ETHYLENE GLYCOL (COOLANT)
 - △ 1 - CAT #7C5296 (REMOTE) ANNUNCIATOR PANEL (MODIFIED)
 - △ 1 - 1 GALLON CAN OF TOUCH-UP PAINT (COLOR-CAT YELLOW) (COLOR-SEMCO WHITE)
 - △ 1 - EMERGENCY STOP BREAK GLASS STATION
 - △ 1 - TRANSFORMER, 30 KVA, DRY TYPE, 3 PHASE, 480: 208/120V, DELTA TO WYE, 23" T X 22.3 W X 15" D, (SUPPLIED BY ENRON WITH ALL ITEMS PREWIRED TO THE DISTRIBUTION PANEL)
- △ 3. EXHAUST SYSTEM ON INSIDE OF ENCLOSURE TO BE FLEXIBLE BLANKET-WRAP:
 - ENGINE EXHAUST MANIFOLDS
 - ENGINE TURBO OUTLET FLANGES
 - ENGINE FLEXIBLE FITTING
 - CALCIUM SILICATE W/METAL COVER:
 - △ VERTICAL EXHAUST SPOOL PIPE W/ELBOWS
4. ESTIMATED FUEL TANK CAPACITY - 1,000 U.S. GALLONS.
- △ 5. UNIT FINISH COAT TO BE SEMCO (COLOR WHITE)

TOLERANCES:
UNLESS OTHERWISE SPECIFIED
PIPING AND STRUCTURAL
FRACTIONAL DIMENSIONS ± 1/2"

PROPRIETARY RIGHTS ARE INCLUDED IN THE INFORMATION DISCLOSED HEREIN. NEITHER THIS DOCUMENT NOR THE INFORMATION DISCLOSED HEREIN SHALL BE REPRODUCED OR TRANSFERRED TO OTHER DOCUMENTS OR USED OR DISCLOSED TO OTHERS FOR MANUFACTURING OR FOR ANY PURPOSE EXCEPT AS SPECIFICALLY AUTHORIZED IN WRITING BY MUSTANG POWER SYSTEMS.

CUSTOMER NAME: ENRON PROPERTY COMPANY
PURCHASE ORDER NO.: LETTER OF INTENT
EQUIP. DESC.: CAT 3516 DITA (1600 KW) GENERATOR SET
PROJECT NAME: ENRON OFFICE BUILDING NEW STANDBY GENERATOR
MUSTANG JOB NO.: 10849
PROJECT NO.: 90065.150 (ENRON #1P94-413-235)



FRONT VIEW

			SCALE: 1/2"=1'	DRAWN BY: GPH
			DATE: 8-18-94	S.O. NO.: 10849
2	AS BUILT	11-14-94	GPH	OUTLINE & INSTALLATION CATERPILLAR 3516 DITA W/1750 KW CAT GENERATOR
1	PER ENGINEER REQUEST	10-31-94	GPH	
0	FOR APPROVAL	8-18-94	GPH	
NO.	REVISION	DATE	BY	CUSTOMER: ENRON PROPERTY Co. P.O. NUMBER: #1P94-413-235 DRAWING NO.: 10849A01