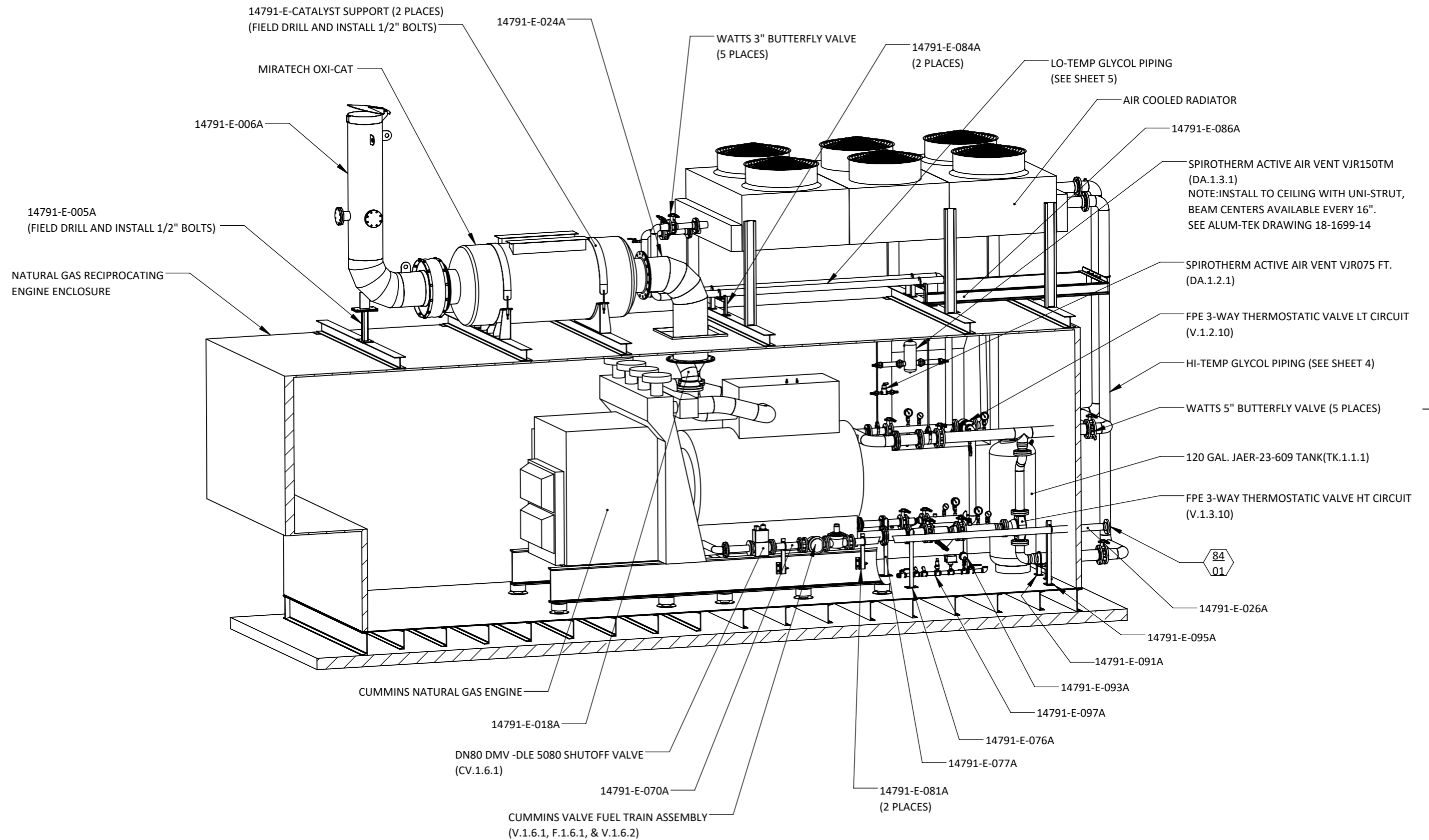


NOTES:
PIPE SUPPORTS TO BE FIELD DRILLED AND INSTALL 1/2" BOLT



PROPRIETARY AND CONFIDENTIAL
THE INFORMATION CONTAINED IN THIS DRAWING IS THE SOLE PROPERTY OF AirClean Technologies. ANY REPRODUCTION IN PART OR AS A WHOLE WITHOUT THE WRITTEN PERMISSION OF AirClean Technologies IS PROHIBITED.

COMMENTS:
FOR INFORMATION

DRAWN BY: TC		DATE: 10/22/2018	CUSTOMER: COLUMBIA PULP LLC
CHK'D. BY: -		DATE: -	USER: COLUMBIA PULP LLC
APP. BY: DC		DATE:	MANUFACTURER: AIRCLEAN ENERGY
REV	DESCRIPTION:	DATE:	SCALE: 1:96
A	INFORMATION	10/22/2018	DIMENSIONS ARE IN INCHES
DO NOT SCALE DRAWING			

AirClean ENERGY
www.aircleanenergy.com

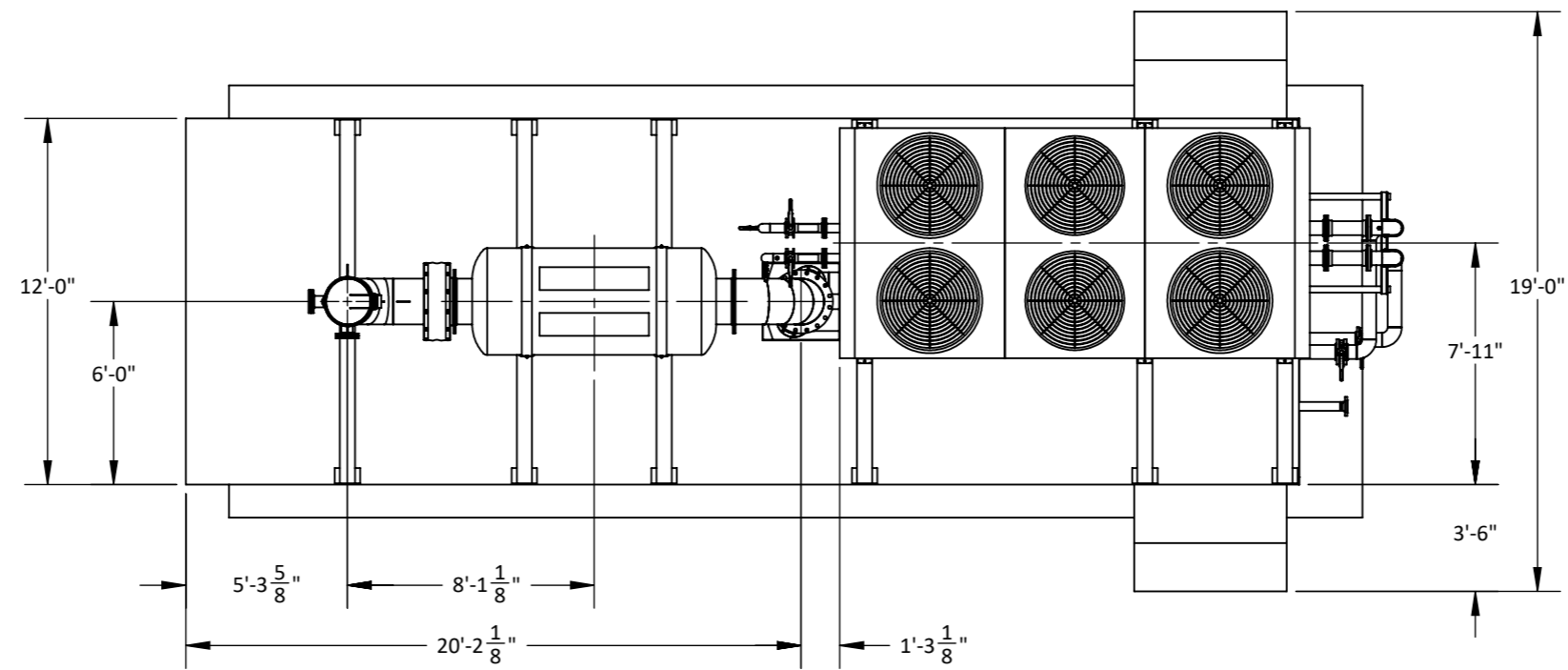
4725 W. Marginal Way S.W. Phone: (206) 860-4930
Seattle, WA 98106 Fax: (206) 860-4982

PROJECT: **LYONS FERRY STRAW PULP POWER ISLAND**

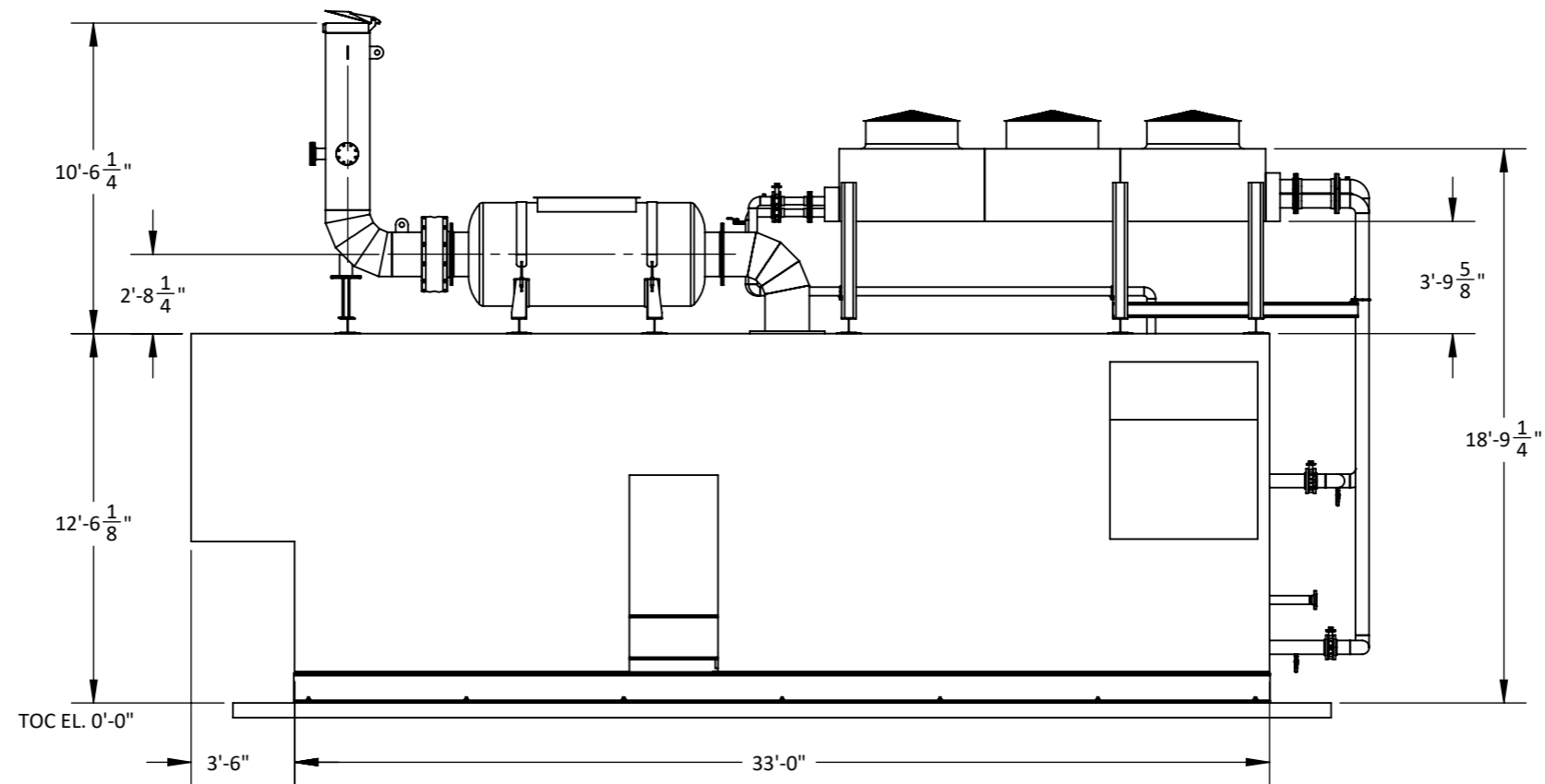
TITLE: **RECIP ENGINE FIELD ASSEMBLY**

DWG NO. **14791-E-INS**

REV. **A**
SHEET **1** / **7**



PLAN VIEW - EL. 0'-0"



ENGINE ENCLOSURE - ELEVATION

PROPRIETARY AND CONFIDENTIAL
 THE INFORMATION CONTAINED IN THIS DRAWING IS THE SOLE PROPERTY OF AirClean Technologies. ANY REPRODUCTION IN PART OR AS A WHOLE WITHOUT THE WRITTEN PERMISSION OF AirClean Technologies IS PROHIBITED.

COMMENTS:
FOR INFORMATION

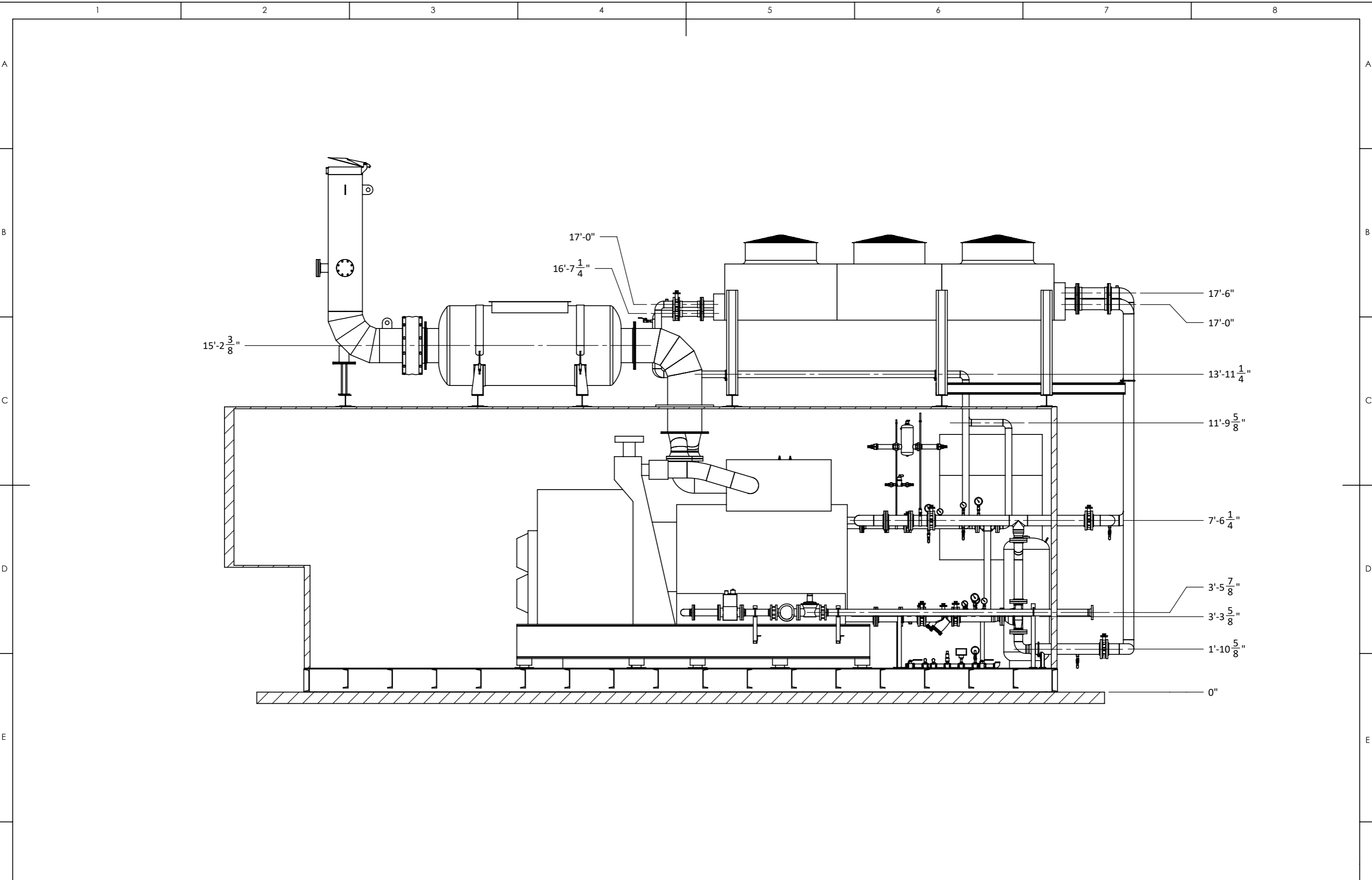
DRAWN BY:	TC	DATE:	10/22/2018	CUSTOMER:	COLUMBIA PULP LLC
CHK'D. BY:	-	DATE:	-	USER:	COLUMBIA PULP LLC
APP. BY:	DC	DATE:		MANUFACTURER:	AIRCLEAN ENERGY
REV	DESCRIPTION:	DATE:		SCALE:	1:64
A	INFORMATION	10/22/2018		DIMENSIONS ARE IN INCHES	
DO NOT SCALE DRAWING					



AirClean ENERGY
 www.aircleanenergy.com
 4725 W. Marginal Way S.W. Phone: (206) 860-4930
 Seattle, WA 98106 Fax: (206) 860-4982

PROJECT:	LYONS FERRY STRAW PULP POWER ISLAND
TITLE:	RECIP ENGINE FIELD ASSEMBLY
DWG NO.:	14791-E-INS

REV.	A
SHEET	2
	7



PROPRIETARY AND CONFIDENTIAL
 THE INFORMATION CONTAINED IN THIS DRAWING IS THE SOLE PROPERTY OF AirClean Technologies. ANY REPRODUCTION IN PART OR AS A WHOLE WITHOUT THE WRITTEN PERMISSION OF AirClean Technologies IS PROHIBITED.

COMMENTS:
FOR INFORMATION

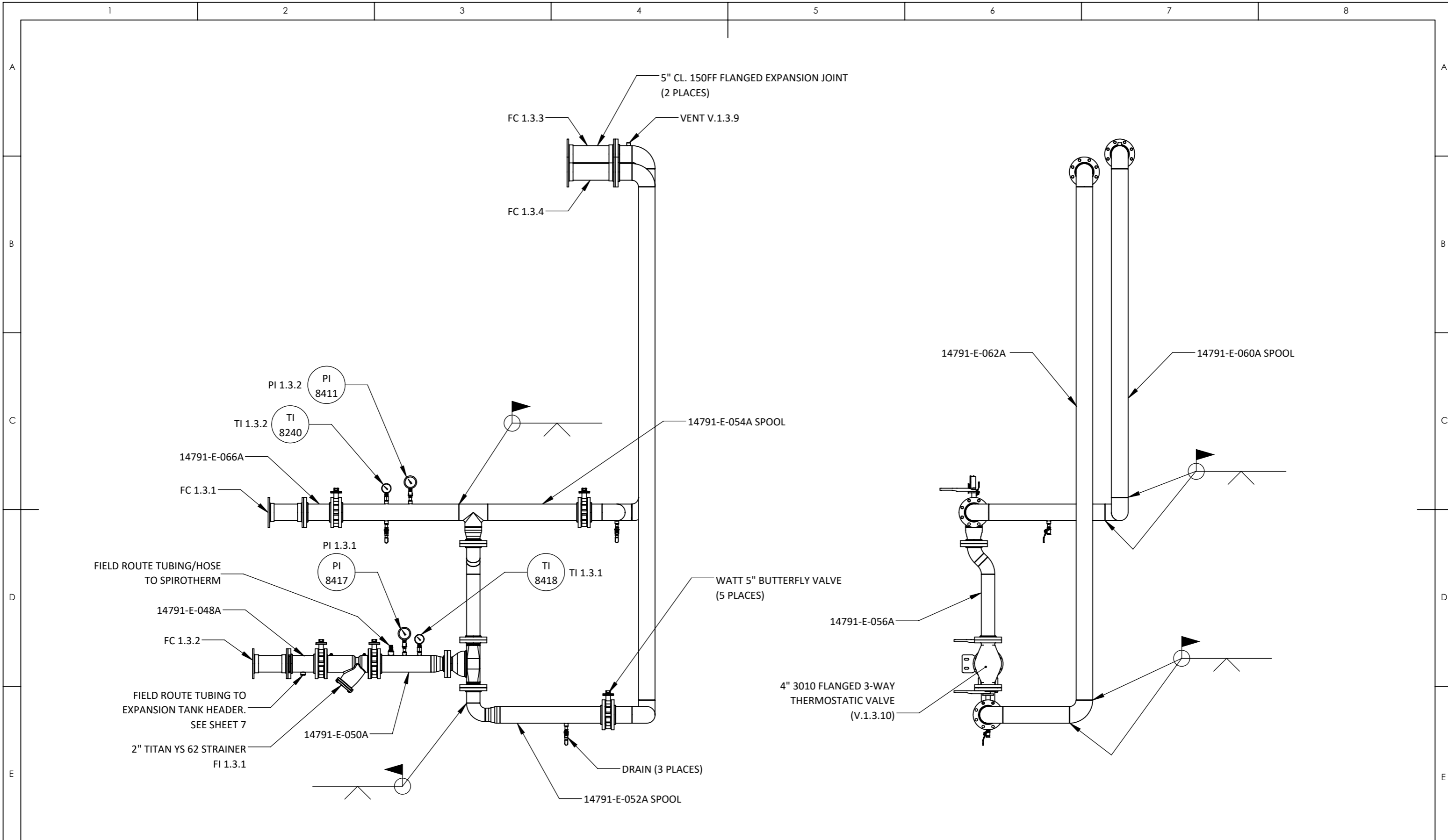
DRAWN BY: TC		DATE: 10/22/2018		CUSTOMER: COLUMBIA PULP LLC	
CHK'D. BY: -		DATE: -		USER: COLUMBIA PULP LLC	
APP. BY: DC		DATE:		MANUFACTURER: AIRCLEAN ENERGY	
REV	DESCRIPTION:	DATE:	SCALE: 1:96		
A	INFORMATION	10/22/2018	DIMENSIONS ARE IN INCHES		
DO NOT SCALE DRAWING					



AirClean ENERGY
 www.aircleanenergy.com
 4725 W. Marginal Way S.W. Phone: (206) 860-4930
 Seattle, WA 98106 Fax: (206) 860-4982

PROJECT:	LYONS FERRY STRAW PULP POWER ISLAND
TITLE:	RECIP ENGINE FIELD ASSEMBLY
DWG NO.	14791-E-INS

REV.	A
SHEET	3
	7



NOTE:
2" OF FIELD TRIM IS INCLUDED AT EACH FIELD WELD LOCATION

HI-TEMP GLYCOL PIPING

PROPRIETARY AND CONFIDENTIAL
THE INFORMATION CONTAINED IN THIS DRAWING IS THE SOLE PROPERTY OF AirClean Technologies. ANY REPRODUCTION IN PART OR AS A WHOLE WITHOUT THE WRITTEN PERMISSION OF AirClean Technologies IS PROHIBITED.

COMMENTS:
FOR INFORMATION

DRAWN BY:	TC	DATE:	10/22/2018	CUSTOMER:	COLUMBIA PULP LLC
CHK'D. BY:	-	DATE:	-	USER:	COLUMBIA PULP LLC
APP. BY:	DC	DATE:		MANUFACTURER:	AIRCLEAN ENERGY
REV	DESCRIPTION:	DATE:	SCALE:	1:96	
A	INFORMATION	10/22/2018	DIMENSIONS ARE IN INCHES		
DO NOT SCALE DRAWING					

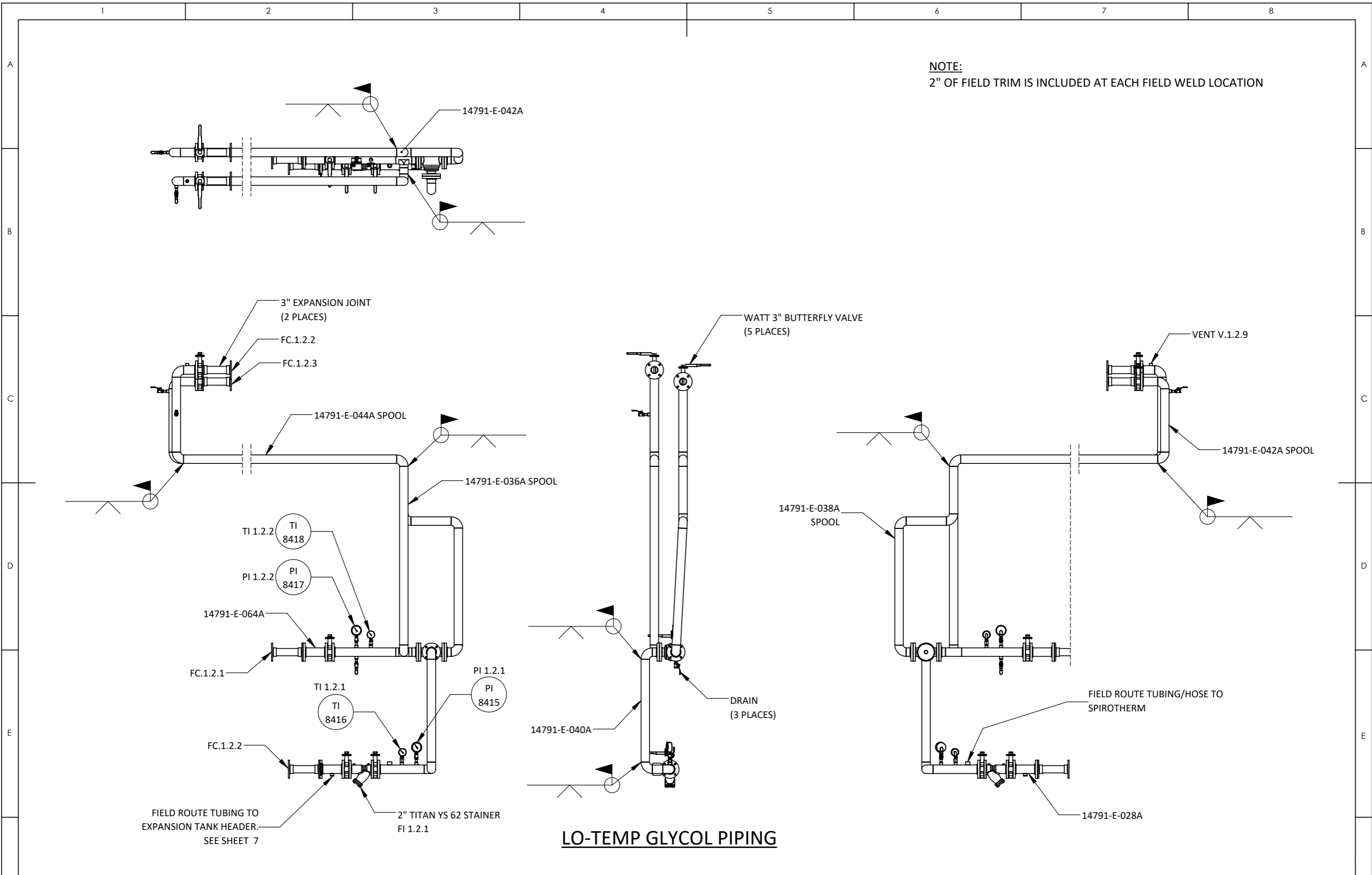


AirClean ENERGY
www.aircleanenergy.com

4725 W. Marginal Way S.W. Phone: (206) 860-4930
Seattle, WA 98106 Fax: (206) 860-4982

PROJECT:	LYONS FERRY STRAW PULP POWER ISLAND
TITLE:	RECIP ENGINE FIELD ASSEMBLY
DWG NO.	14791-E-INS

REV.	A
SHEET	4
	7



PROPRIETARY AND CONFIDENTIAL

THE INFORMATION CONTAINED IN THIS DRAWING IS THE SOLE PROPERTY OF AirClean Technologies. ANY REPRODUCTION IN PART OR AS A WHOLE WITHOUT THE WRITTEN PERMISSION OF AirClean Technologies IS PROHIBITED.

COMMENTS:
FOR INFORMATION

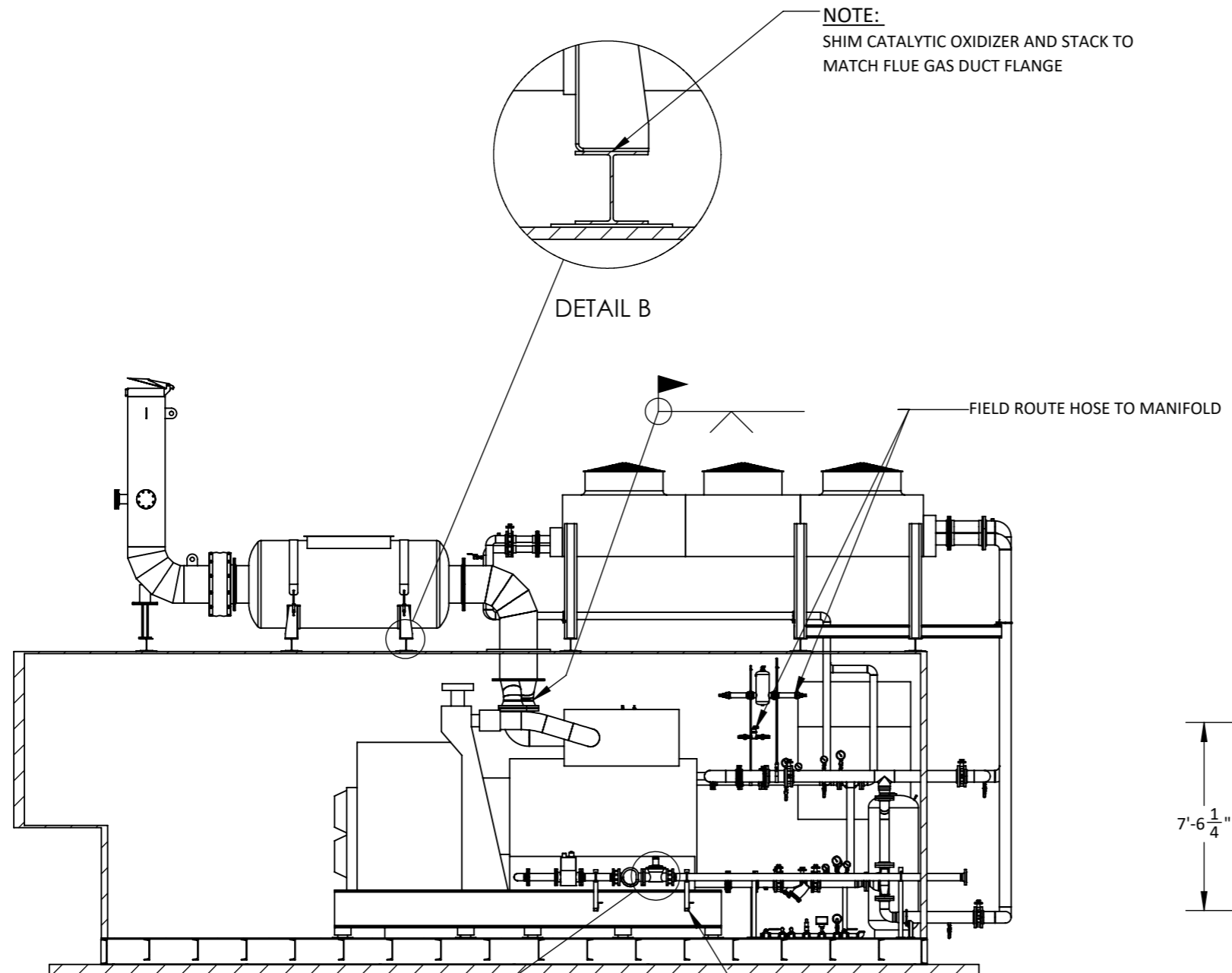
DRAWN BY: TC		DATE: 10/22/2018		CUSTOMER: COLUMBIA PULP LLC	
CHK'D. BY: -		DATE: -		USER: COLUMBIA PULP LLC	
APP. BY: DC		DATE:		MANUFACTURER: AIRCLEAN ENERGY	
REV	DESCRIPTION:	DATE:	SCALE: 1:96		
A	INFORMATION	10/22/2018	DIMENSIONS ARE IN INCHES		
DO NOT SCALE DRAWING					

AirClean ENERGY
www.aircleanenergy.com

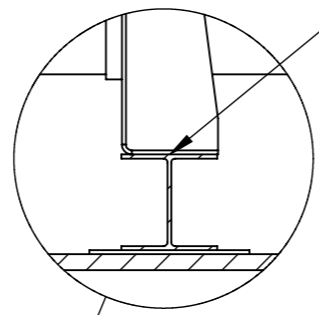
4725 W. Marginal Way S.W. Phone: (206) 860-4930
Seattle, WA 98106 Fax: (206) 860-4982

PROJECT:	LYONS FERRY STRAW PULP POWER ISLAND
TITLE:	RECIP ENGINE FIELD ASSEMBLY
DWG NO.:	14791-E-INS

REV.	A
SHEET	5
	7



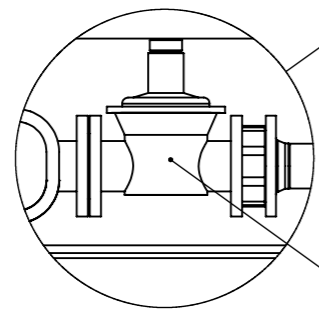
NOTE:
SHIM CATALYTIC OXIDIZER AND STACK TO
MATCH FLUE GAS DUCT FLANGE



DETAIL B

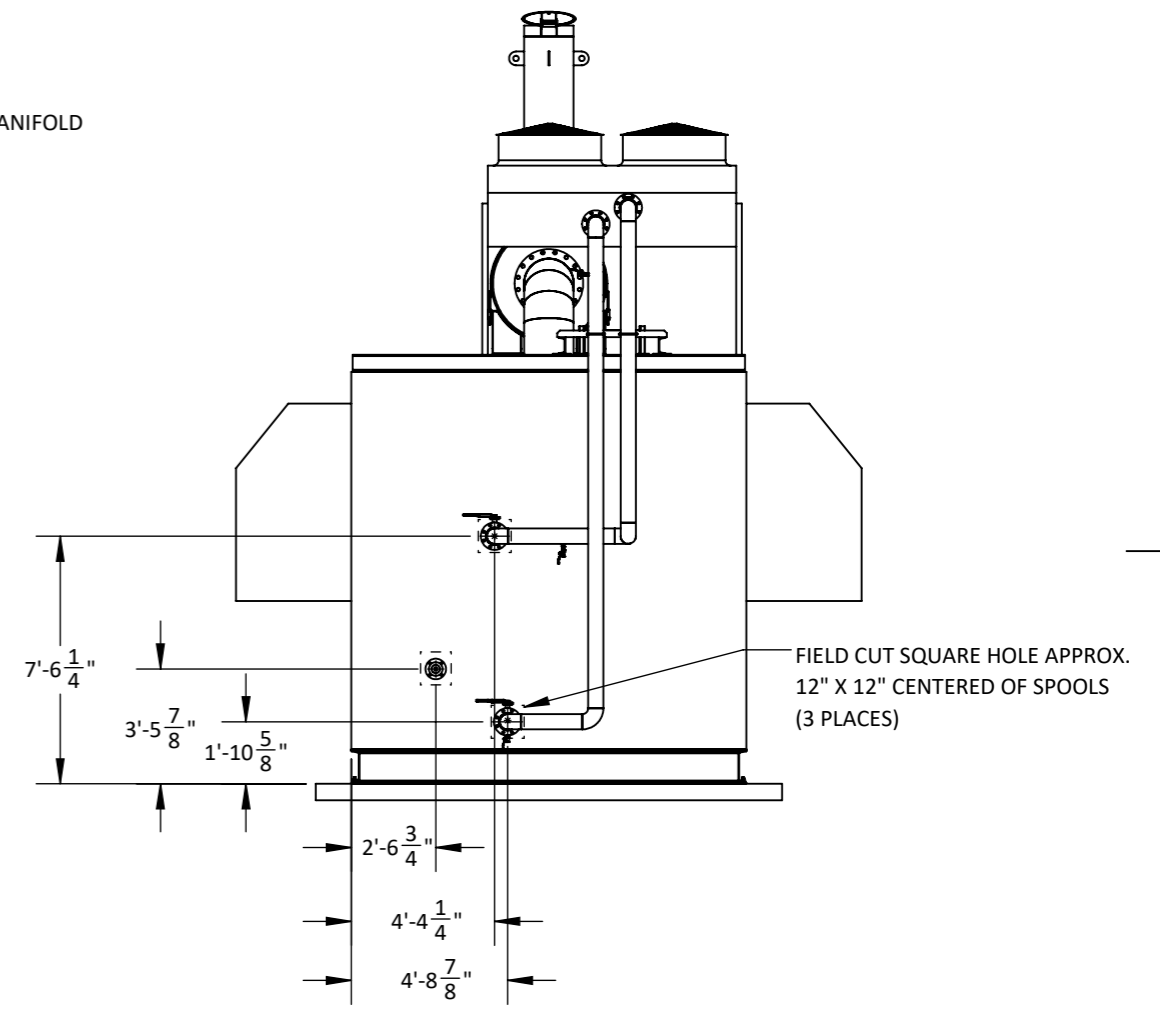
FIELD ROUTE HOSE TO MANIFOLD

14791-E-081A
FIELD DRILL AND INSTALL 5/8" BOLT
(2 PLACES)



DETAIL C

CUMMINS VALVE ASSEMBLY
NOTE: FIELD ROUTE 1/2" VENT TUBING TO OUTSIDE AIR.
SEE CUMMINS SUBMITTAL DIAGRAM 4-7 PG. 442



FIELD CUT SQUARE HOLE APPROX.
12" X 12" CENTERED OF SPOOLS
(3 PLACES)

SEE ALUM-TEK DRAWING 18-1699-5
(TYP.)

PROPRIETARY AND CONFIDENTIAL
THE INFORMATION CONTAINED IN THIS DRAWING IS THE SOLE PROPERTY OF AirClean Technologies. ANY REPRODUCTION IN PART OR AS A WHOLE WITHOUT THE WRITTEN PERMISSION OF AirClean Technologies IS PROHIBITED.

COMMENTS:
FOR INFORMATION

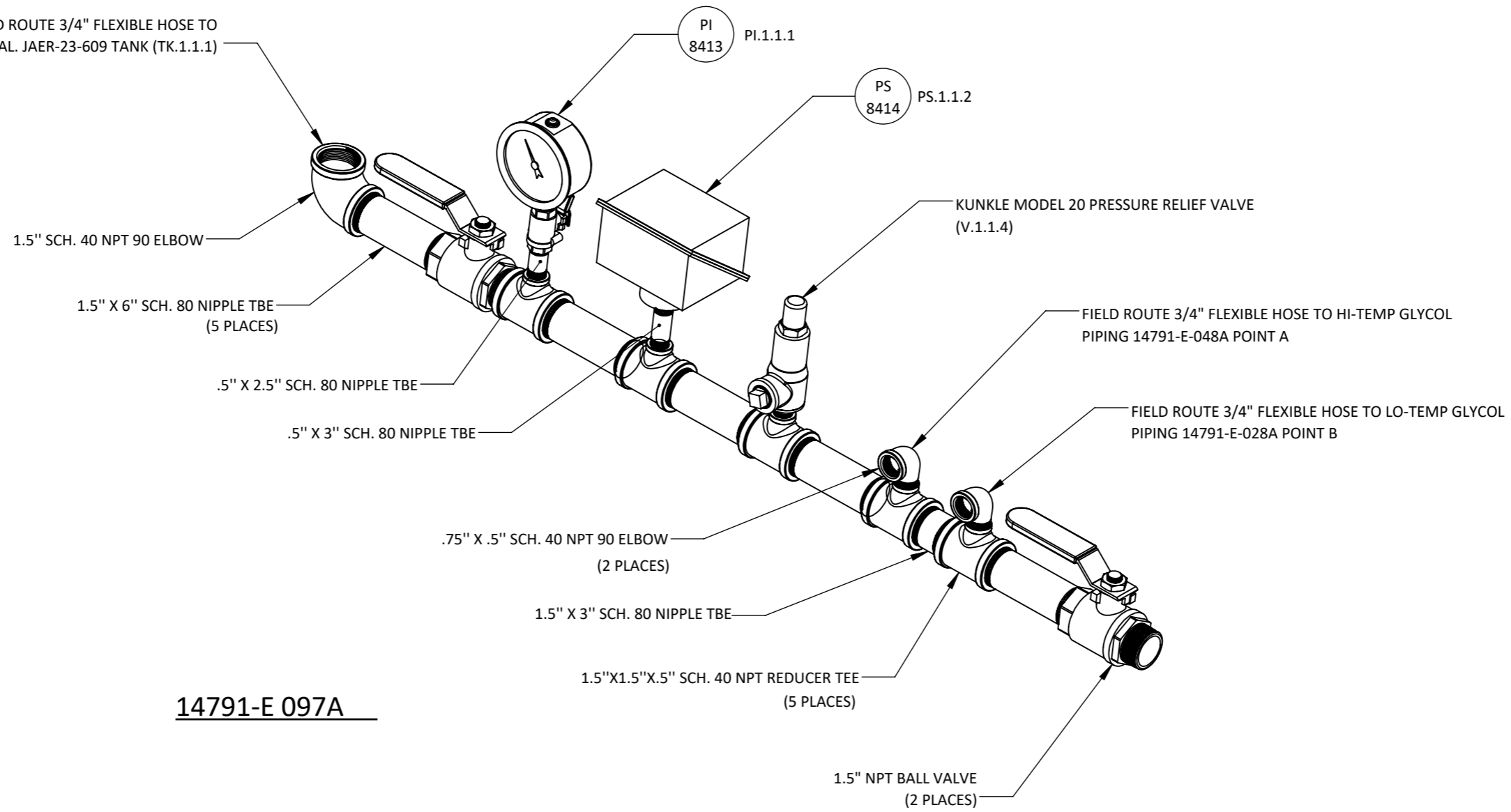
DRAWN BY: TC		DATE: 10/22/2018		CUSTOMER: COLUMBIA PULP LLC	
CHK'D. BY: -		DATE: -		USER: COLUMBIA PULP LLC	
APP. BY: DC		DATE:		MANUFACTURER: AIRCLEAN ENERGY	
REV	DESCRIPTION:	DATE:	SCALE: 1:96		
A	INFORMATION	10/22/2018	DIMENSIONS ARE IN INCHES		
DO NOT SCALE DRAWING					

AirClean ENERGY
www.aircleanenergy.com
4725 W. Marginal Way S.W. Phone: (206) 860-4930
Seattle, WA 98106 Fax: (206) 860-4982

PROJECT:	LYONS FERRY STRAW PULP POWER ISLAND
TITLE:	RECIP ENGINE FIELD ASSEMBLY
DWG NO.:	14791-E-INS

REV.	A
SHEET	6
	7

NOTE: FIELD ROUTE 3/4" FLEXIBLE HOSE TO
120 GAL. JAER-23-609 TANK (TK.1.1.1)



14791-E 097A

PROPRIETARY AND CONFIDENTIAL

THE INFORMATION CONTAINED IN THIS DRAWING IS THE SOLE PROPERTY OF AirClean Technologies. ANY REPRODUCTION IN PART OR AS A WHOLE WITHOUT THE WRITTEN PERMISSION OF AirClean Technologies IS PROHIBITED.

COMMENTS:

FOR INFORMATION

DRAWN BY: TC		DATE: 10/22/2018	CUSTOMER: COLUMBIA PULP LLC
CHK'D. BY: -		DATE: -	USER: COLUMBIA PULP LLC
APP. BY: DC		DATE:	MANUFACTURER: AIRCLEAN ENERGY
REV	DESCRIPTION:	DATE:	SCALE: 1:8
A	INFORMATION	10/22/2018	DIMENSIONS ARE IN INCHES
DO NOT SCALE DRAWING			



**AirClean
ENERGY**
www.aircleanenergy.com

4725 W. Marginal Way S.W. Phone: (206) 860-4930
Seattle, WA 98106 Fax: (206) 860-4982

PROJECT:

LYONS FERRY STRAW PULP POWER ISLAND

TITLE:

RECIP ENGINE FIELD ASSEMBLY

DWG NO.

14791-E-INS

REV.

A

SHEET

7/7