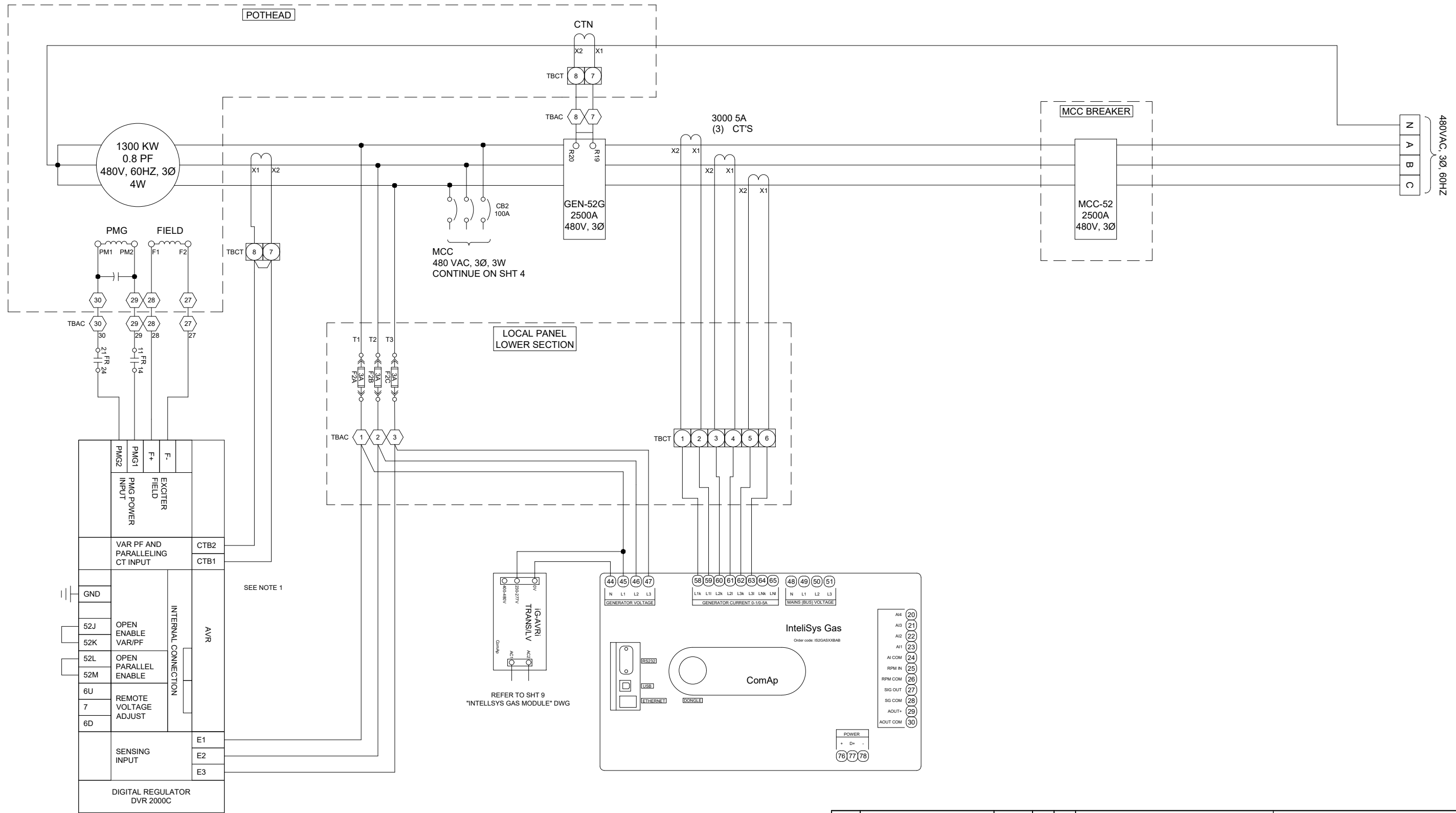


208/110VAC, 100A, 1Ø, 2W SHORE POWER CONNECTION FOR START-UP OR MAINTENANCE

NOTE: SEE 5 OF 17 (2001G0834) WITHIN ORIGINAL PLANERGY SITE DWGS. REPLACING TEMS CONTROL SYSTEM WITH COMAP SYSTEM.

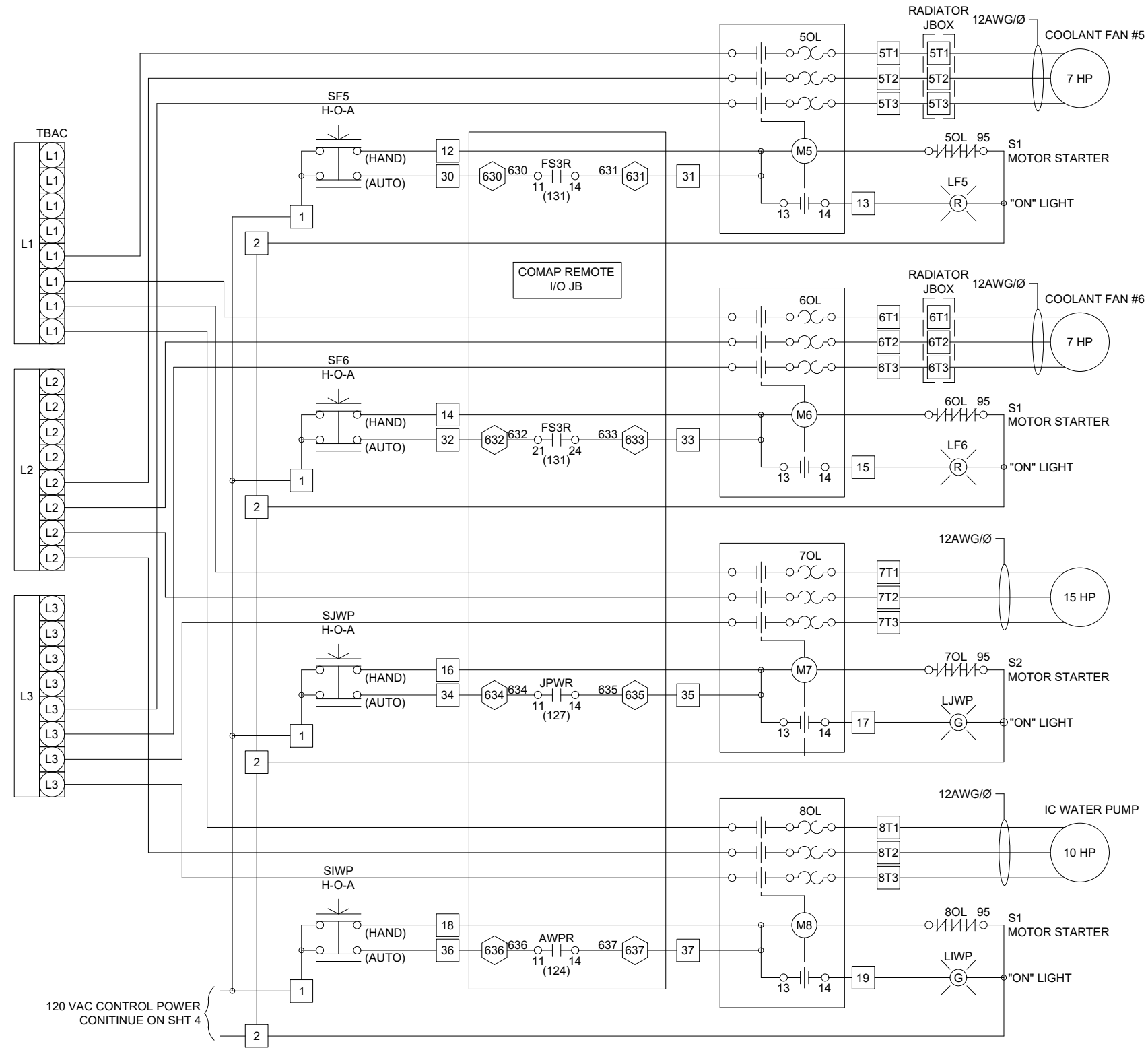
REV.	DESCRIPTION	DATE	BY	APP.
0	FINAL AS BUILT	8/24/20	CH	CM



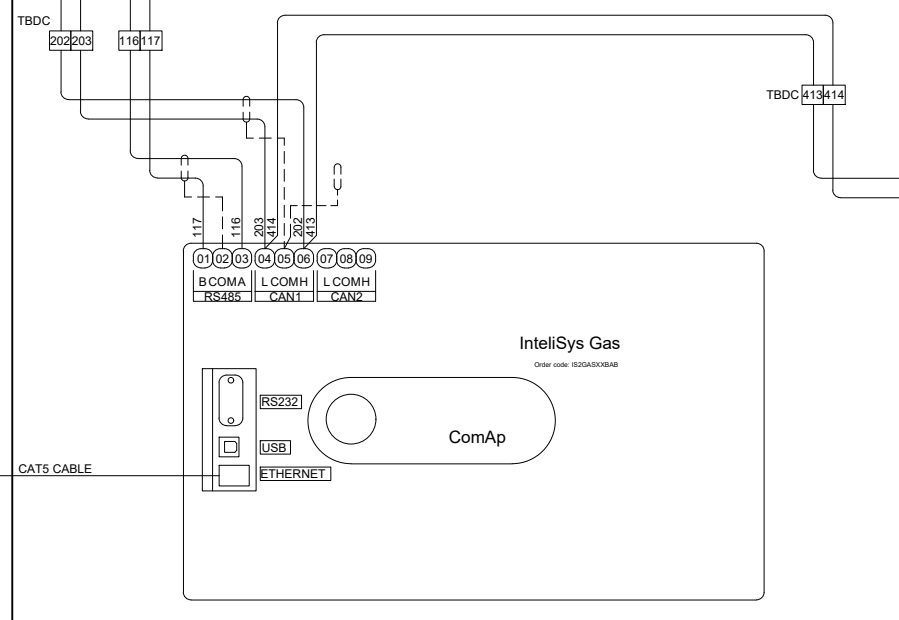
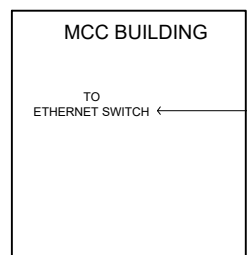
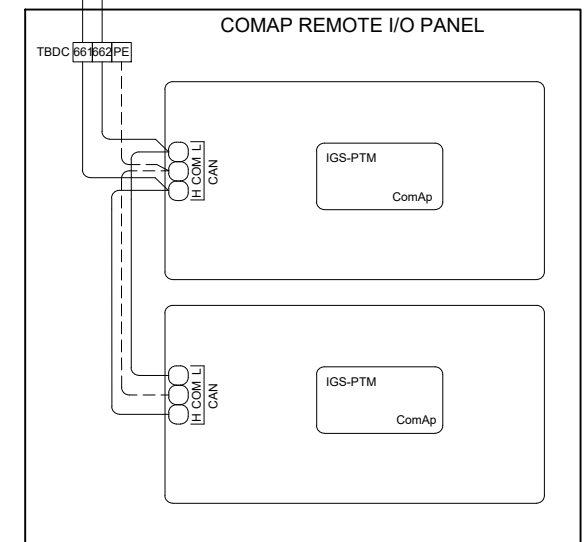
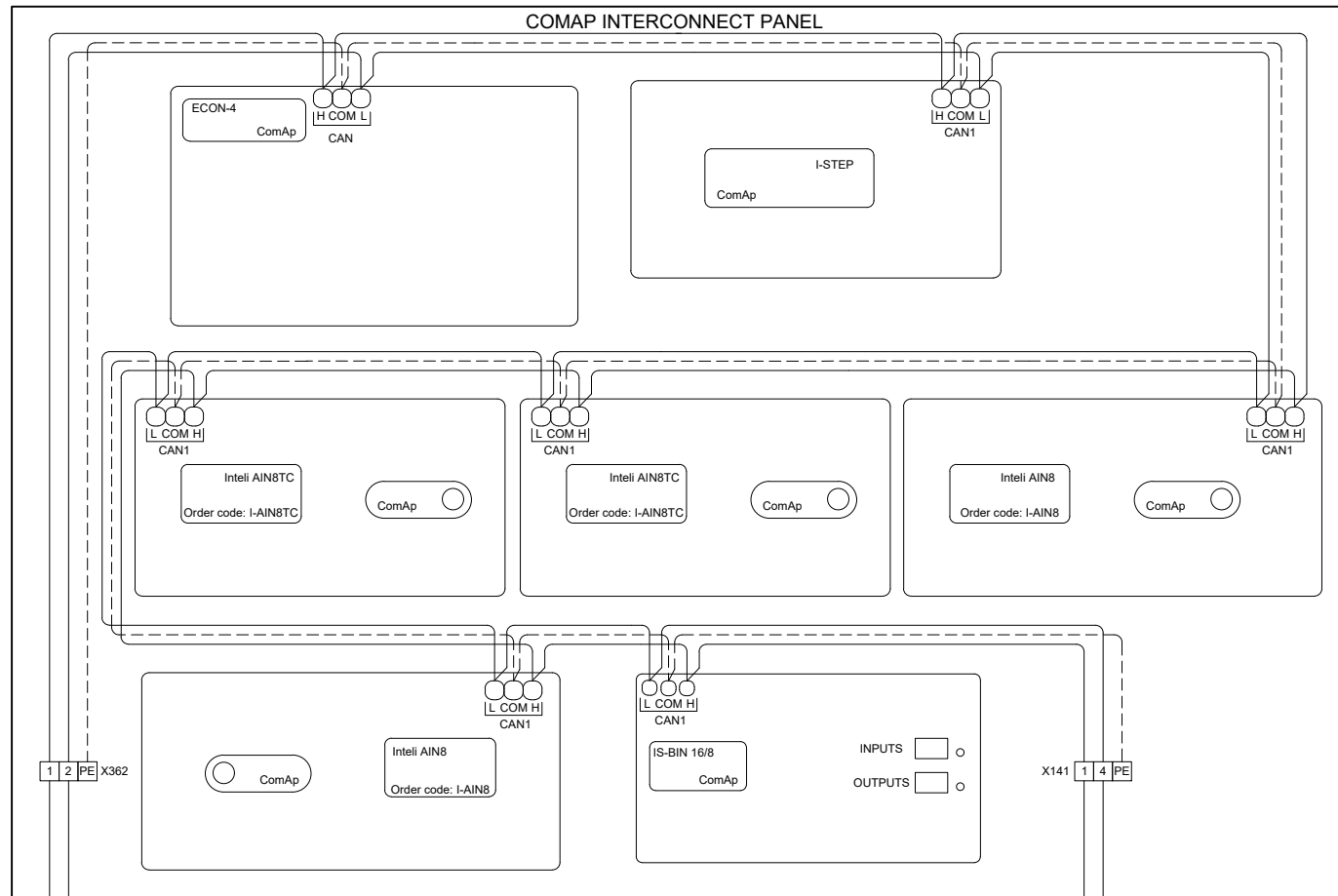
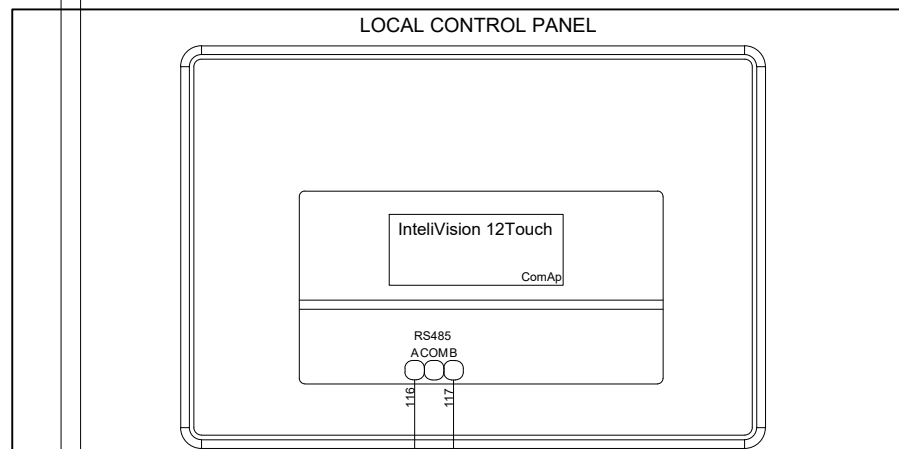
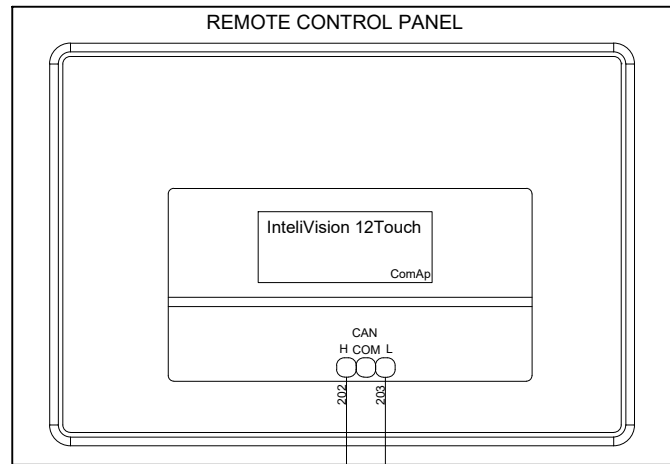
NOTE: SEE 6 OF 17 (2001G0834) WITHIN ORIGINAL PLANERGY SITE DWGS. REPLACING TEMS CONTROL SYSTEM WITH COMAP SYSTEM.

0	FINAL AS BUILT	8/24/20	CH	
REV.	DESCRIPTION	DATE	BY	APP.

SCALE	JOB NO:	DRAWING NO:	SHEET:	REV:
N/A	13134ETF	13134-20	3	0



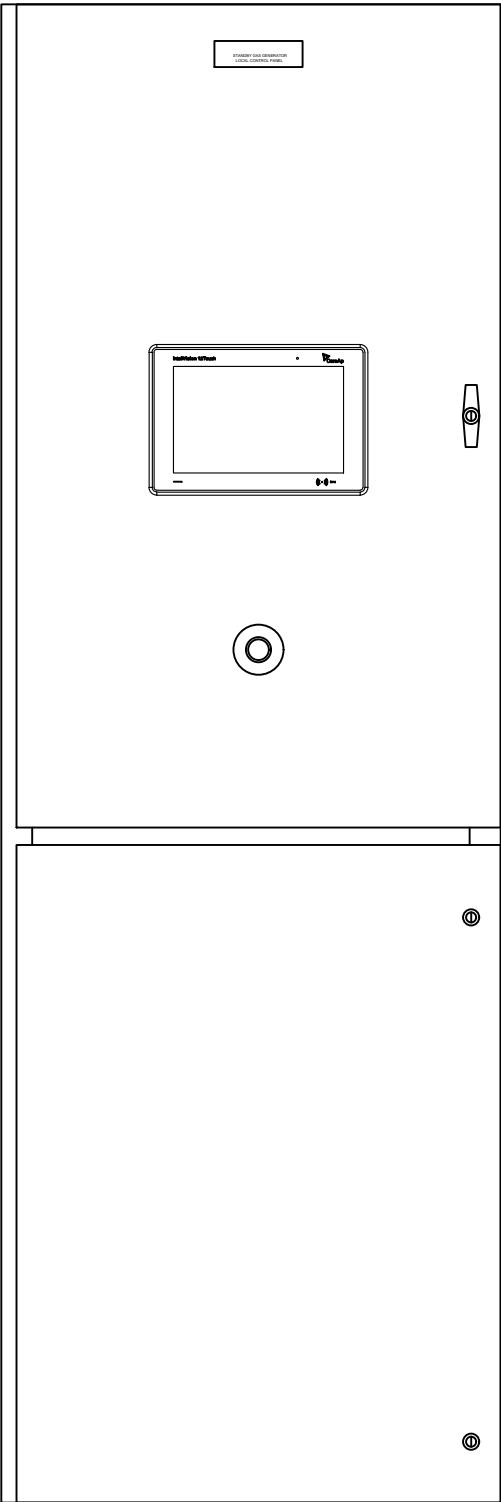
REV.	DESCRIPTION	DATE	BY	APP.
0	DUPLICATE FROM ORIGINAL	8/24/20	TM	CH



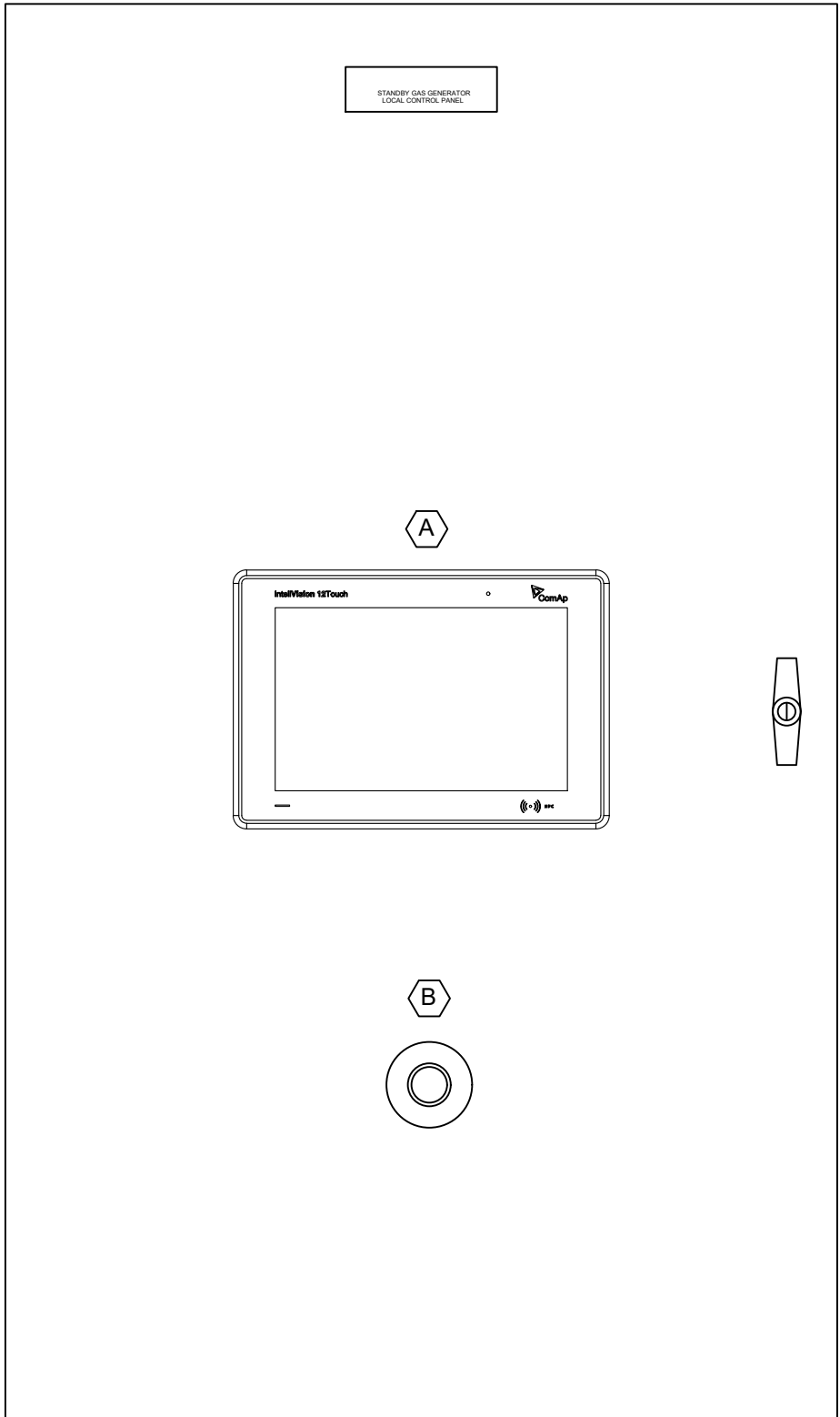
REV.	DESCRIPTION	DATE	BY	APP.
0	FINAL AS BUILT	8/24/20	CH	CM

UPGRADE BILL OF MATERIALS

ITEM	QTY	DESCRIPTION	MANUFACTURER	PART NUMBER
A	1	12" TOUCH DISPLAY	COMAP	RD1V12TBZH
B	1	EMERGENCY STOP PUSH BUTTON	C3 CONTROLS	PBO-PPMCRD-NC

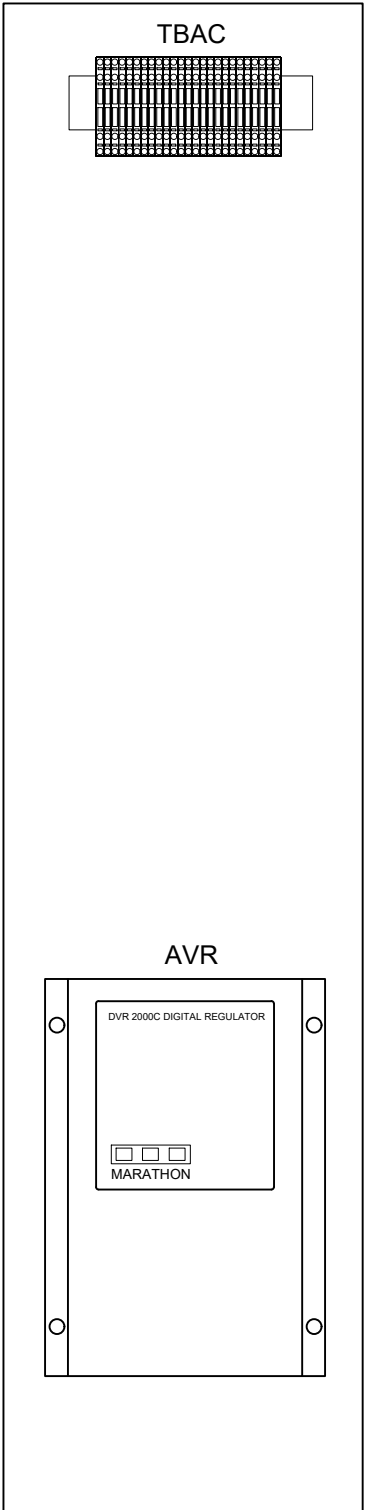
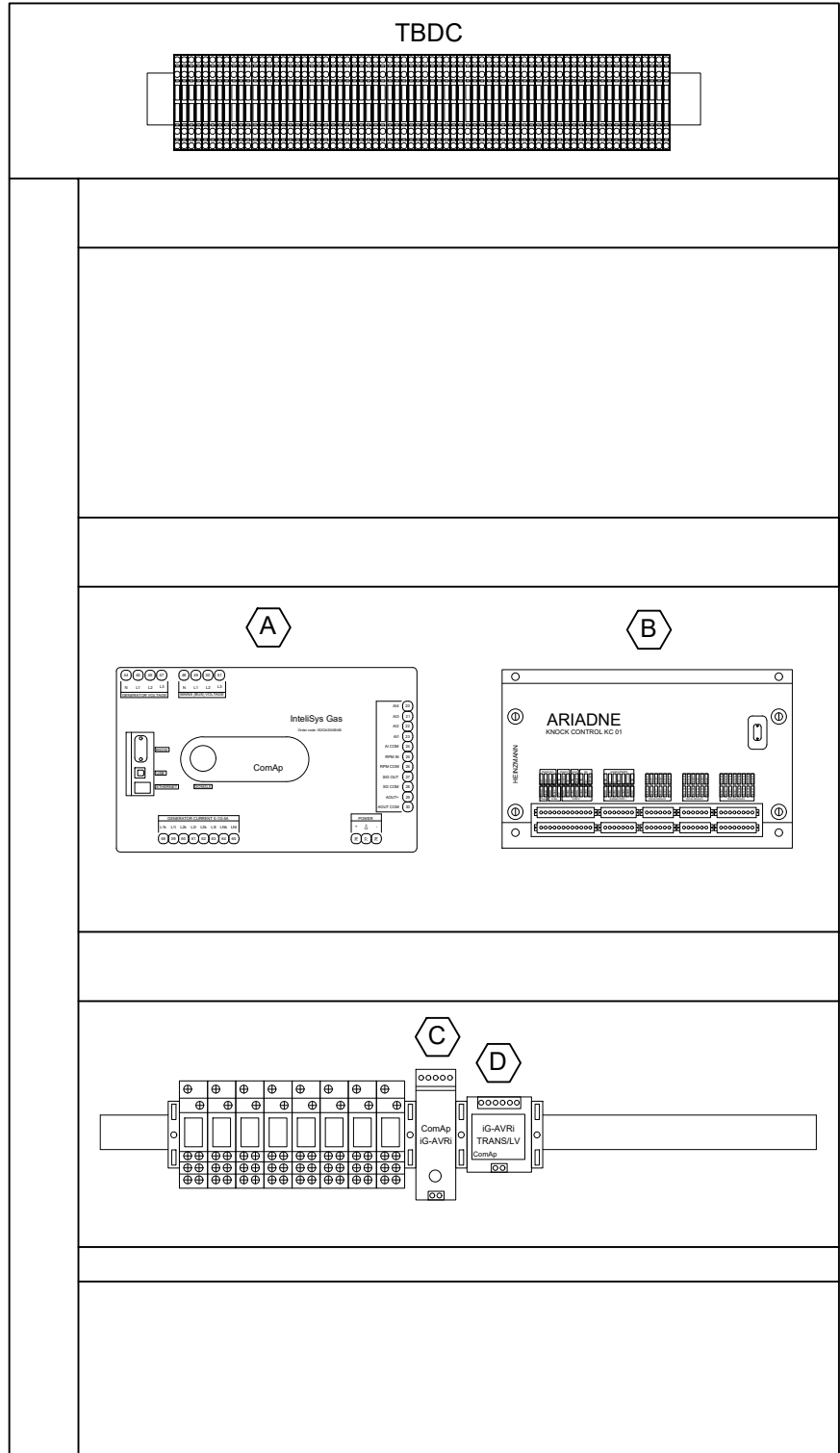
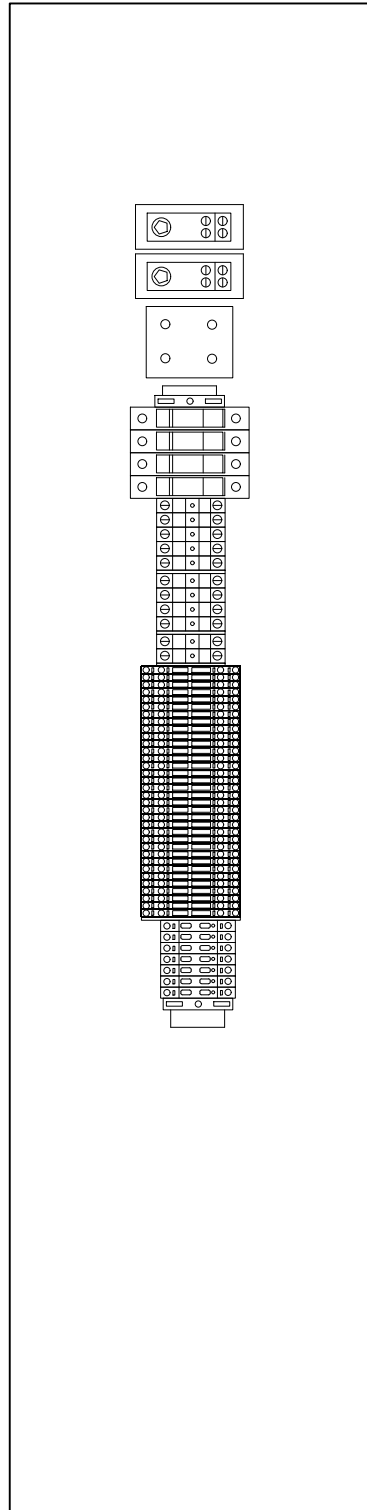


FRONT VIEW



DOOR LAYOUT

REV.	DESCRIPTION	DATE	BY	APP.
0	FINAL AS BUILT	8/24/20	CH	CM

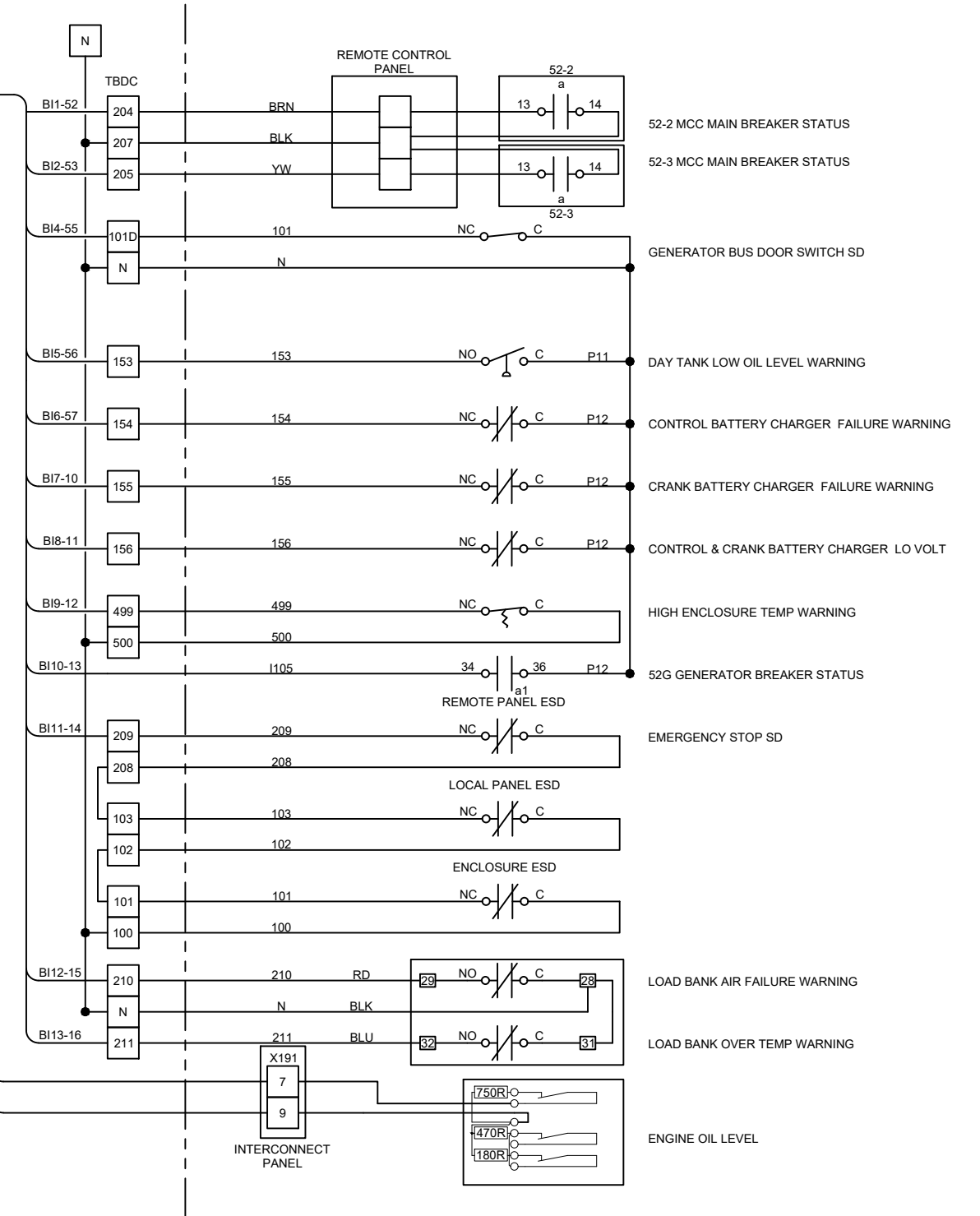
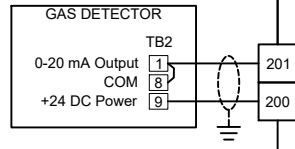
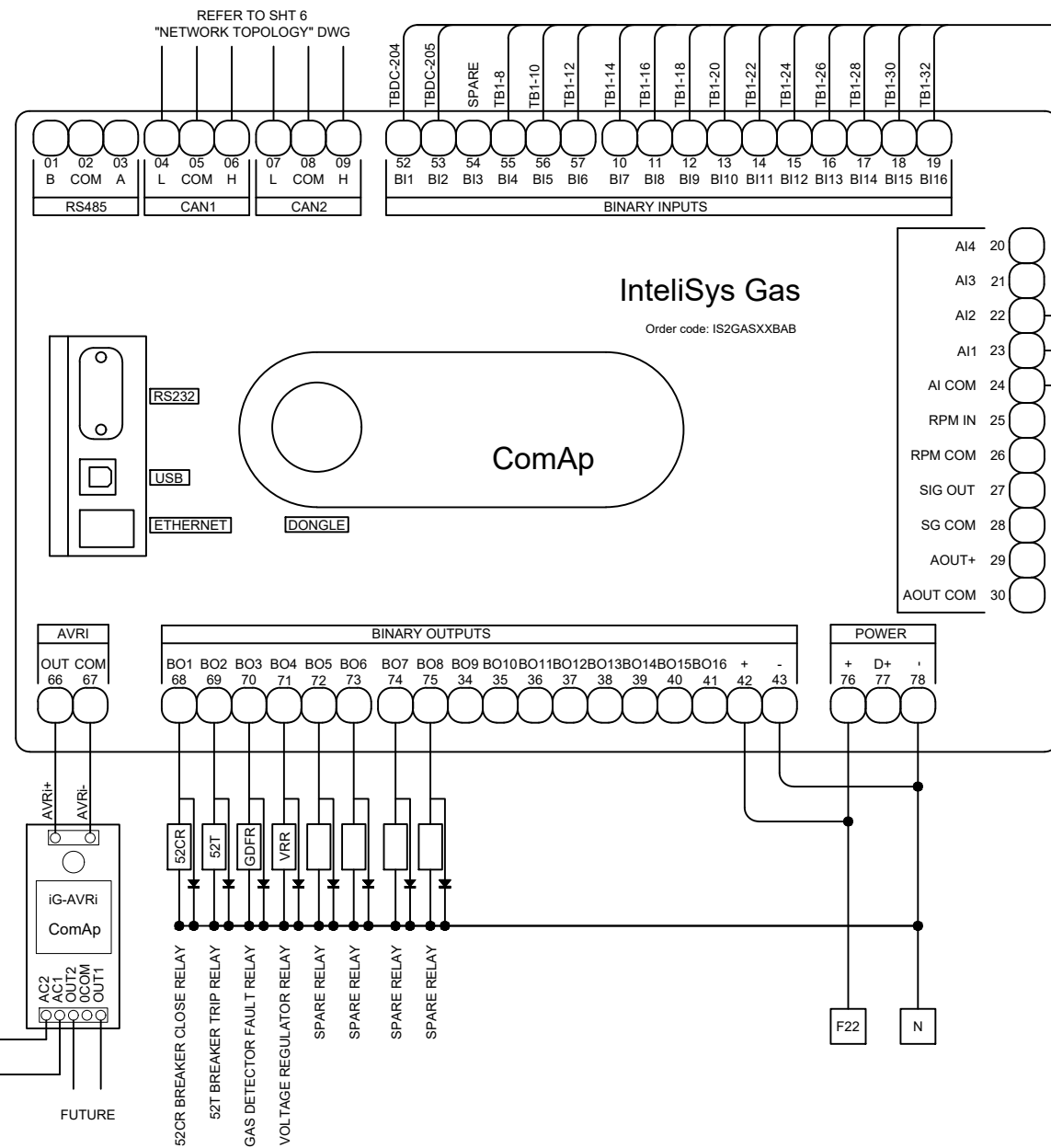


UPGRADE BILL OF MATERIALS				
ITEM	QTY	DESCRIPTION	MANUFACTURER	PART NUMBER
A	1	INTELISYS GENSET CONTROLLER	COMAP	IS2GASXXBAB
B	1	KNOCK CONTROLLER	HEINZMANN	KC-01
C	1	AVR CONTROL INTERFACE	COMAP	IG-AVRI
D	1	AVRI INPUT TRANSFORMER	COMAP	IG-AVRI TRANSFORMER

BACK PLATE LAYOUT

REV.	DESCRIPTION	DATE	BY	APP.
0	FINAL AS BUILT	8/24/20	CH	CM

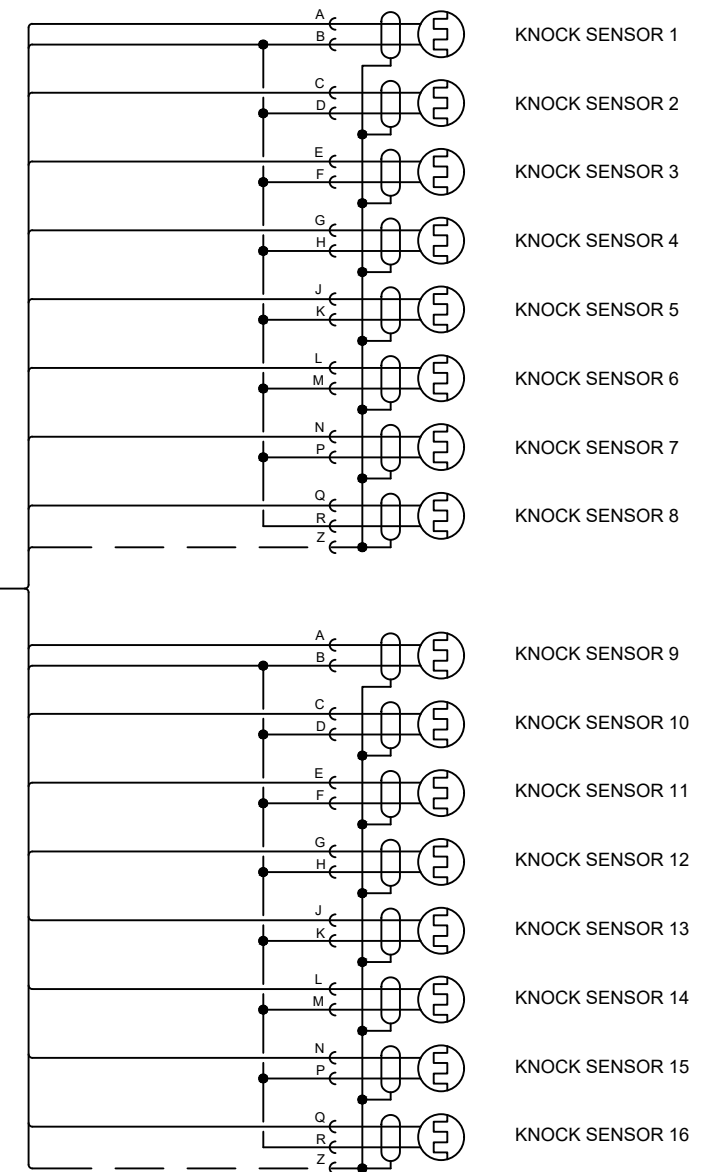
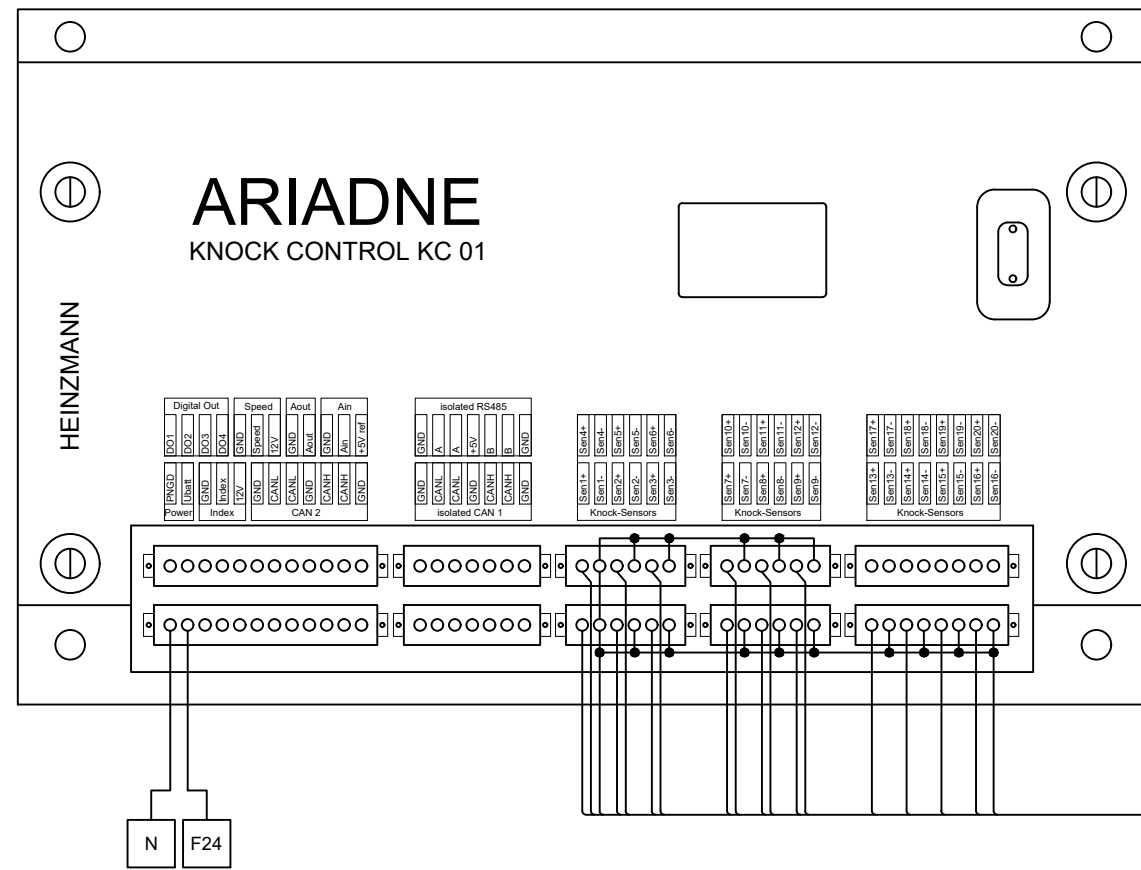
LOCAL CONTROL PANEL



REFER TO SHT 3 "THREE LINE DIAGRAM" DWG

REV.	DESCRIPTION	DATE	BY	APP.
0	FINAL AS BUILT	8/24/20	CH	CM

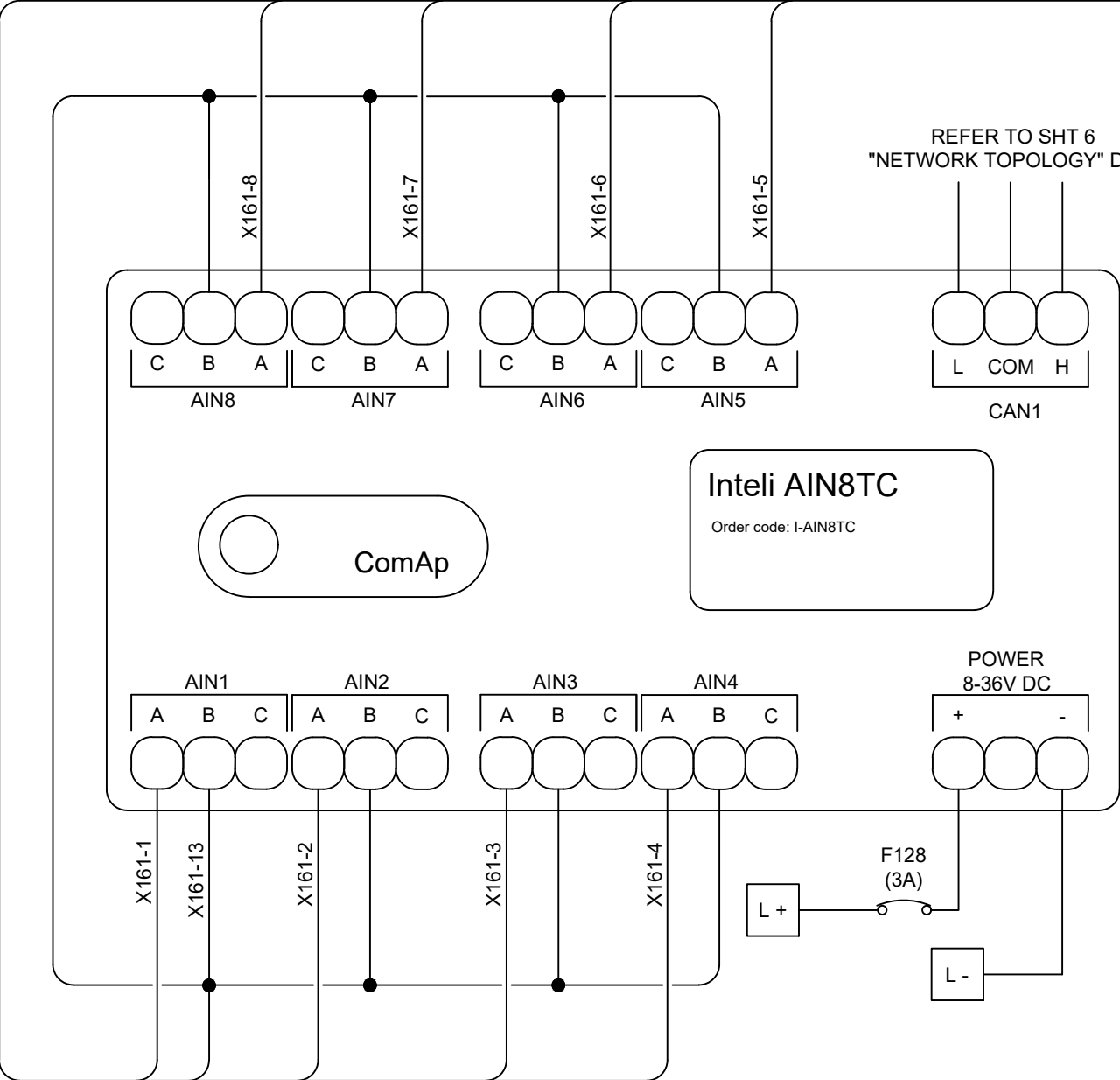
LOCAL CONTROL PANEL



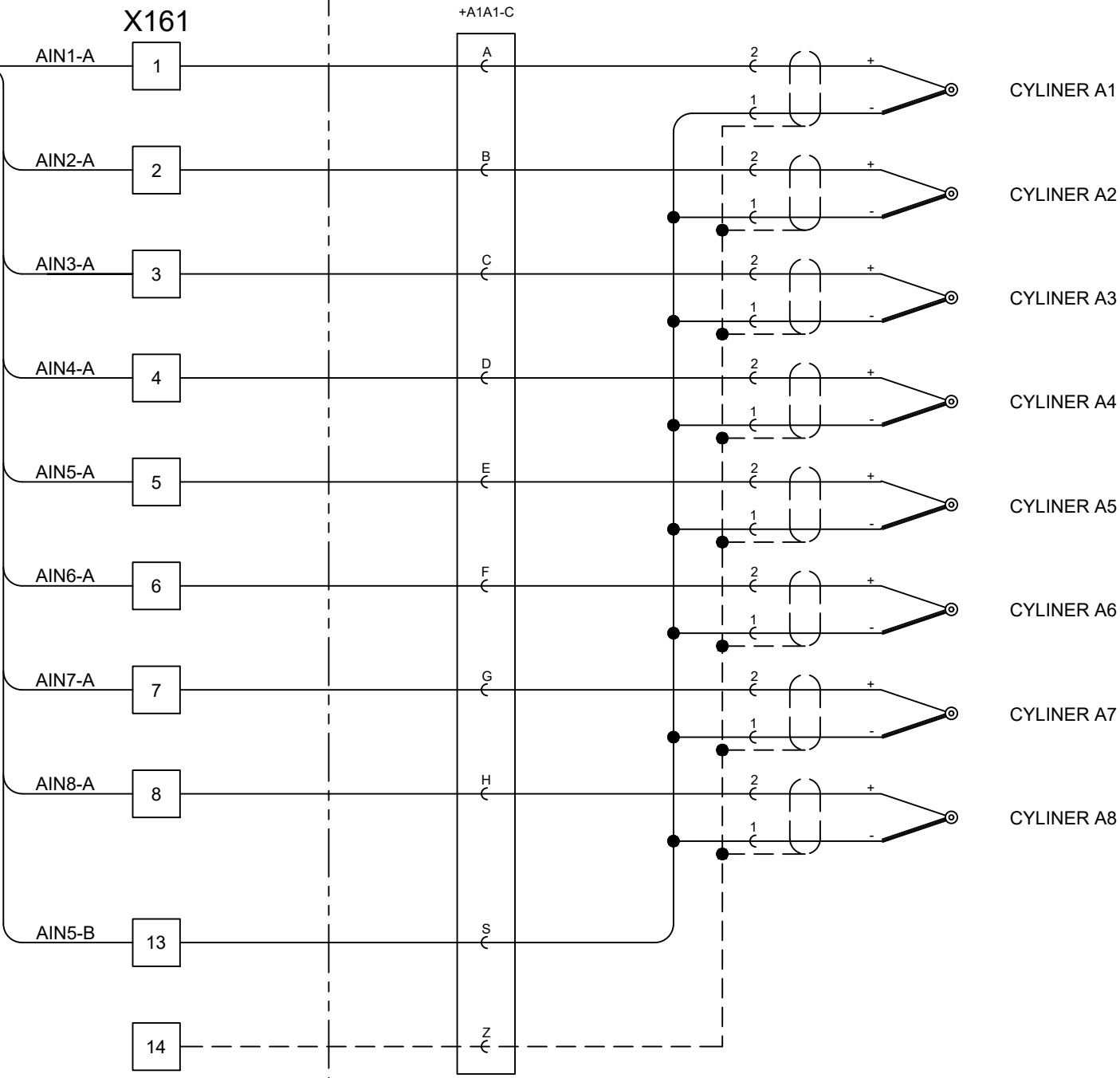
REV.	DESCRIPTION	DATE	BY	APP.
0	FINAL AS BUILT	8/24/20	CH	CM

SCALE	JOB NO:	DRAWING NO:	SHEET:	REV:
N/A	13134ETF	13134-20	10	0

COMAP INTERCONNECT PANEL



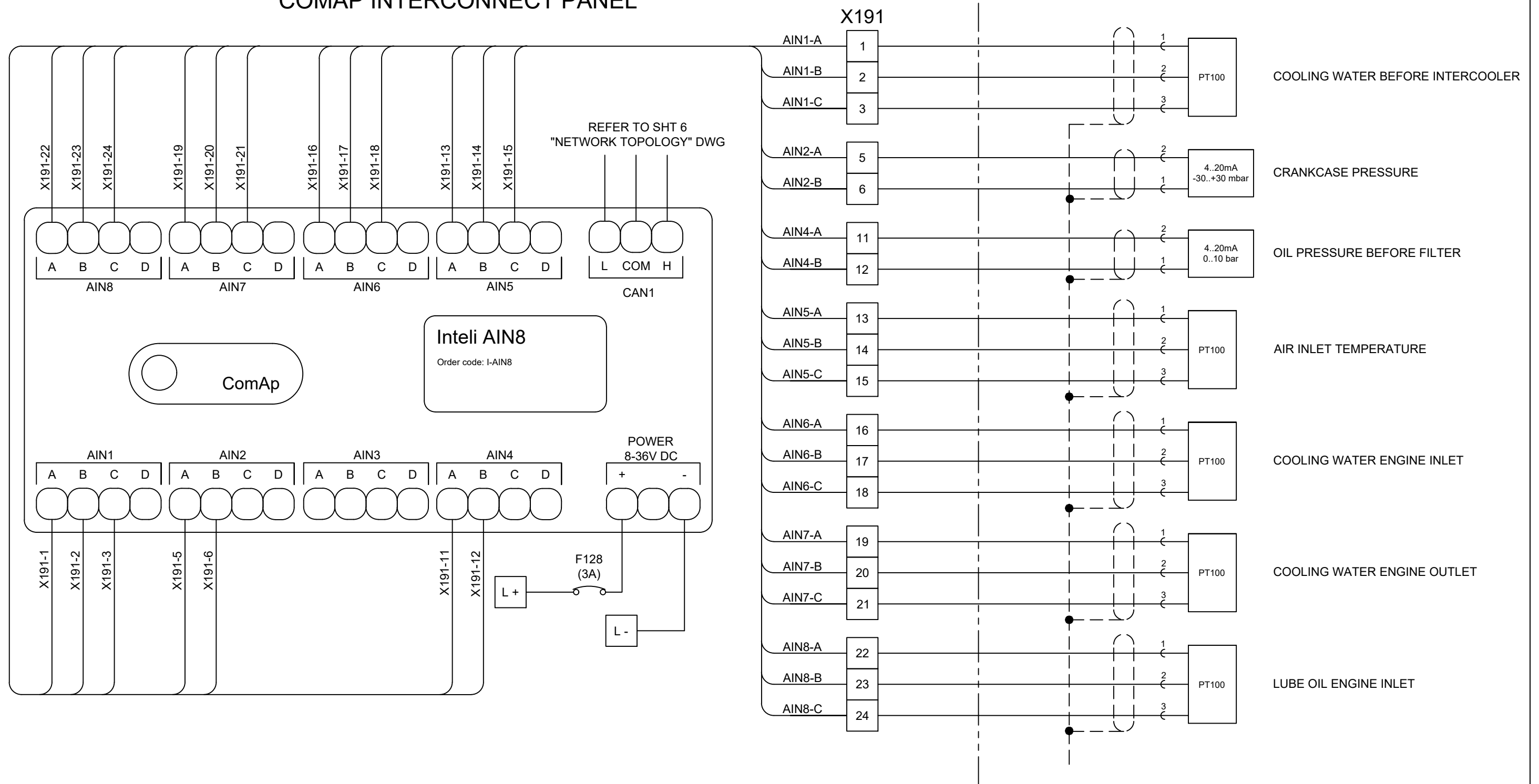
REFER TO SHT 6
"NETWORK TOPOLOGY" DWG



REV.	DESCRIPTION	DATE	BY	APP.
0	FINAL AS BUILT	8/24/20	CH	CM

SCALE	JOB NO:	DRAWING NO:	SHEET:	REV:
N/A	13134ETF	13134-20	12	0

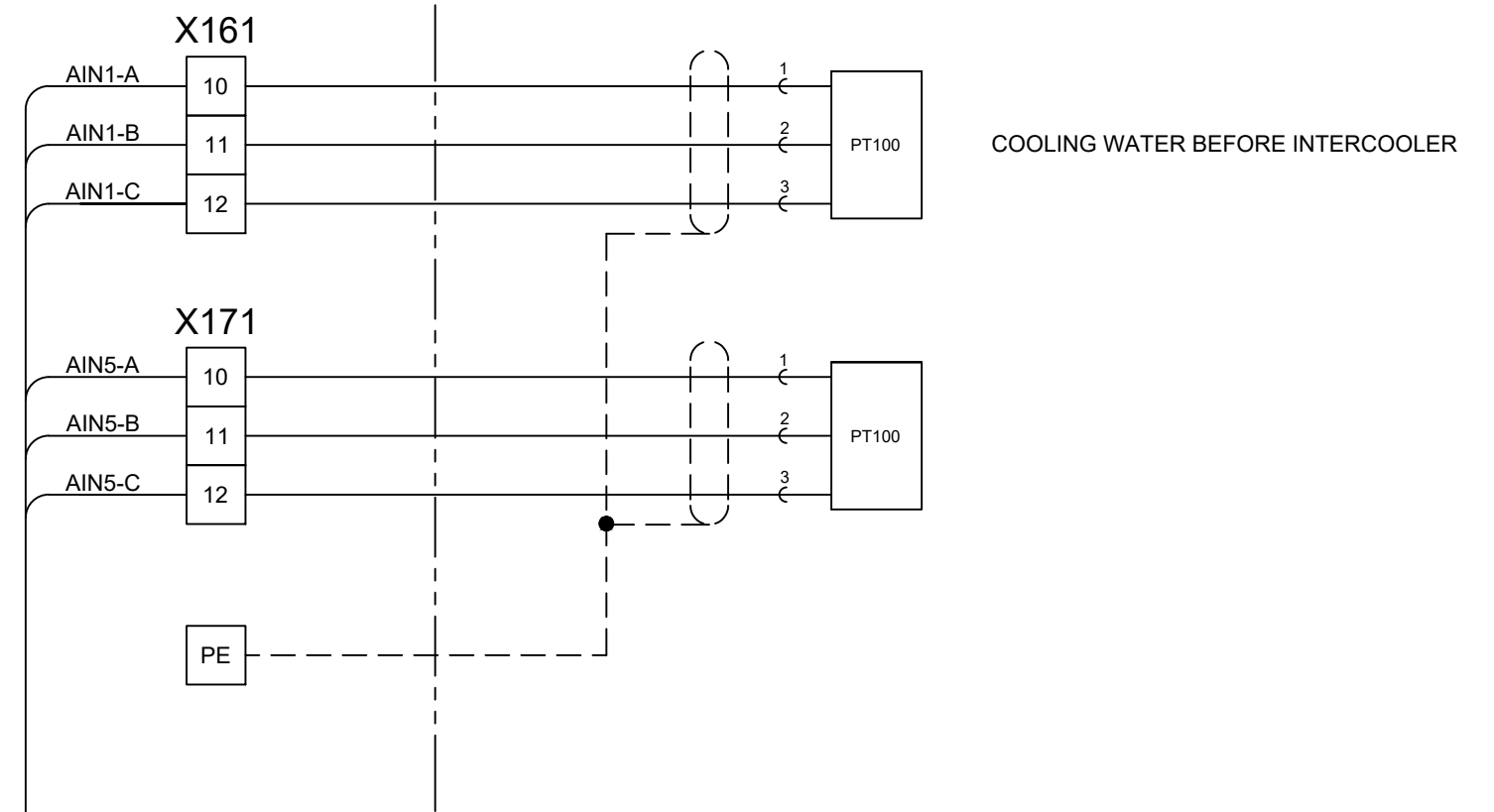
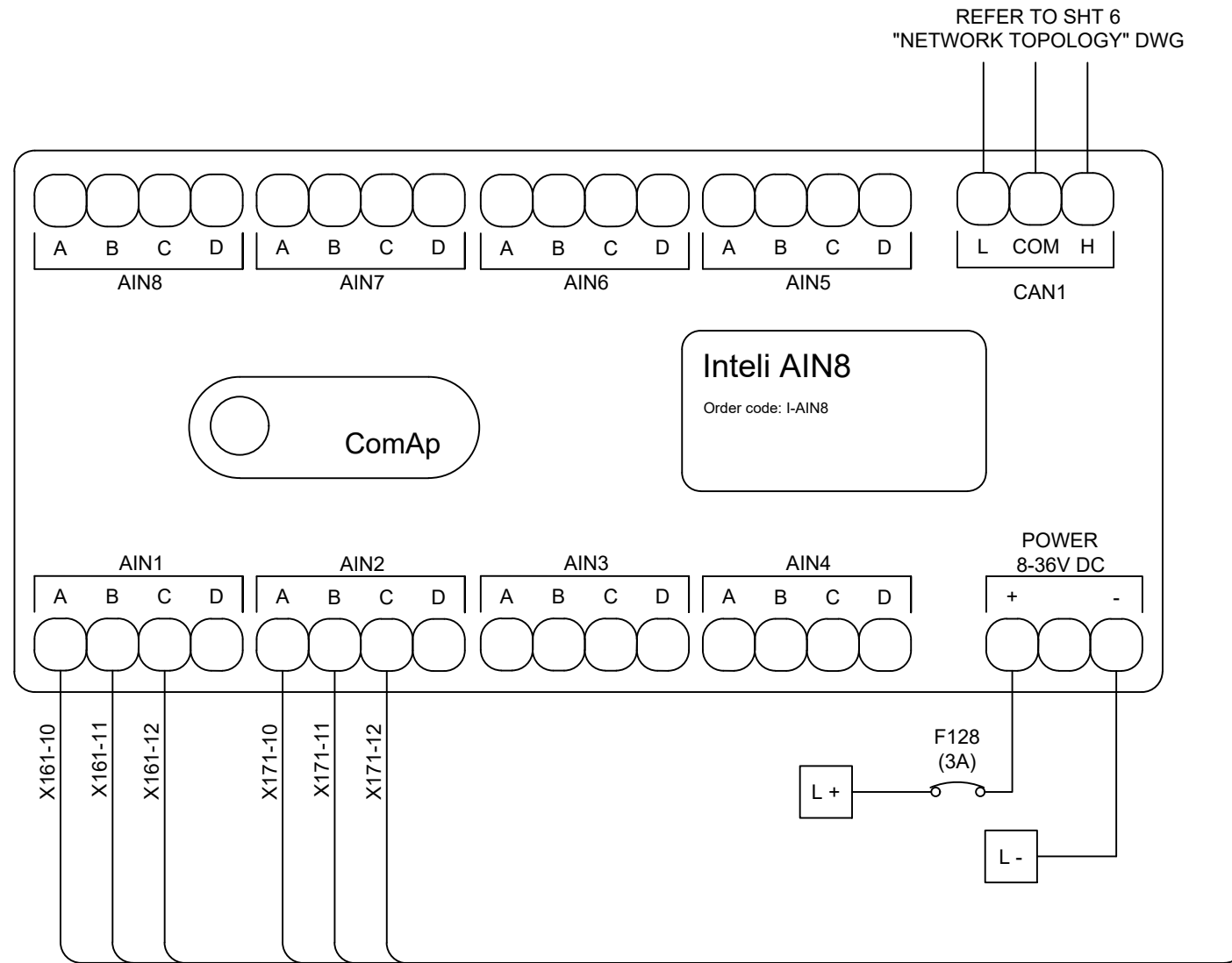
COMAP INTERCONNECT PANEL



REV.	DESCRIPTION	DATE	BY	APP.
0	FINAL AS BUILT	8/24/20	CH	CM

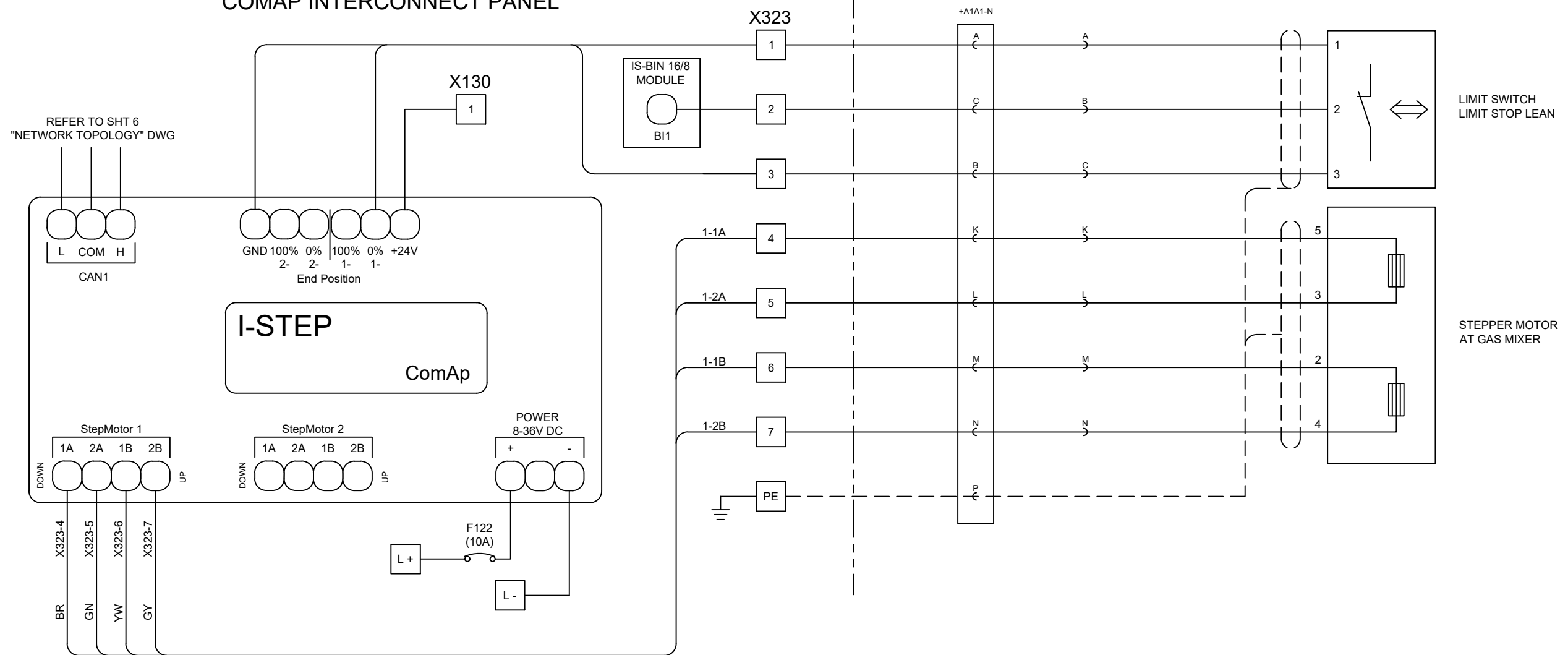
SCALE	JOB NO:	DRAWING NO:	SHEET:	REV:
N/A	13134ETF	13134-20	14	0

COMAP INTERCONNECT PANEL



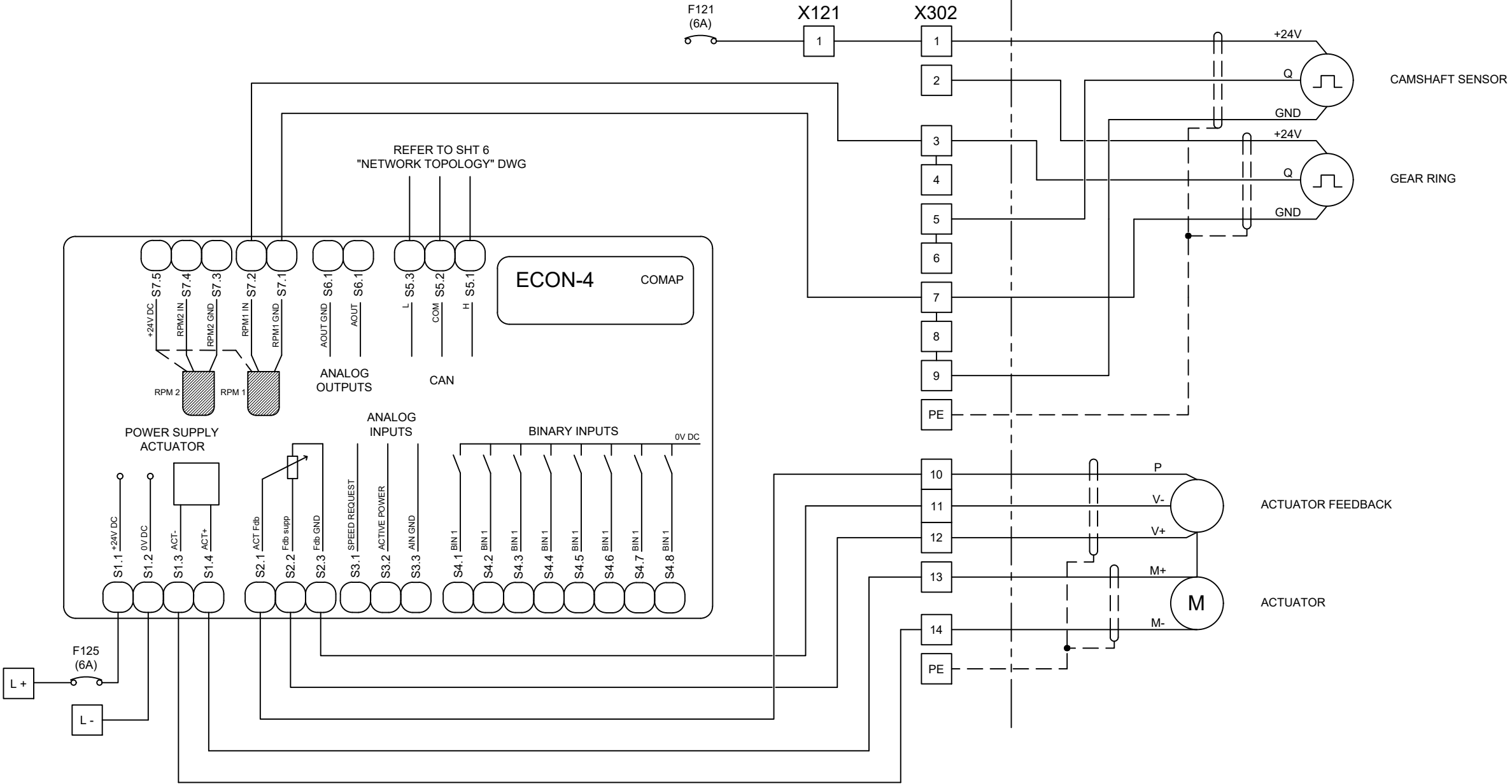
REV.	DESCRIPTION	DATE	BY
0	FINAL AS BUILT	8/24/20	CH

COMAP INTERCONNECT PANEL



REV.	DESCRIPTION	DATE	BY	APP.
0	FINAL AS BUILT	8/24/20	CH	CM

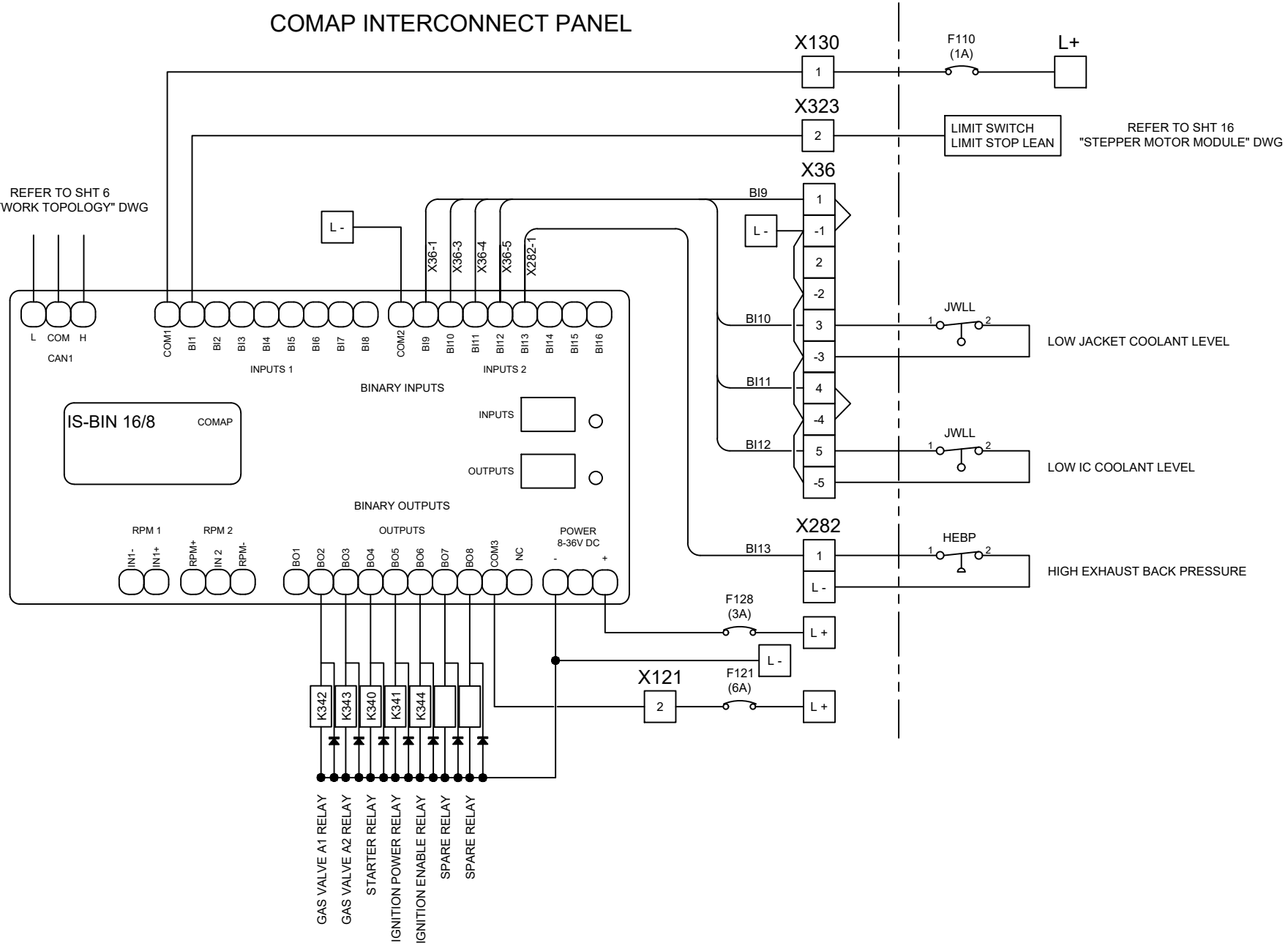
COMAP INTERCONNECT PANEL



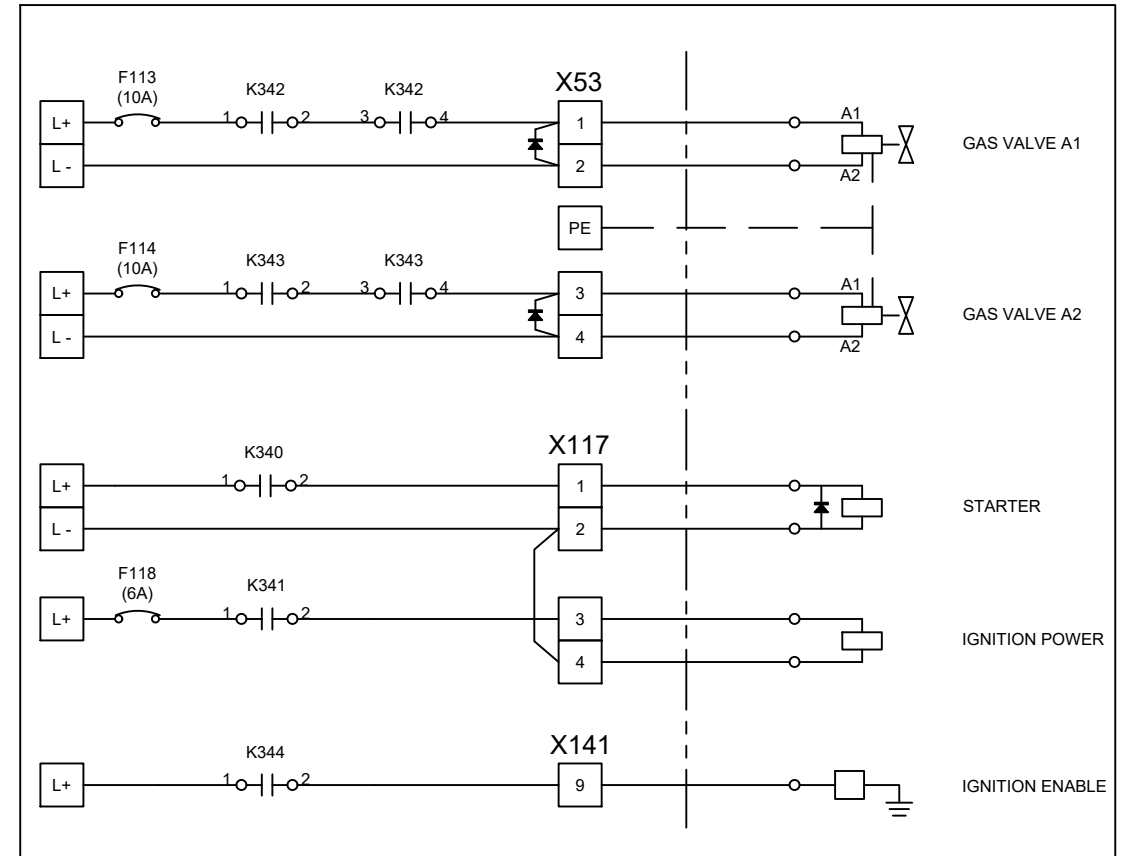
REV.	DESCRIPTION	DATE	BY	APP.
0	FINAL AS BUILT	8/24/20	CH	

COMAP INTERCONNECT PANEL

REFER TO SHT 6
"NETWORK TOPOLOGY" DWG



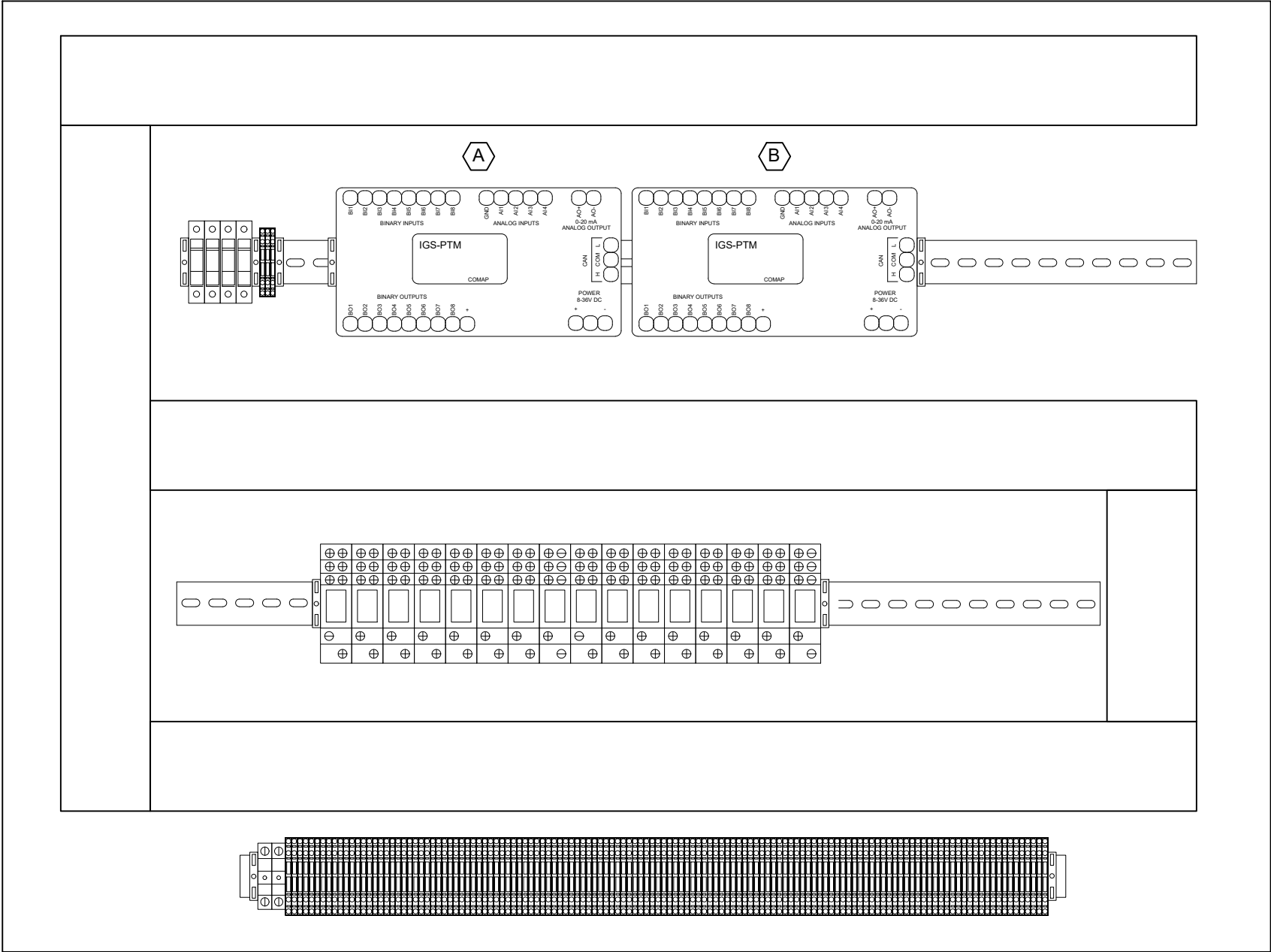
REFER TO SHT 16
"STEPPER MOTOR MODULE" DWG



REV.	DESCRIPTION	DATE	BY	APP.
0	FINAL AS BUILT	8/24/20	CH	CM

SCALE	JOB NO:	DRAWING NO:	SHEET:	REV:
N/A	13134ETF	13134-20	18	0

UPGRADE BILL OF MATERIALS				
ITEM	QTY	DESCRIPTION	MANUFACTURER	PART NUMBER
A	2	EXPANSION MODULE	COMAP	IGS-PTM

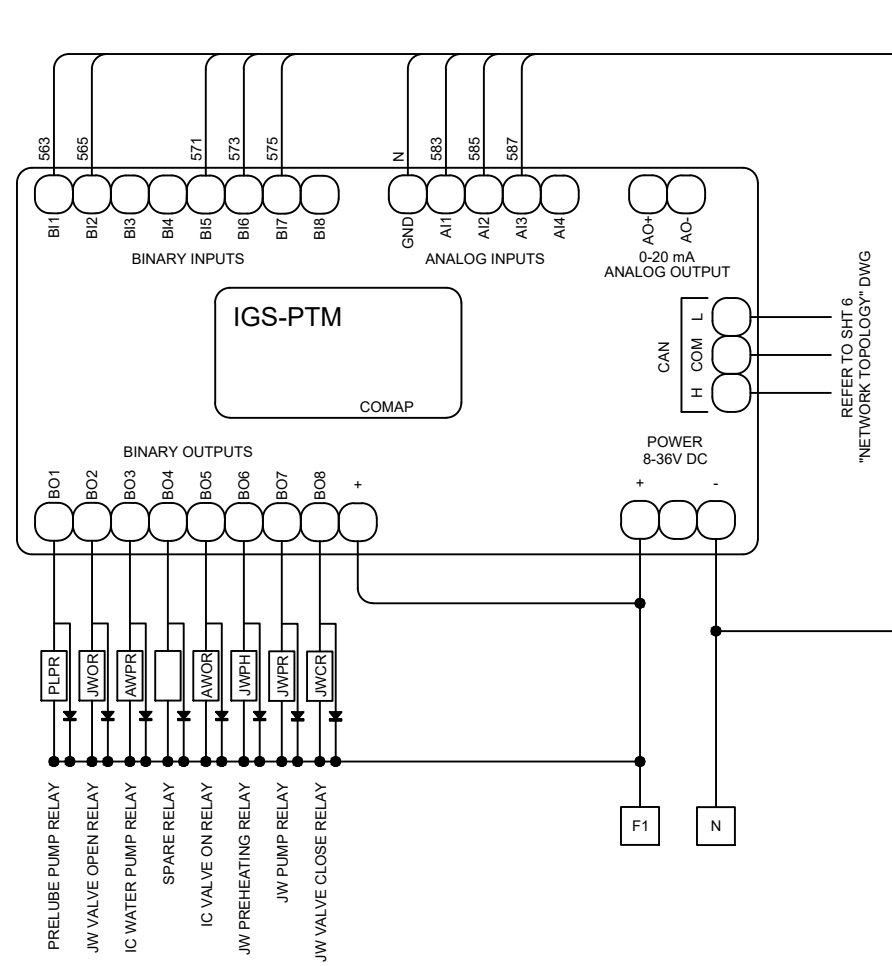


BACK PLATE LAYOUT

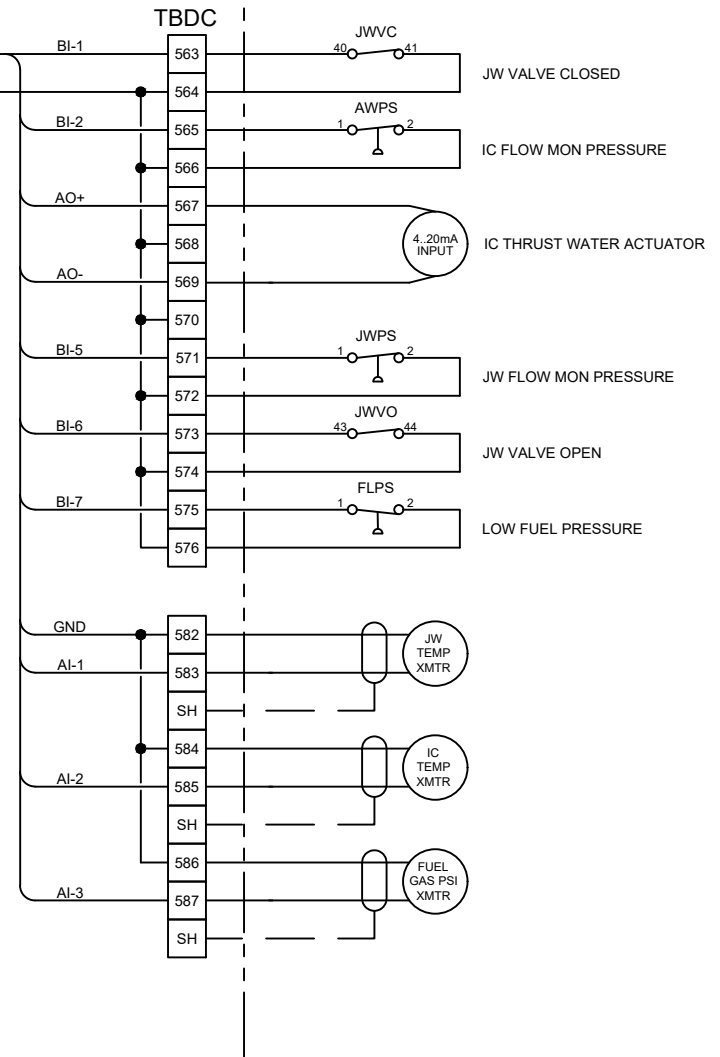
REV.	DESCRIPTION	DATE	BY	APP.
0	FINAL AS BUILT	8/24/20	CH	

SCALE	JOB NO:	DRAWING NO:	SHEET:	REV:
N/A	13134ETF	13134-20	19	0

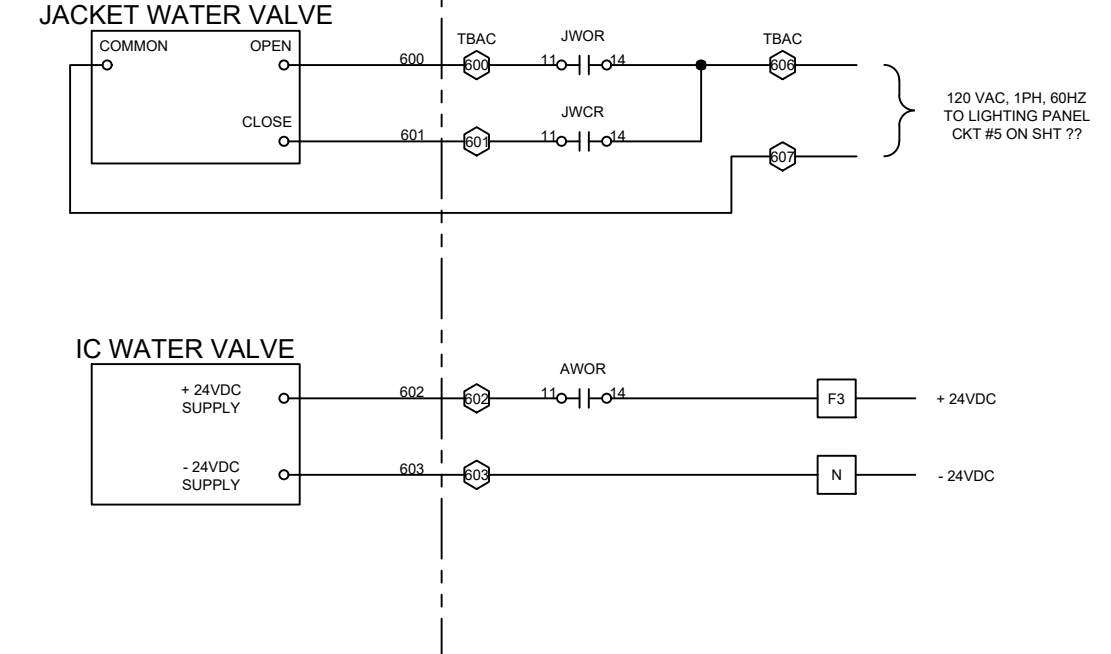
COMAP REMOTE I/O PANEL



"REFER TO SHT 6
"NETWORK TOPOLOGY" DWG

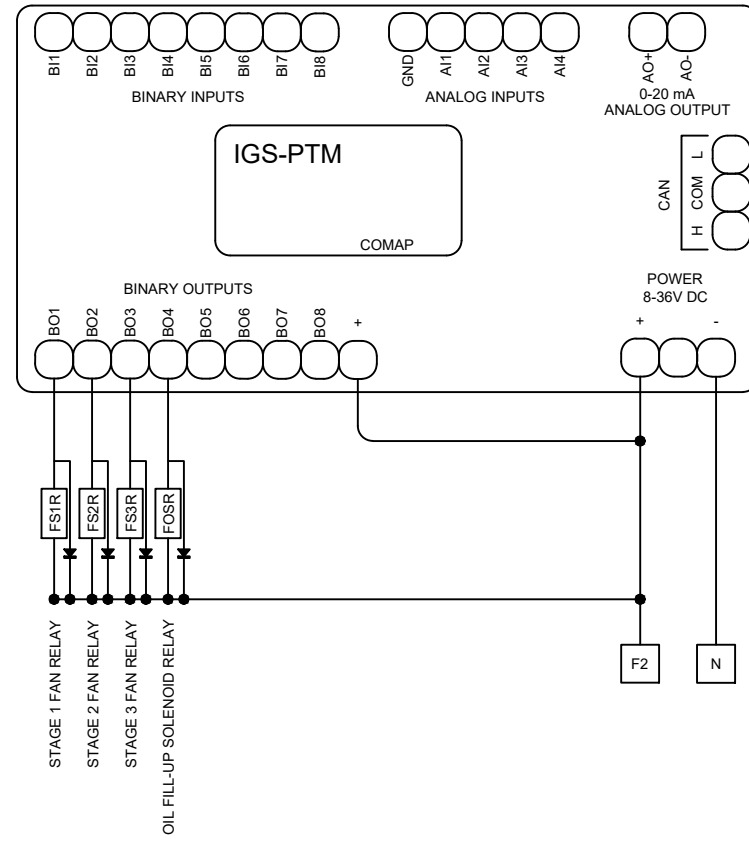


COMAP REMOTE I/O PANEL



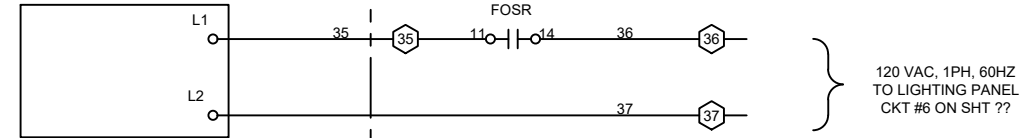
REV.	DESCRIPTION	DATE	BY	APP.
0	FINAL AS BUILT	8/24/20	CH	

COMAP REMOTE I/O PANEL



REFER TO SHT 6
"NETWORK TOPOLOGY" DWG

OIL FILL-UP SOLENOID



REV.	DESCRIPTION	DATE	BY
0	FINAL AS BUILT	8/24/20	CH

SCALE N/A	JOB NO: 13134ETF	DRAWING NO: 13134-20	SHEET: 21	REV: 0
--------------	---------------------	-------------------------	--------------	-----------