

FOR INDIVIDUAL GEN-SET MODEL TYPES SEE BROADCASTN LITERATURE

ENGINE TYPE: 6068HF  
ALTERNATOR: UC1274 H/F

USEABLE FUEL CAPACITY: 450L

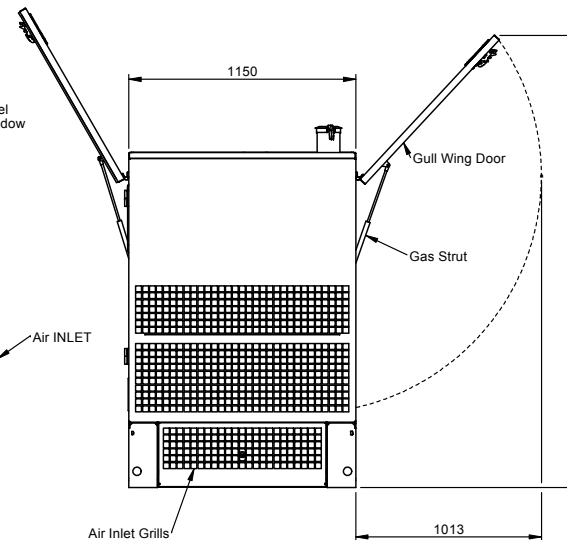
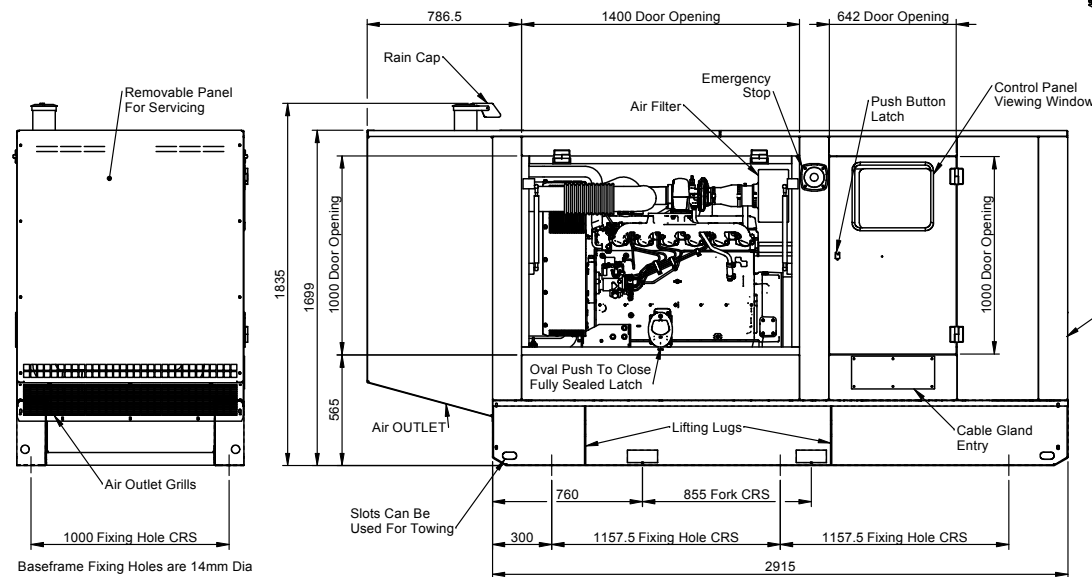
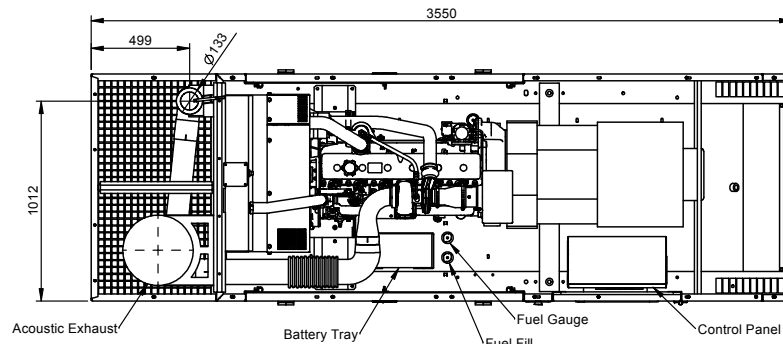
SHIPPING WEIGHT (WITHOIL): 2094Kg - 2190Kg

WET WEIGHT  
50.50 GLYCOL & FUEL: 2510Kg - 2605Kg

OIL CAPACITY: 19L  
COOLANT CAPACITY: 26L

GENERATOR IS TO BE PLACED ON A FLAT FLOOR OR CONCRETE BASE

PLEASE NOTE WEIGHTS MAY VARY DEPENDING ON  
ALTERNATOR COMBINATION



C	Stop Dish Moved Rear & Front Panel Detail Altered	PR	20/10/3
D	Exhaust Detail Changed To Reflect Production Drawings	PR	3/11/3
E	Fuel Capacity Corrected Weights Altered	PR	22/1/4
F	Drawing Updated	SJB	27/5/10

REV	DETAILS	APP'D	DATE
-----	---------	-------	------

NOTES - MECHANICAL  
TOLERANCES:  
GENERAL TOLERANCES: +/- 5mm  
FABRICATION: +/- 3mm  
HOLE CENTRES: +/- 1mm  
OTHER TOLERANCES AS OTHERWISE STATED WHERE REQUIRED  
GEOMETRICAL AND OTHER TOLERANCES AS STATED.

THIRD ANGLE PROJECTION

DESCRIPTION  
JD 6068HF Acoustic Canopy 3

SHEET 1 of 1  
CREATED BY: P RUTTER  
DATE: 27/05/10  
MODIFIED BY: S BEAN  
DATE: 27/05/10  
CHECKED BY: P RUTTER  
DATE: 27/05/10  
ISSUE: F

DRAWING No:  
**JGA007**  
  
Broadcrown Limited (Group Headquarters)  
Airfield Industrial Estate, Hixon, Stafford,  
ST18 0PF, United Kingdom.  
tels: +44 (0) 1889 272200  
www.broadcrown.com

MATERIAL:	
FINISH:	