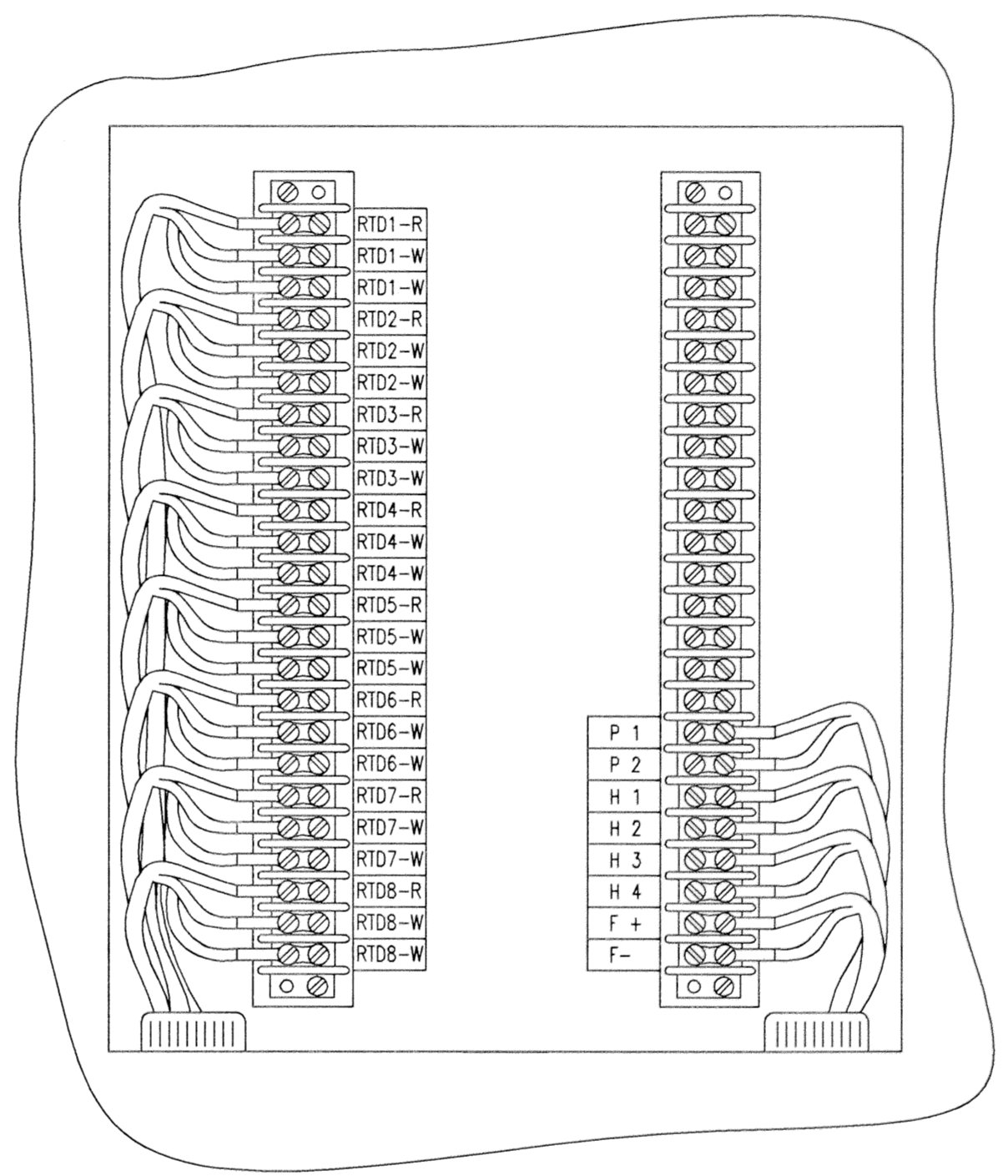
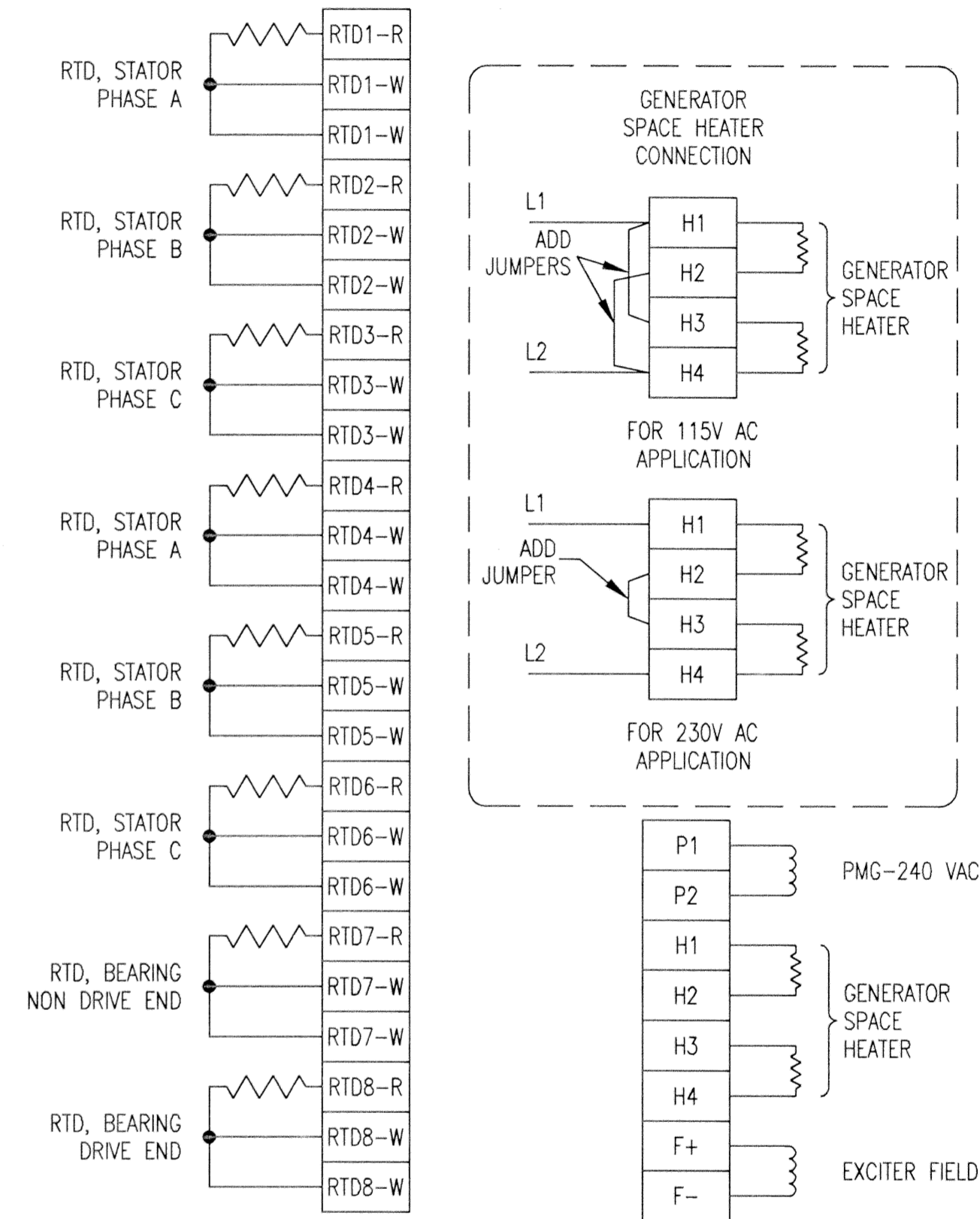


VIEW B-B

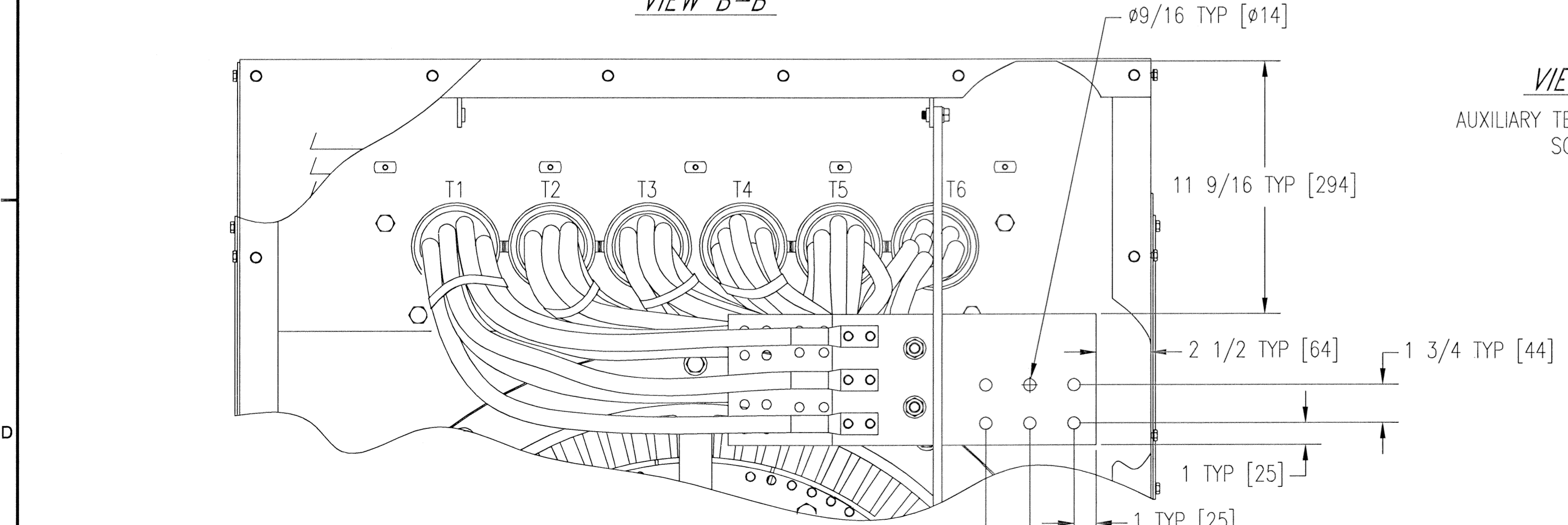


VIEW C-C

AUXILIARY TERMINAL BOX DETAIL
SCALE: NONE



AUXILIARY TERMINAL BOX
WIRING SCHEMATIC



VIEW E-E

BUS CONNECTION DETAIL
FOR ALL BUS

ALL DIMENSIONS ARE IN INCHES, UNLESS OTHERWISE SPECIFIED.

TOLERANCE EXCEPT NOTED		FRACTIONAL		
DECIMAL	XXX ± .005	± 1/16"		
	.XX ± .020	TIR .010		
	X ± .060	ANGULAR		
	FINISH 125	± 1/2		
DO NOT SCALE DRAWING				TITLE
DWN	12/03/02	CHK		GENERATOR OUTLINE
N. DOBROWOLSKI				S437UUT-579
APPVL		APPVL		SIZE DWG. NO.
				D G77434 SHT. 2 OF 2
REV	DATE	BY	APPVL	SCALE
				1/4
NEXT ASSY.	FSCM No.	52142		

THIS IS A PROPRIETARY DESIGN OF NATIONAL-OILWELL, L.P. REPRODUCTION OR USE OF THIS DESIGN BY OTHERS IS PERMISSIBLE ONLY IF EXPRESSLY AUTHORIZED IN WRITING BY NATIONAL-OILWELL, L.P.