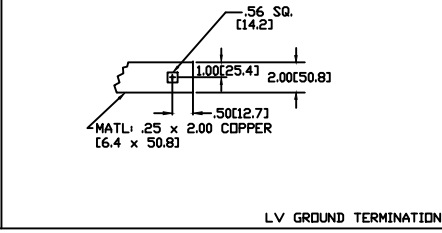
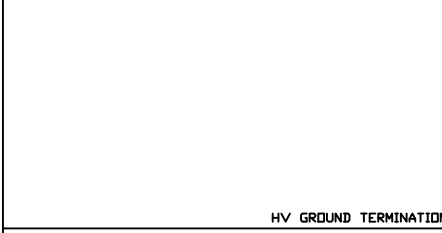
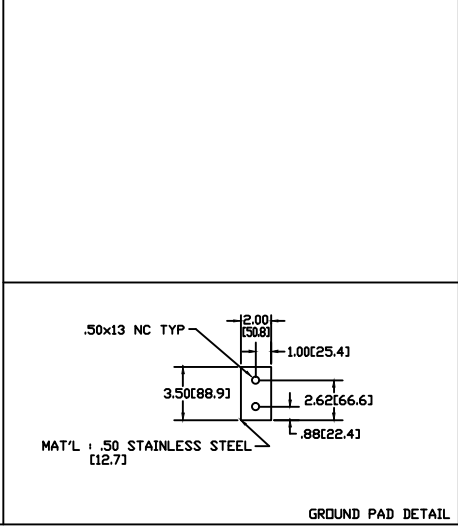
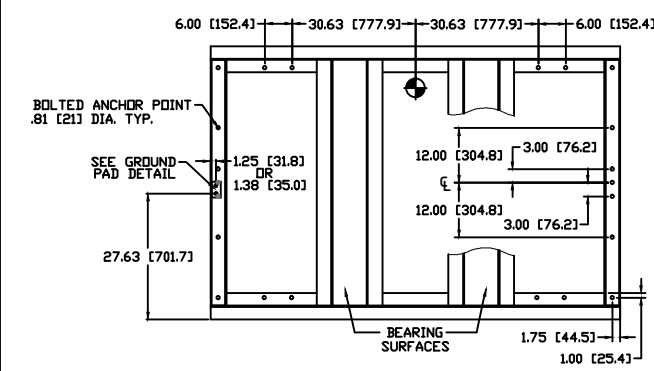
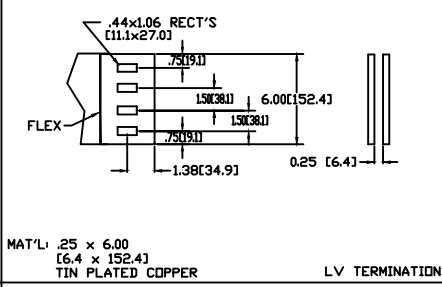
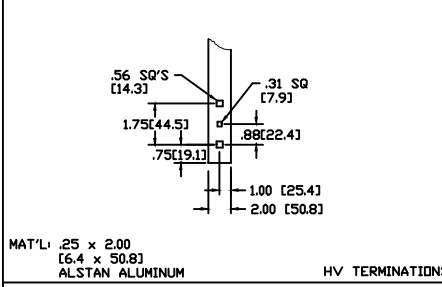
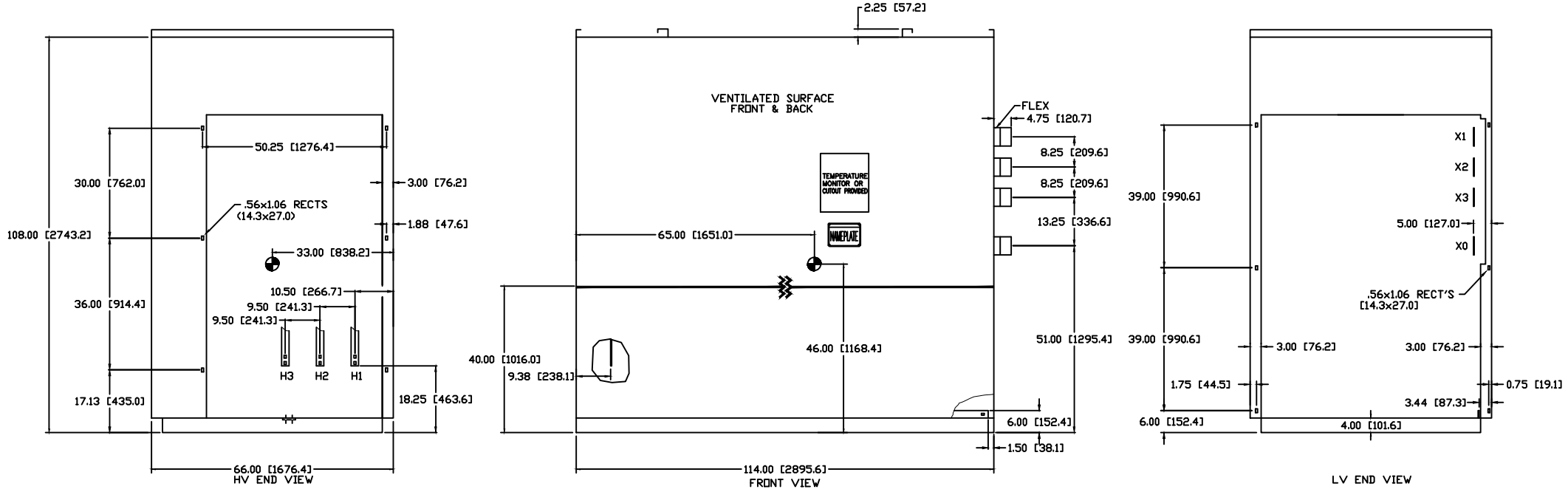
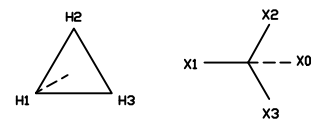


ENCLOSURE : NEMA 1 (Indoor Ventilated)
 FINISH : ANSI 61 Paint
 PRODUCT TYPE : VPI
 KVA : 2500/3333
 HV : 13200
 HV KV/BIL : 95
 LV : 480Y/277
 LV KV/BIL : 10
 TAPS : 12540/12870/13200/13530/13860
 IMPEDANCE : 5.75 % STD
 TEMPERATURE RISE : 115°C/115°C
 COOLING CLASS : AA/FA
 HERTZ : 60
 PHASE : 3
 LV WINDINGS : AL
 HV WINDINGS : AL
 SOUND LEVEL : 68 dB
 APPROXIMATE WEIGHT : 13400/6078 lbs/kg

LOUVERED VENTILATION
 COPPER GROUND BUS, .25" X 2.00"
 ANSI 61 PAINT
 UL LISTING
 3 PHASE WINDING TEMPERATURE INDICATOR
 FORCED COOLING
 IBC/CBC 4 SDS
 MIMIC BUS

ROOF IS DESIGNED FOR MAXIMUM 500 lbs LOAD
 MAINTAIN 6.00" FROM ANY VENTILATED SURFACE.
 CUSTOMER MOUNTING HOLE PATTERNS ARE ± 1/16". ALL OTHER MEASUREMENTS UNLESS OTHERWISE SPECIFIED ARE ± 1/4".
 ~ MEANS APPROXIMATE ± 3.00(76.2)
 ○ = CENTER OF GRAVITY ±6"



BASE DETAIL

GROUND PAD DETAIL

03

REVISION
 02/WAS 60 BIL.80 RISE
 108 WIDE, ADDED MIMIC BUS
 LPV 5/22/13 CK DPH
 02/CHE BOLTED ANCHOR LOC
 LPV 5/31/13 CK DPH

THE INFORMATION ON THIS DOCUMENT WAS CREATED BY CUTLER-HAMMER. IT WAS DISCLOSED IN CONFIDENCE AND IS ONLY TO BE USED FOR THE PURPOSE IN WHICH IT WAS SUPPLIED.

DFTR PROG	DATE 9/17/2012
APPD LIWA	DATE 9/17/2012
S.O. 1LUB-TX11660001,002	
REVISION 03	

TITLE WAYNE CO. CONSOLIDATED JA 002,005	
TYPE VENT	OUTLINE
G.O. MDT0006091	DWG 116600L1
SHEET 1 OF 01	