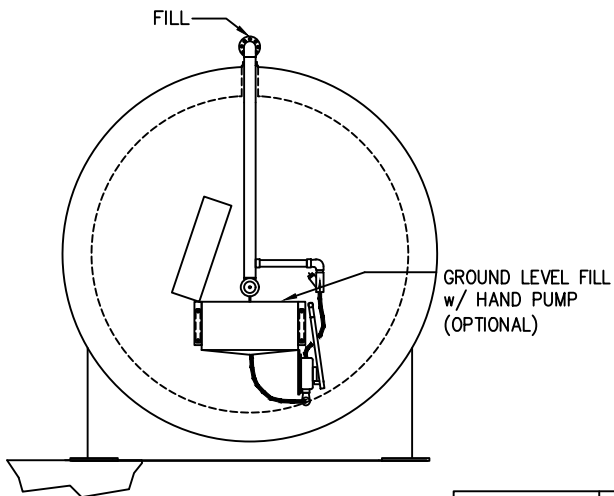
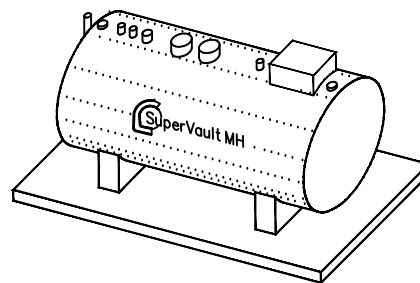


ELEVATION

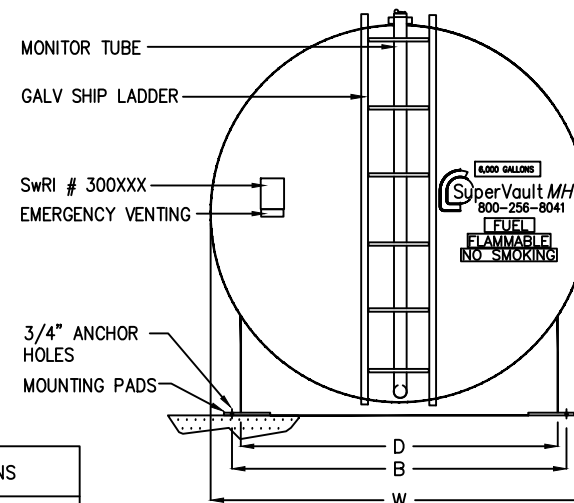


LEFT END VIEW

SHOWN w/ OPTIONAL GROUND LEVEL FILL



ISOMETRIC VIEW



RIGHT END VIEW

MODEL NO.	DIMENSIONS						APPROX WT (LBS)	CONFIGURATIONS
	A	B	D	L	H	W		
MH-D4-6000	17'-8"	7'-3"	7'-0"	22'-10"	8'-5"	8'-1"	26,800	6000, 3000/3000, 4000/2000
MH-D5-6000	7'-7"	9'-6"	9'-3"	13'-4"	11'-1"	10'-9"	26,800	6000, (NO SPLITS AVAILABLE)

Specifications subject to change without notice.



PROJECT:	
CUSTOMER:	
ENGINEER:	
ORDER #:	PROJ #:

TITLE: 6000 GALLON CYLINDRICAL TANK DIMENSIONAL INFORMATION	
DATE	DWG. NO.
2018	MH6K