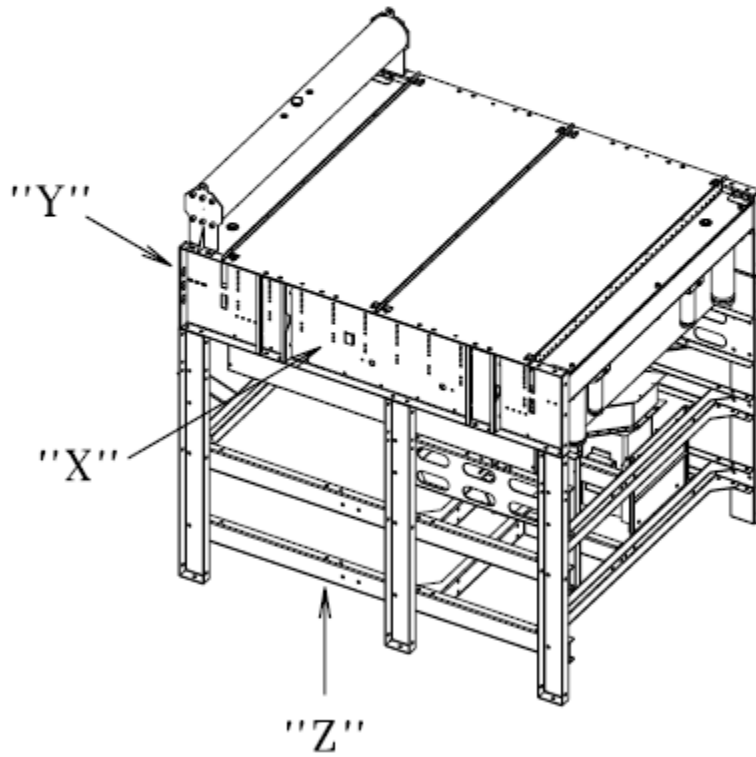
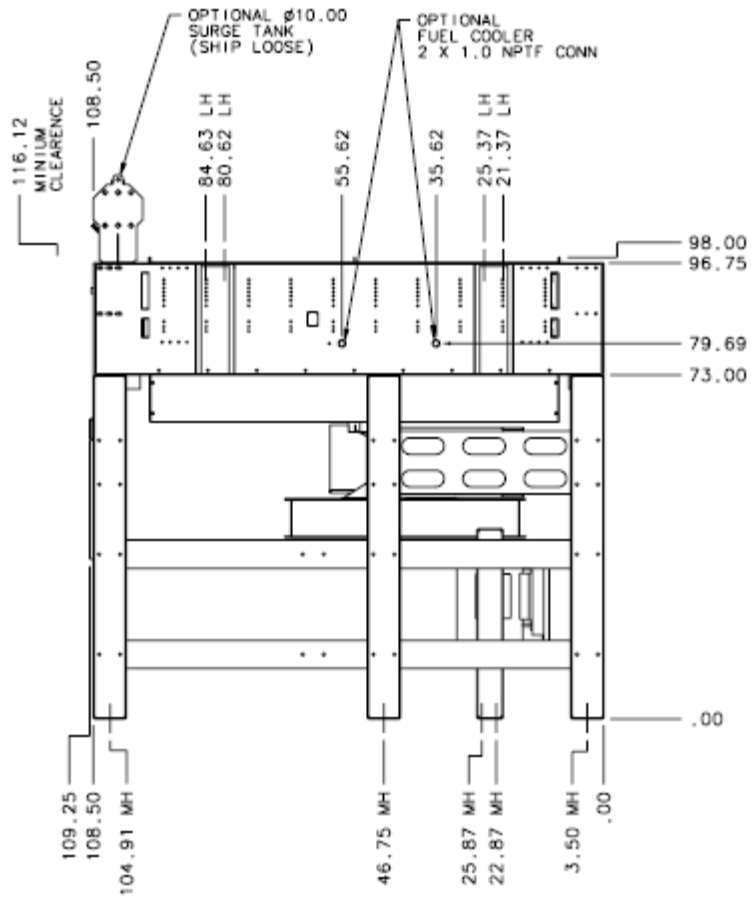


DS
MODEL HB
HORIZONTAL CORE/REMOTE MOUNT/MOTOR DRIVEN FAN/V-BELT DRIVE
SUBMITTAL/APPROVAL DRAWING - PAGE 1 OF 4



ISOMETRIC VIEW

DS
SUBMITTAL/APPROVAL DRAWING - PAGE 2 OF 4

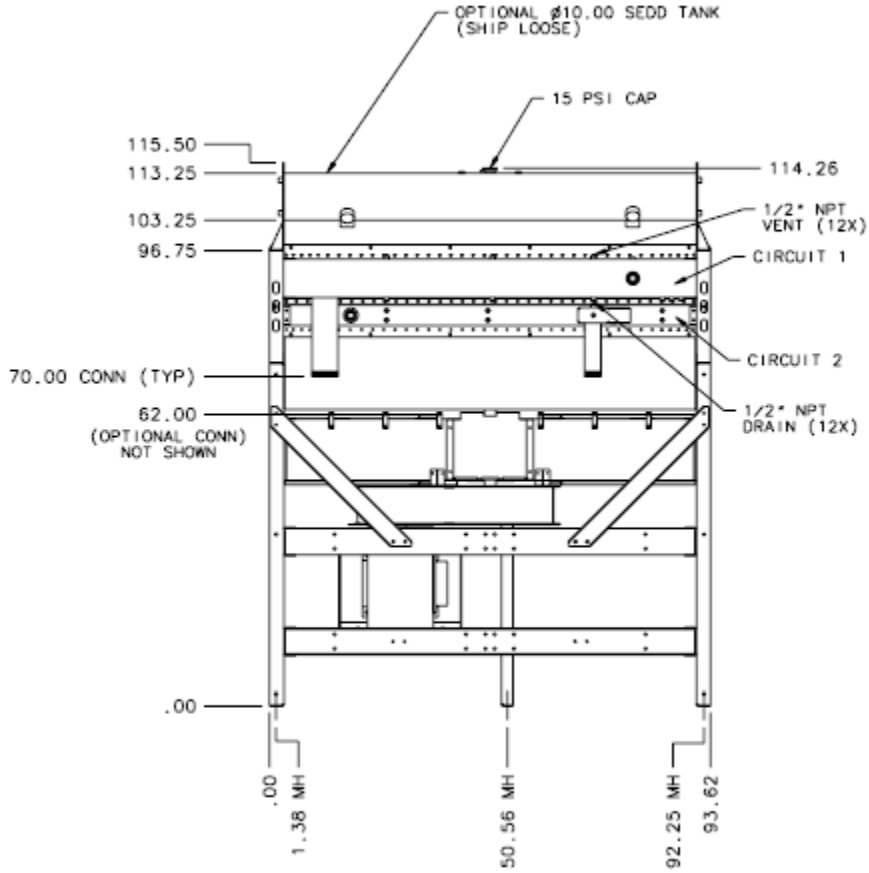


X VIEW

NOTE: $\phi 0.75$ MOUNTING HOLES (MH) IN 8 PLACES.
 $\phi 0.75$ LIFTING HOLES (LH) IN 8 PLACES.

DS

SUBMITTAL/APPROVAL DRAWING - PAGE 3 OF 4

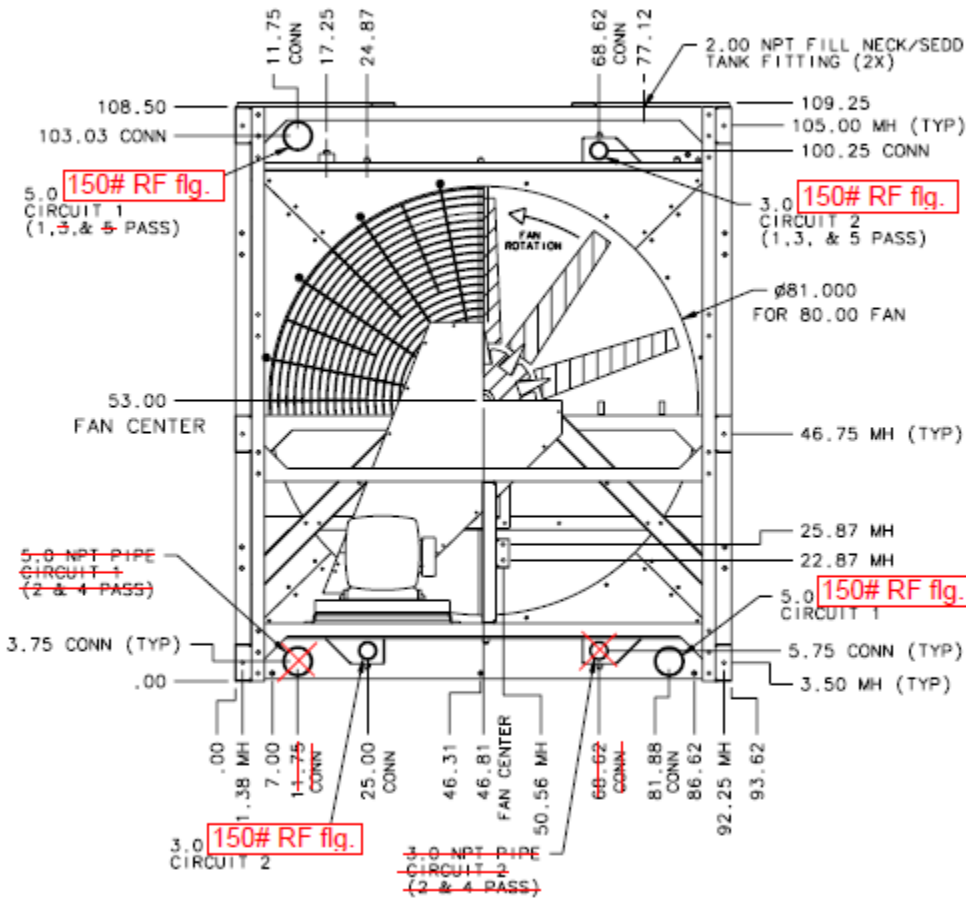


Y VIEW

NOTE: ϕ 0.75 MOUNTING HOLES (MH) IN 8 PLACES.

DS

SUBMITTAL/APPROVAL DRAWING - PAGE 4 OF 4



NOTE: ø0.75 MOUNTING HOLES (MH) IN 8 PLACES.

"Z" VIEW

NOTE: REFER TO DS QUOTE OR SPEC SHEET TO DETERMINE CIRCUIT 1 & CIRCUIT 2 PASS ARRANGEMENTS.