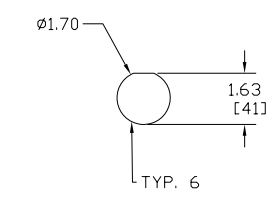
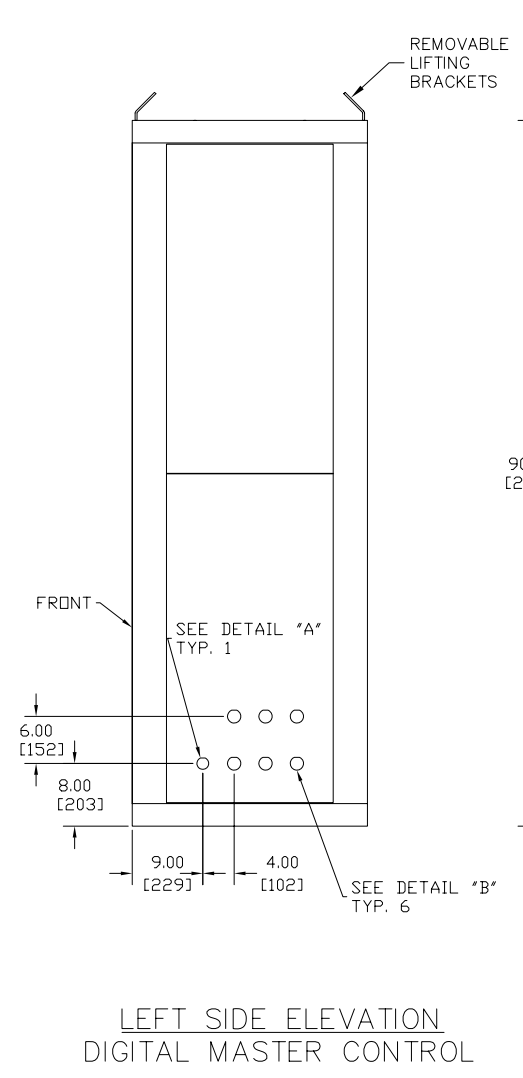


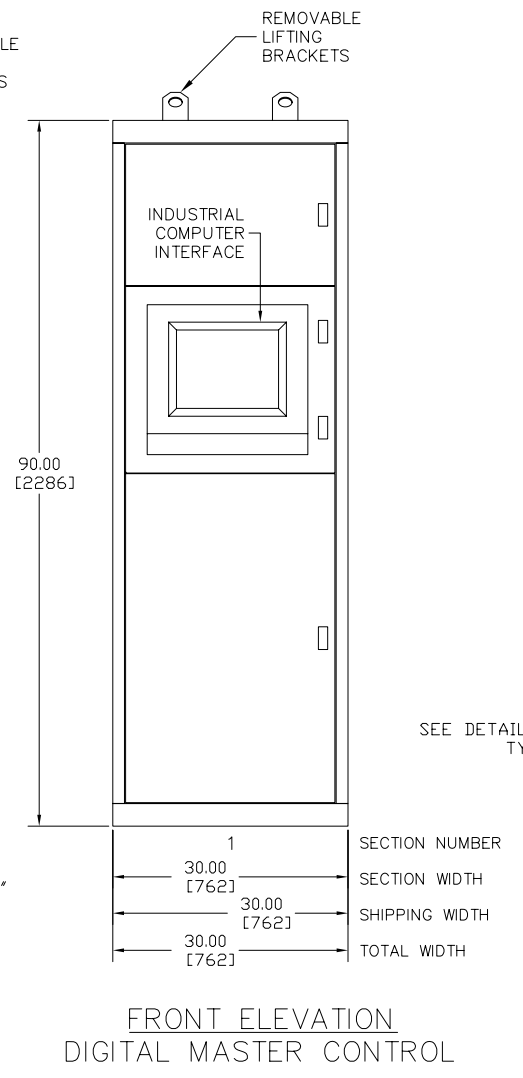
DETAIL "A"  
HOLE CUTOUT



DETAIL "B"  
HOLE CUTOUT

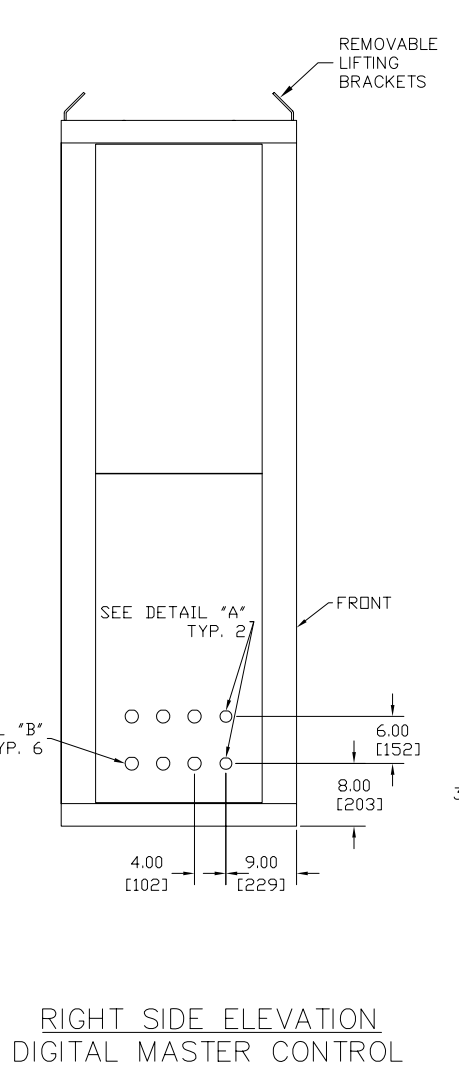


LEFT SIDE ELEVATION  
DIGITAL MASTER CONTROL

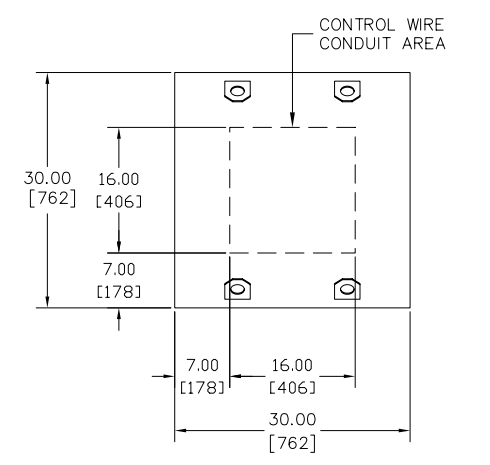


FRONT ELEVATION  
DIGITAL MASTER CONTROL

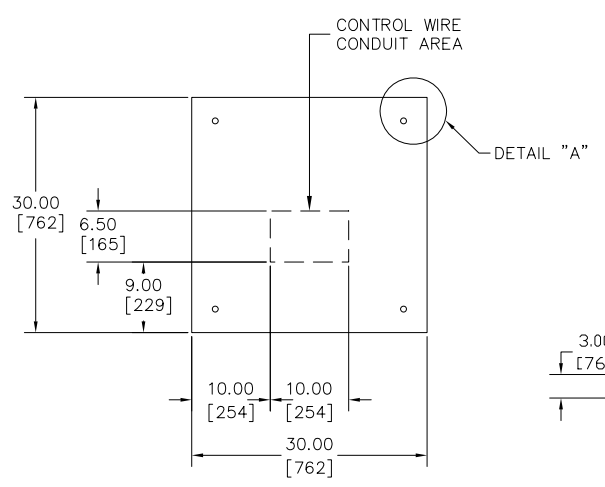
1	SECTION NUMBER
30.00 [762]	SECTION WIDTH
30.00 [762]	SHIPPING WIDTH
30.00 [762]	TOTAL WIDTH



RIGHT SIDE ELEVATION  
DIGITAL MASTER CONTROL



TOP VIEW  
DIGITAL MASTER CONTROL



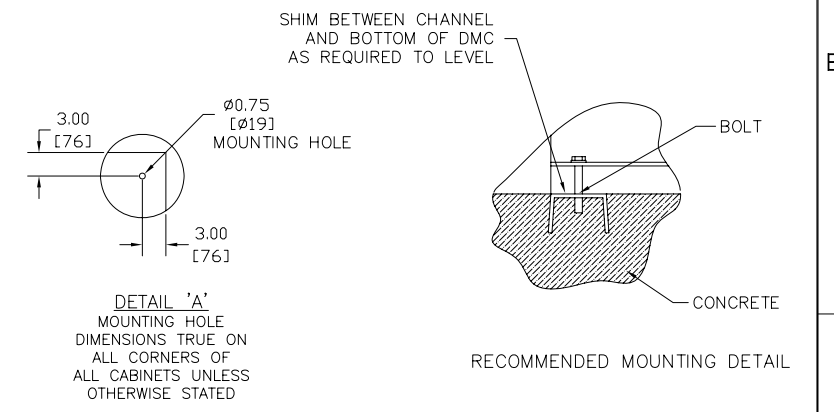
FLOOR PLAN  
DIGITAL MASTER CONTROL

MASTER CONTROL GENERAL NOTES

SECTION LABELED AS UL891  
ALLOW 36" MINIMUM FOR FRONT ACCESS AND DOOR SWING  
INDOOR NEMA 1 ENCLOSURE  
SHIPPING WEIGHT, 1000 LBS 454 KG

INSTALLATION-FOUNDATION REQUIREMENTS

THE DIGITAL MASTER CONTROL (DMC) MUST BE INSTALLED ON A FLAT, LEVEL SURFACE. CUMMINS RECOMMENDS INSTALLING THE DMC ON A PAD LEVELED TO 1/8 [3] IN ANY SQUARE YARD. USE CONCRETE ANCHOR BOLTS OR INSTALL STEEL CHANNELS IN THE PAD FOR BOLTING OF GEAR (SEE BELOW)



DETAIL 'A'  
MOUNTING HOLE  
DIMENSIONS TRUE ON ALL CORNERS OF ALL CABINETS UNLESS OTHERWISE STATED

ECO NO.	LTR NO.	REVISION	ZONE	DR	CHKR	APPROVED	DATE	ECO NO.	LTR NO.	REVISION	ZONE	DR	CHKR	APPROVED	DATE
								FRD34361	A	1					08/14/08
PROJECT: I-BEAR DISTRIBUTOR: CUMMINS GOVERNMENT SALES PRODUCTION RELEASE, AS-BUILT															

PROJECT: I-BEAR		DISTRIBUTOR: CUMMINS GOVERNMENT SALES	
-----------------	--	---------------------------------------	--

DO NOT SCALE PRINT				PART NO.		DWG SIZE		DESCRIPTION OF MATERIAL		REF DES	
SM TO		NAME		DATE		DATE		DATE		DATE	
COPIED FROM		DR S. WENTZEL		03/03/08		03/03/08		03/03/08		03/03/08	
THREE ANGLE PROJECTION		CHKR MFG H. OBEID		03/03/08		03/03/08		03/03/08		03/03/08	
ANG TOL		DRAWN TO SCALE OF		APPROVED H. OBEID		03/03/08		03/03/08		03/03/08	
AUTOCAD DWG				FOR INTERPRETATION OF DIMENSIONING AND TOLERANCING, SEE ANSIS Y14.5M-1982		MODEL FIRST USED ON		SITE CODE		TITLE	
						PCIL2006R-653F		PGA		CUMMINS POWER GENERATION	
										SWITCHGEAR OUTLINE	
										0500-5013	
										1 of 1	