

TABLE OF CONTENTS

Installation	Page	Description	
0625_5206	1	TABLE OF CONTENTS	04/01/08
0625_5206	2	52-GB AND TB-COMM TERMINAL BLOCKS, SECTION 1	04/01/08
0625_5206	3	52-G DC SCHEMATICS, SECTION 1	04/01/08
0625_5206	4	52-G AC SCHEMATIC, SECTION 1	04/01/08
0625_5206	5	GENSET TO DMC PLUG, CIB	04/01/08
0625_5206	6	GENSET TO GENSET IN AND OUT PLUGS, CIB	04/01/08
0625_5206	7	TB-GBPT AND TB-GEN, CIB	04/01/08
0625_5206	8	TERMINATOR PLUGS	04/01/08
0625_5206	9	SECTION 1, CELL A DOOR LAYOUT	04/01/08
0625_5206	10	SECTION 1, CELL A LAYOUT	04/01/08
0625_5206	11	SECTION 1, CELL B LAYOUT	04/01/08
0625_5206	12	CUSTOMER INTERFACE BOX, CIB, LAYOUT	04/01/08
0625_5206	13	CUSTOMER INTERFACE BOX, CIB, BOTTOM LAYOUT	04/01/08

D

D

C

C

B


B

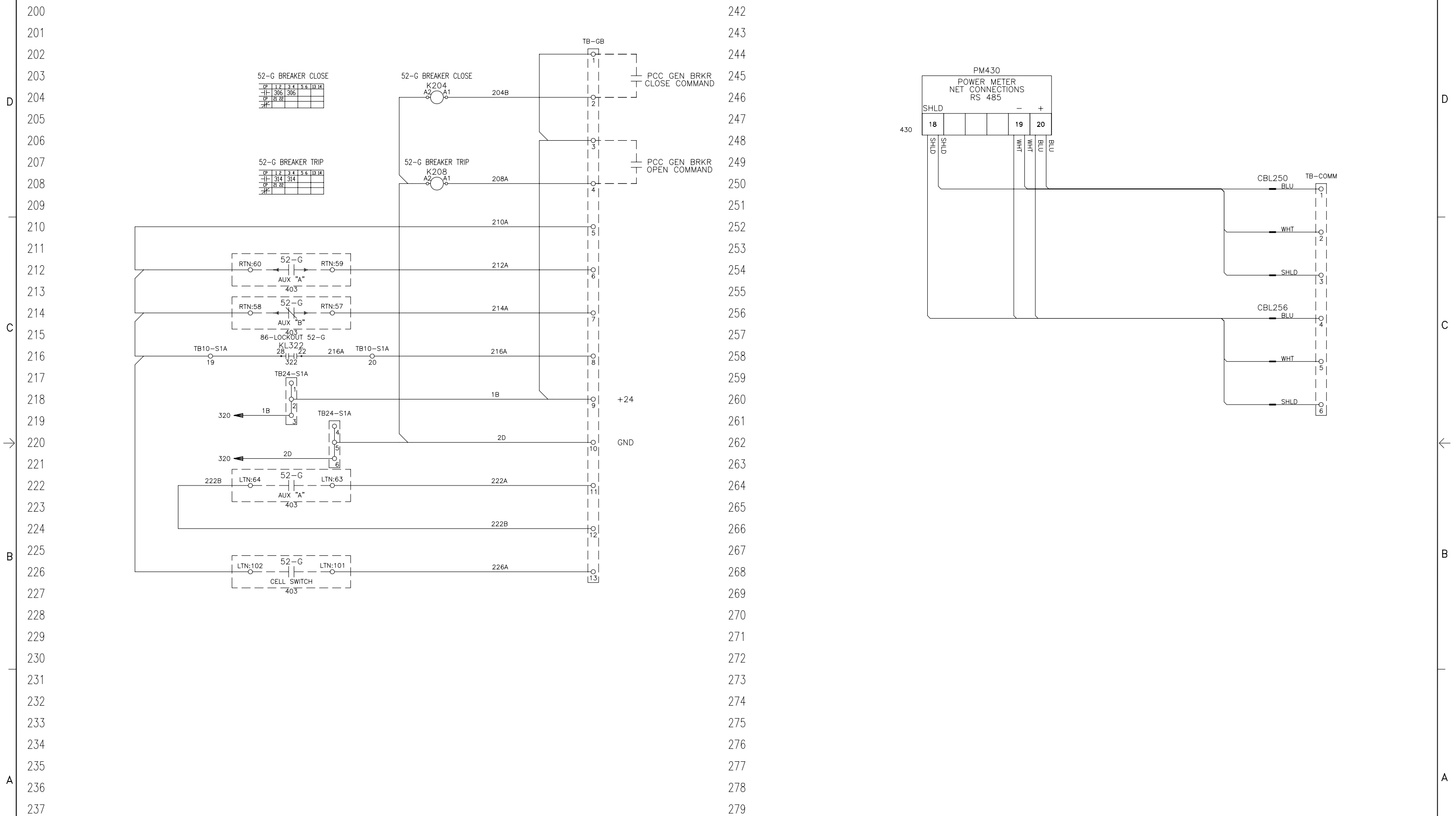
A

A

ECO NO.	LTR NO.	REVISION	ZONE	DR	CHKR	APPROVED	DATE	ECO NO.	LTR NO.	REVISION	ZONE	DR	CHKR	APPROVED	DATE	
								FRD34332	A	-	PRODUCTION RELEASE, AS-BUILT	-	HO	SP	HO	08/13/08

PROJECT:
I-BEAR
TABLE OF CONTENTS
DISTRIBUTOR:
CUMMINS GOVERNMENT SALES

DO NOT SCALE PRINT	SM TO	PART NO.		REF DES
	COPIED FROM	NAME	DATE	CUMMINS POWER GENERATION
THREE ANGLE PROJECTION	<input checked="" type="checkbox"/> FIRST ANGLE	DR H. OBEID	04/01/08	 <small>1400 73rd AVE. NE MINNEAPOLIS, MN 55412</small>
	<input type="checkbox"/> THIRD ANGLE	CHKR S. PRATER	04/01/08	
ANG TOL.	DRAWN TO SCALE OF	APPROVED H. OBEID	04/01/08	TITLE
THIS DOCUMENT IS THE PROPERTY OF CUMMINS POWER GENERATION. IT CONTAINS PROPRIETARY AND CONFIDENTIAL INFORMATION WHICH MUST NOT BE REPRODUCED, USED OR DISCLOSED OTHER THAN EXPRESSLY AUTHORIZED BY CUMMINS POWER GENERATION OR ITS REPRESENTATIVE.		MODEL FIRST USED ON	SITE CODE	SHEET
AUTOCAD DWG		SPCL9999R-604A	PGA	1 of 13
		DWG NO.	0625-5206	DWG SIZE
				D

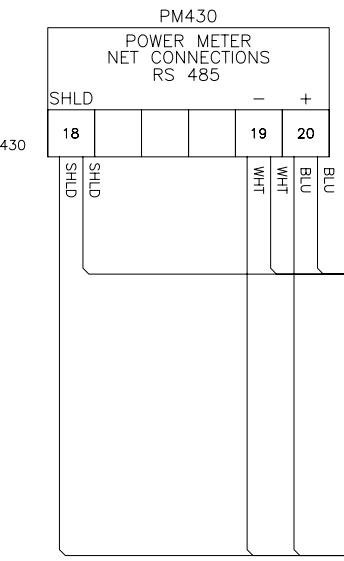


52-G BREAKER CLOSE

CP	1	2	3	4	5	6	13	14
CP	306	306						
CP	21	22						

52-G BREAKER TRIP

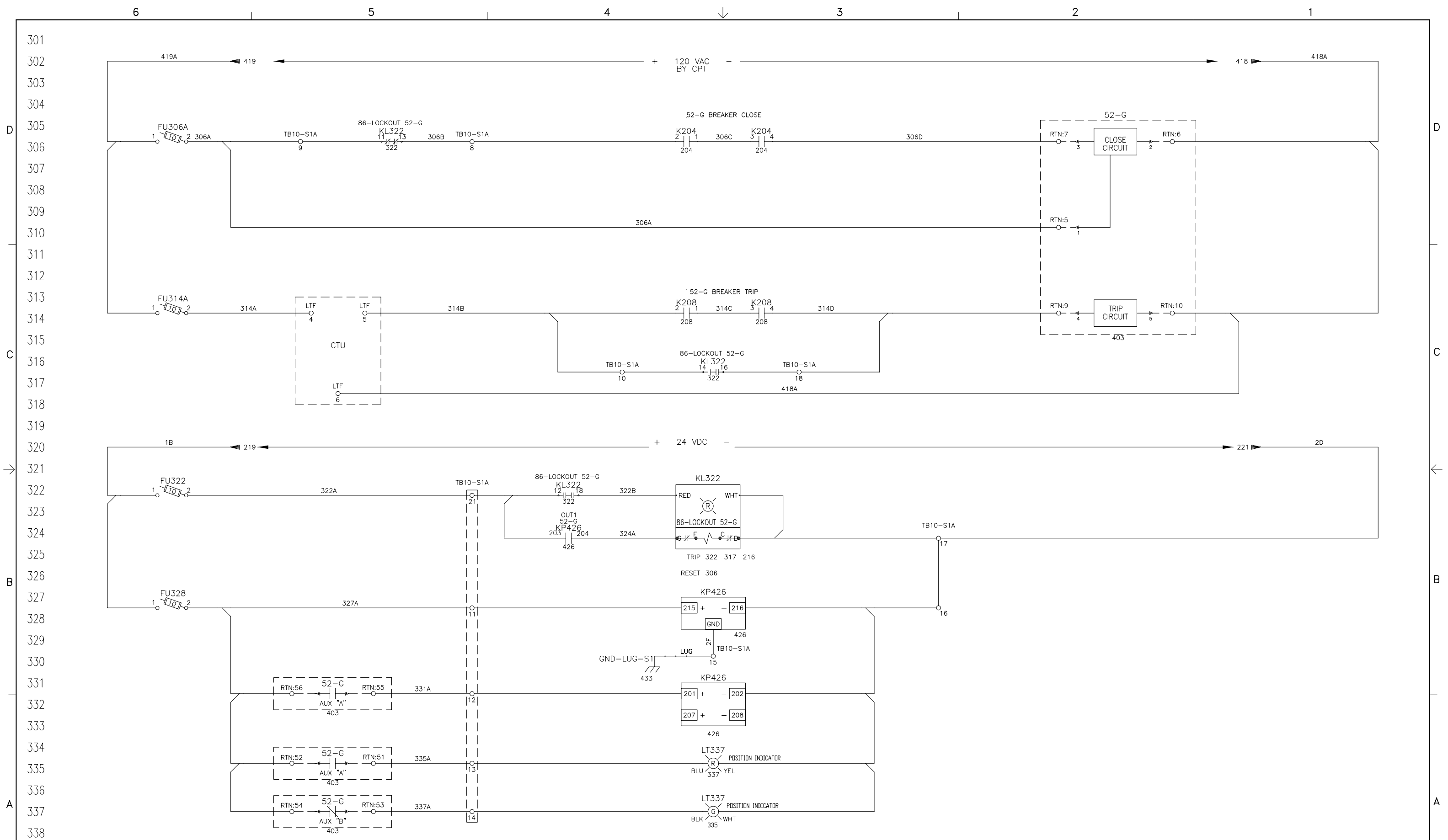
CP	1	2	3	4	5	6	13	14
CP	314	314						
CP	21	22						



ECO NO.	LTR	NO.	REVISION	ZONE	DR	CHKR	APPROVED	DATE	ECO NO.	LTR	NO.	REVISION	ZONE	DR	CHKR	APPROVED	DATE
									FRD34332	A		PRODUCTION RELEASE, AS-BUILT		HO	SP	HO	08/13/08

PROJECT:
I-BEAR
52-GB AND TB-COMM TERMINAL BLOCKS, SECTION 1
DISTRIBUTOR:
CUMMINS GOVERNMENT SALES

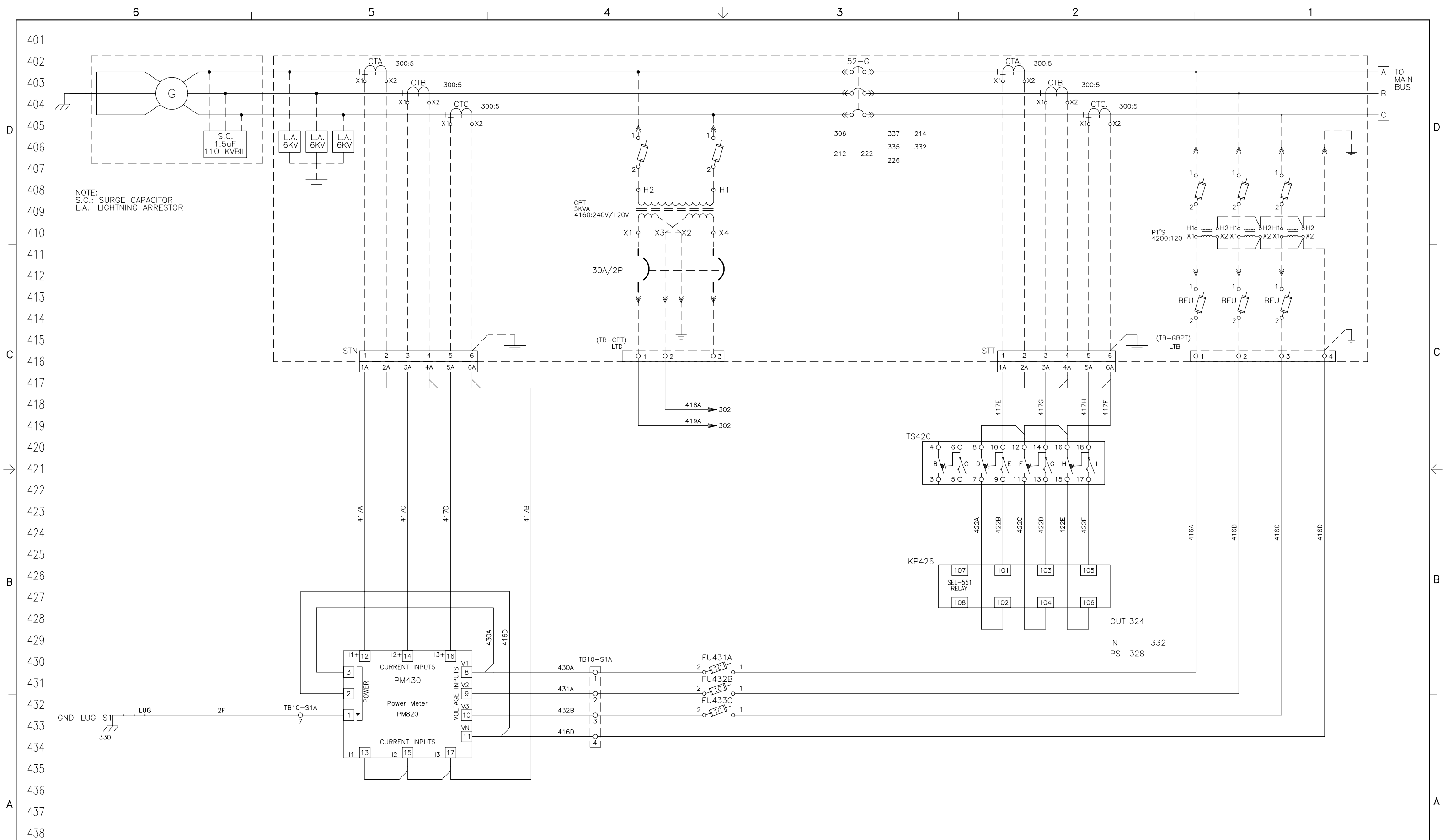
DO NOT SCALE PRINT		SM TO	PART NO.	DWG SIZE	DESCRIPTION OF MATERIAL	REF DES
COPIED FROM	THREE ANGLE PROJECTION	NAME	H. OBEID	DATE	04/01/08	CUMMINS POWER GENERATION
ANG TOL	SCALE OF	CHKR	S. PRATER	DATE	04/01/08	1400 75th AVE NE MINNEAPOLIS, MN 55432
AUTOCAD DWG		APPROVED	H. OBEID	DATE	04/01/08	TITLE SCHEMATIC-SWITCHGEAR
		FOR INTERPRETATION OF DIMENSIONING AND TOLERANCING, SEE ANSIS Y14.5M-1982		MODEL FIRST USED ON	SPCL9999R-604A	SITE CODE PGA
				DWG NO.	0625-5206	SHEET 2 of 13
				DWG SIZE	D	



ECO NO.	LTR	NO.	REVISION	ZONE	DR	CHKR	APPROVED	DATE

PROJECT:
 I-BEAR
 52-G DC SCHEMATICS, SECTION 1
 DISTRIBUTOR:
 CUMMINS GOVERNMENT SALES

DO NOT SCALE PRINT		SM TO	PART NO.	DWG SIZE	DESCRIPTION OF MATERIAL	REF DES
THREE ANGLE PROJECTION		DR H. OBEID	NAME	DATE		
ANG TOL		CHKR S. PRATER		04/01/08		
AUTOCAD DWG		APPROVED H. OBEID		04/01/08		
		FOR INTERPRETATION OF DIMENSIONING AND TOLERANCING, SEE ANS1 Y14.5M-1982		MODEL FIRST USED ON	SITE CODE	
		SPCL9999R-604A		PGA		
		0625-5206				
		3 of 13				
		D				



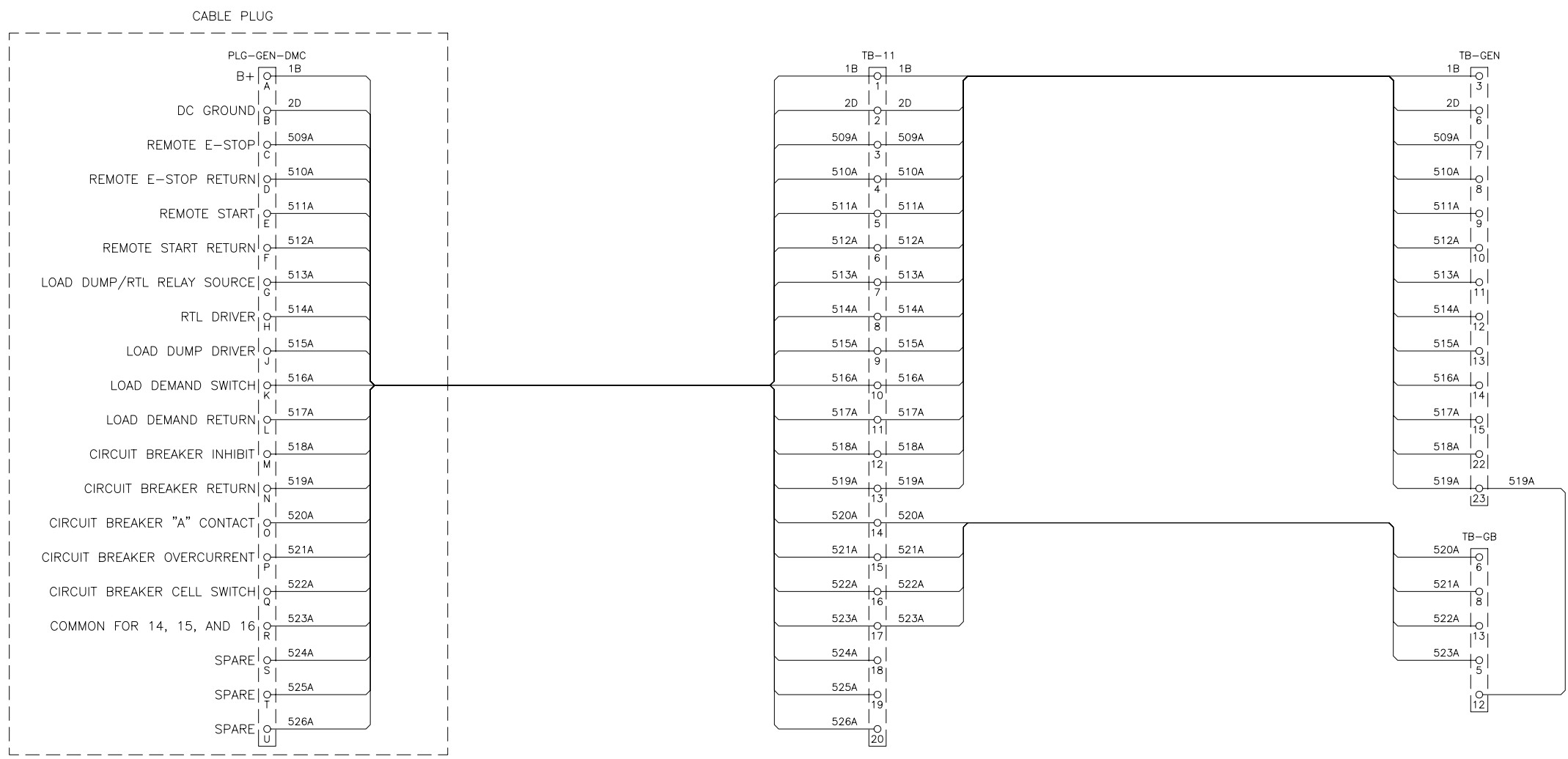
ECO NO.	LTR	NO.	REVISION	ZONE	DR	CHKR	APPROVED	DATE

PROJECT:
 I-BEAR
 52-G AC SCHEMATIC, SECTION 1
 DISTRIBUTOR:
 CUMMINS GOVERNMENT SALES

FRD34332 A - PRODUCTION RELEASE, AS-BUILT - HO SP HO 08/13/08

DO NOT SCALE PRINT		SW TO	PART NO.	DWG SIZE	DESCRIPTION OF MATERIAL	REF DES.
COPIED FROM		NAME	H. OBEID	04/01/08	CUMMINS POWER GENERATION	1400 75th AVE NE MINNEAPOLIS, MN 55432
THREE ANGLE PROJECTION		DATE	S. PRATER	04/01/08	TITLE	SCHEMATIC-SWITCHGEAR
ANG TOL		APPROVED	H. OBEID	04/01/08	SITE CODE	PGA
AUTOCAD DWG		FOR INTERPRETATION OF DIMENSIONING AND TOLERANCING, SEE ANSIS: Y14.5M-1982	MODEL FIRST USED ON	SPCL9999R-604A	DWG NO.	0625-5206
					SHEET	4 of 13
					DWG SIZE	D

GENSET TO DMC PLUG
CUSTOMER INTERFACE BOX (CIB)



6 5 4 3 2 1

D

501

502

503

504

505

506

507

508

509

510

511

512

513

514

515

C

516

517

518

519

520

521

522

523

524

525

B

526

527

528

529

530

531

532

533

534

535

536

A

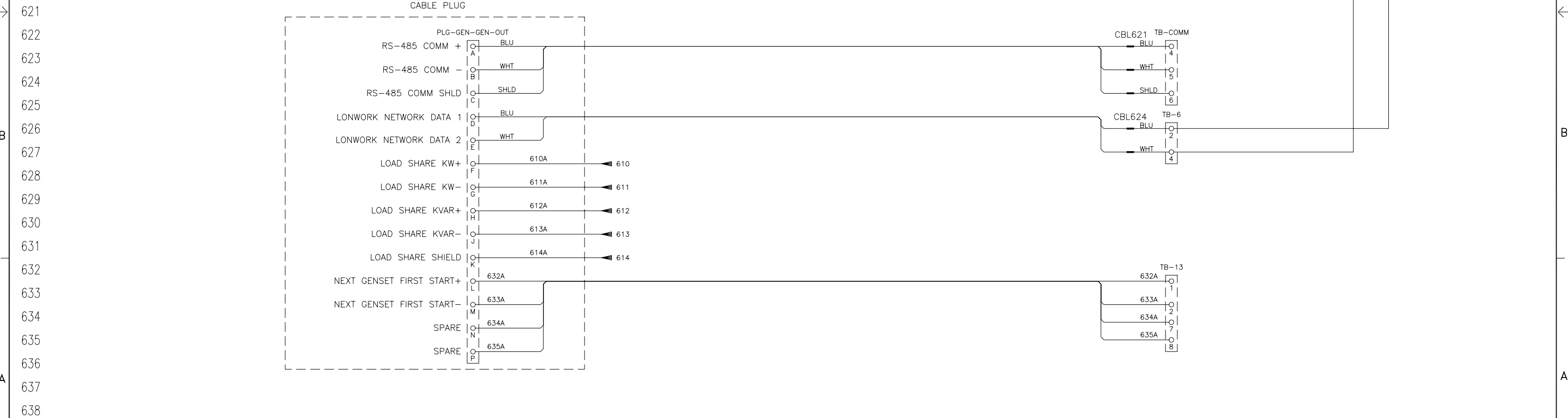
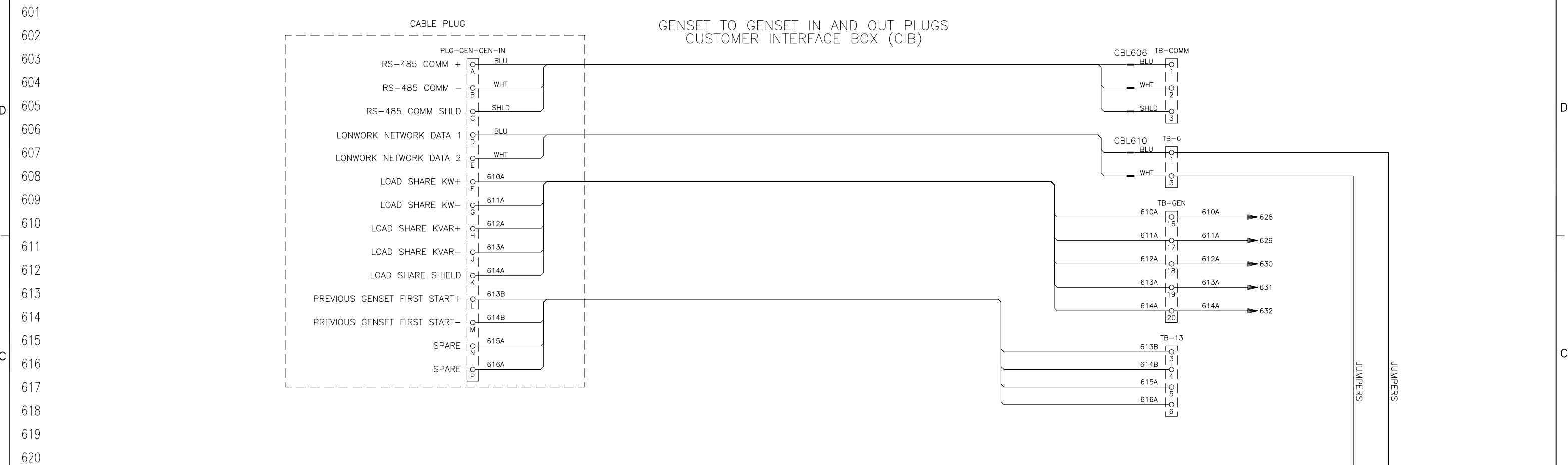
537

538

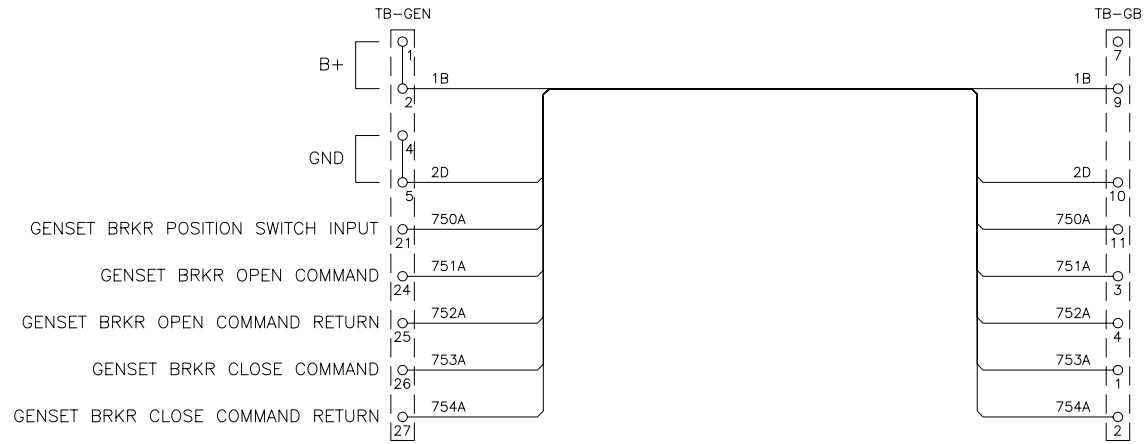
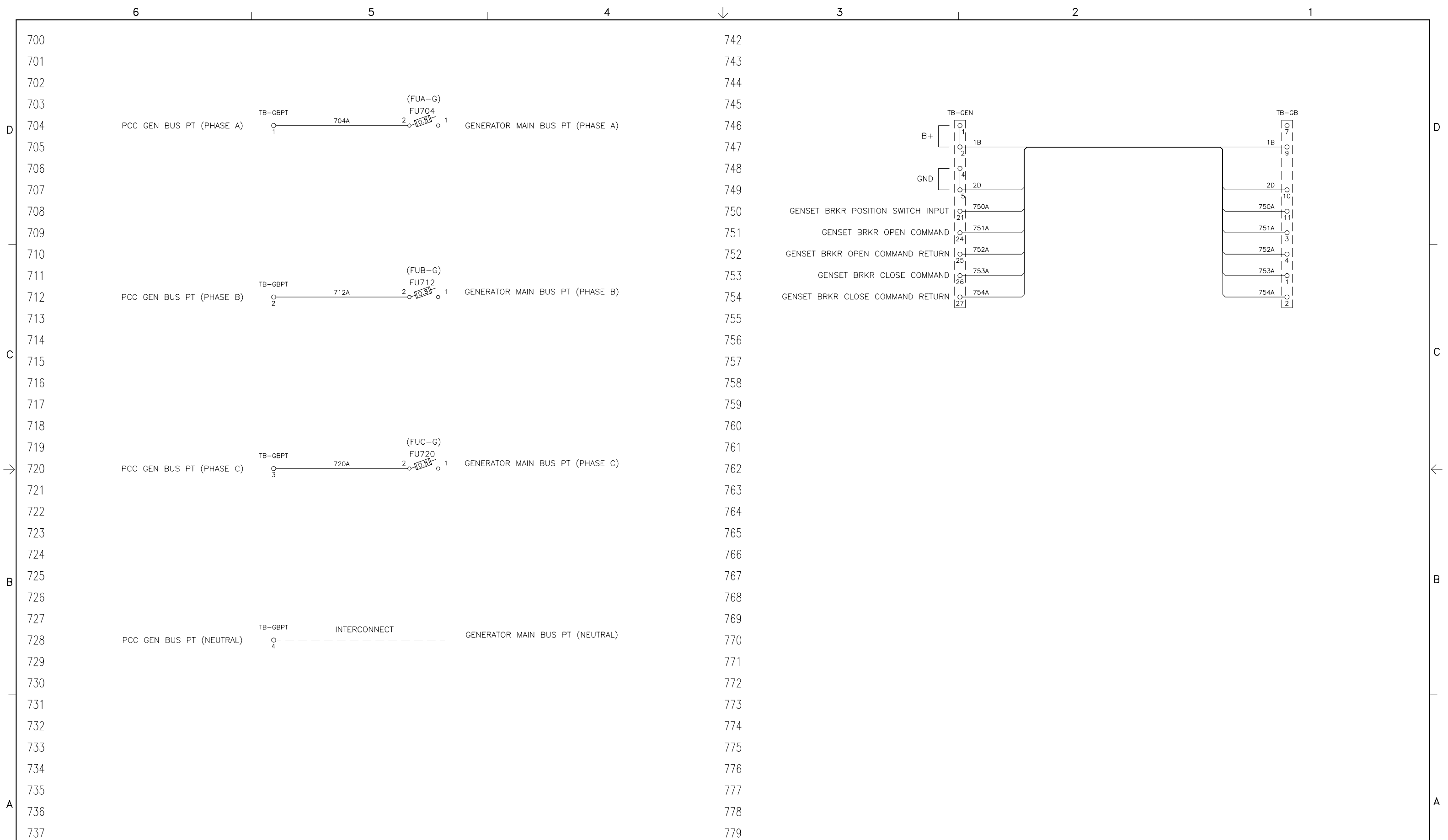
ECO NO.	LTR	NO.	REVISION	ZONE	DR	CHKR	APPROVED	DATE

PROJECT:
I-BEAR
GENSET TO DMC PLUG, CIB
DISTRIBUTOR:
CUMMINS GOVERNMENT SALES

DO NOT SCALE PRINT		SM TO	PART NO.	DWG SIZE	DESCRIPTION OF MATERIAL	REF DES.
THREE ANGLE PROJECTION		DR	H. OBEID	DATE	04/01/08	<p>CUMMINS POWER GENERATION 1400 75th AVE. NE MINNEAPOLIS, MN 55432</p>
ANG. TOL.		CHKR	S. PRATER	DATE	04/01/08	
DRAWN TO SCALE OF		APPROVED	H. OBEID	DATE	04/01/08	
AUTOCAD DWG		MODEL FIRST USED ON		SITE CODE	PGA	TITLE
		SPCL9999R-604A				SCHEMATIC-SWITCHGEAR
				DWG NO.	0625-5206	SHEET
						5 of 13
						DWG SIZE
						D



PROJECT: I-BEAR GENSET TO GENSET IN AND OUT PLUGS, CIB DISTRIBUTOR: CUMMINS GOVERNMENT SALES												DO NOT SCALE PRINT		SM TO	PART NO.	DWG SIZE	DESCRIPTION OF MATERIAL	REF DES.			
FRD34332 A - PRODUCTION RELEASE, AS-BUILT - HO SP HO 08/13/08												THREE ANGLE PROJECTION		DR H. OBEID	NAME S. PRATER	DATE 04/01/08	DATE 04/01/08	DATE 04/01/08	CUMMINS POWER GENERATION 1400 75th AVE NE MINNEAPOLIS, MN 55432		
ECO NO. LTR NO. REVISION												ANG TOL		APPROVED H. OBEID		SITE CODE	TITLE SCHEMATIC-SWITCHGEAR	DWG NO. SPCL9999R-604A	SHEET 6 of 13	DWG SIZE D	
6												AUTOCAD DWG		FOR INTERPRETATION OF DIMENSIONING AND TOLERANCING, SEE ANSII Y14.5M-1982		MODEL FIRST USED ON		PGA		0625-5206	
6												3		2		1		1		1	

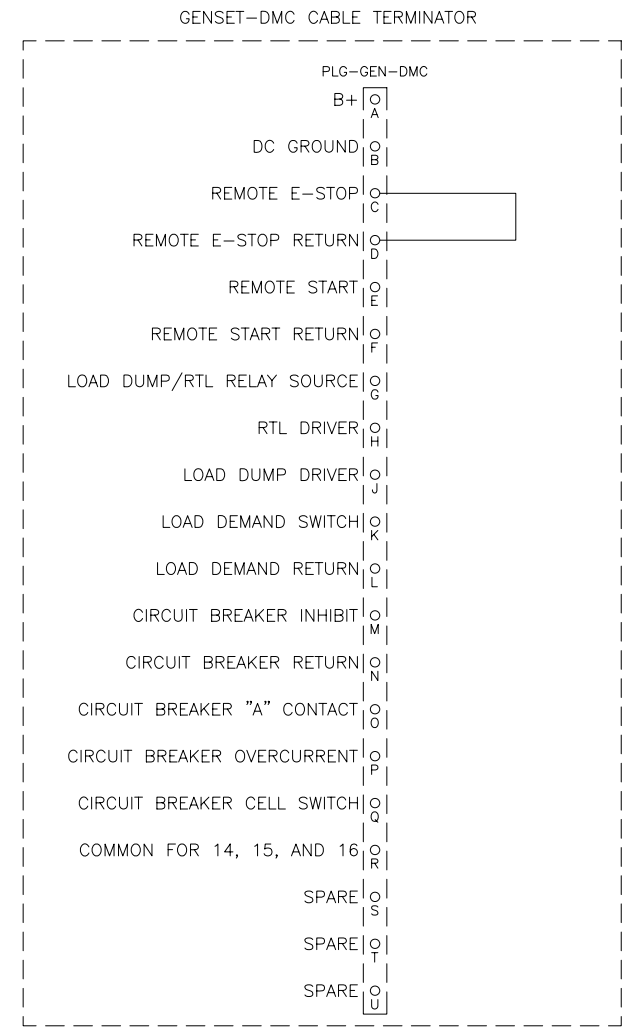
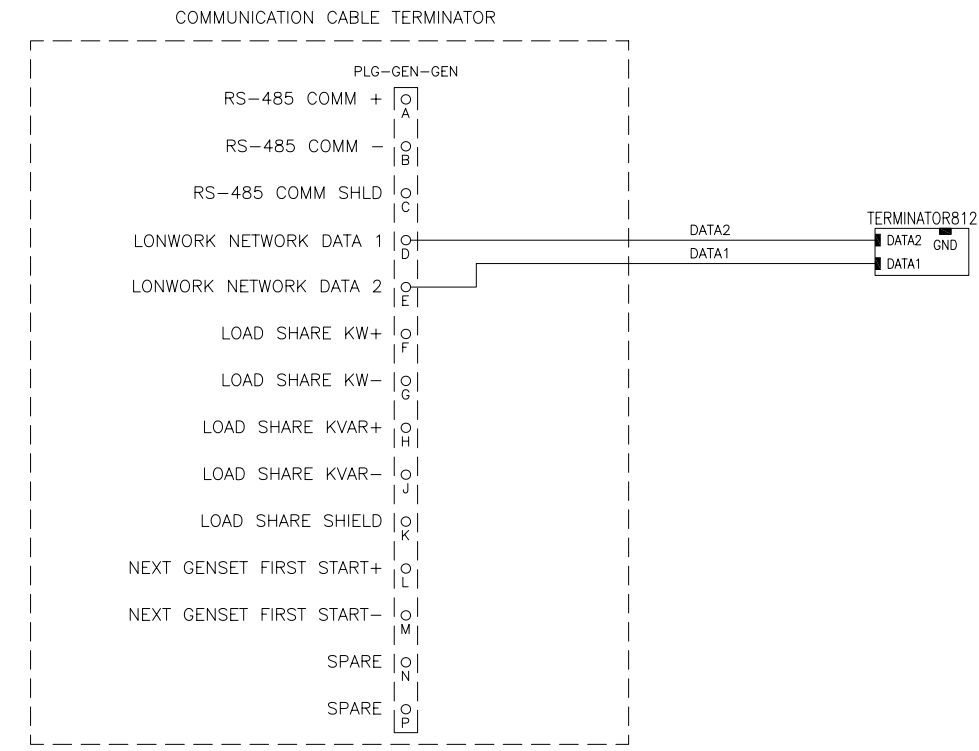


ECO NO.	LTR	NO.	REVISION	ZONE	DR	CHKR	APPROVED	DATE	ECO NO.	LTR	NO.	REVISION	ZONE	DR	CHKR	APPROVED	DATE
									FRD34332	A	-	PRODUCTION RELEASE, AS-BUILT	-	HO	SP	HO	08/13/08

PROJECT:
I-BEAR
TB-GBPT AND TB-GEN, CIB
DISTRIBUTOR:
CUMMINS GOVERNMENT SALES

DO NOT SCALE PRINT		SM TO	PART NO.	DWG SIZE	DESCRIPTION OF MATERIAL	REF DES.	
COPIED FROM	THREE ANGLE PROJECTION	NAME	H. OBEID	DATE	04/01/08	CUMMINS POWER GENERATION <small>1400 75th AVE. NE MINNEAPOLIS, MN 55432</small>	
ANG TOL.	DRAWN TO SCALE OF	CHKR	S. PRATER	DATE	04/01/08		
		APPROVED	H. OBEID	DATE	04/01/08		
AUTOCAD DWG		FOR INTERPRETATION OF DIMENSIONING AND TOLERANCING, SEE ANS1: Y14.5M-1982		MODEL FIRST USED ON	SPCL9999R-604A	SITE CODE	PGA
				DWG NO.	0625-5206	SHEET	7 of 13
						DWG STD	D

TERMINATOR PLUGS
CUSTOMER INTERFACE BOX (CIB)



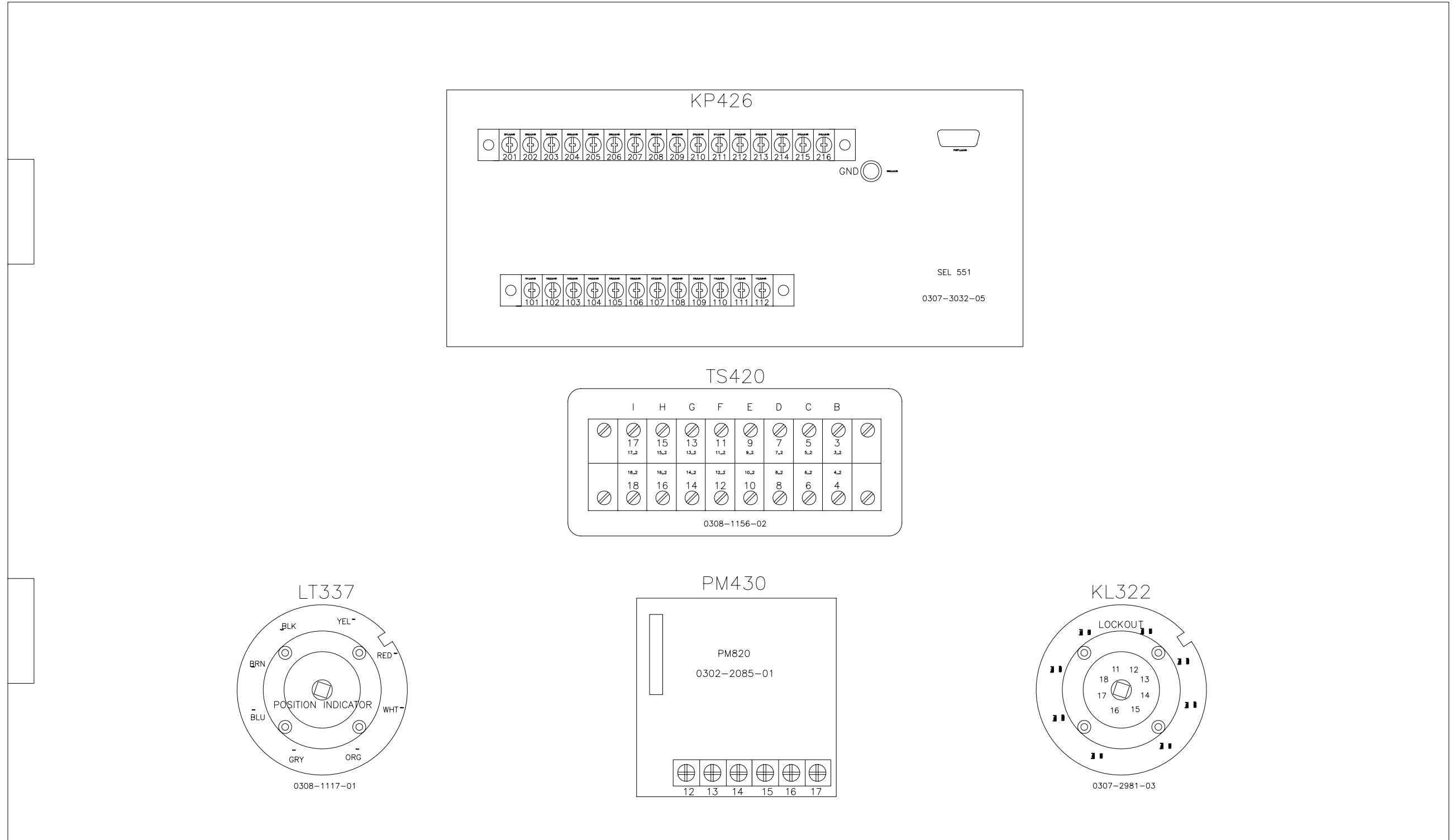
801
802
803
804
805
806
807
808
809
810
811
812
813
814
815
816
817
818
819
820
821
822
823
824
825
826
827
828
829
830
831
832
833
834
835
836
837
838

ECO NO.	LTR NO.	REVISION	ZONE	DR	CHKR	APPROVED	DATE	ECO NO.	LTR NO.	REVISION	ZONE	DR	CHKR	APPROVED	DATE
								FRD34332	A	PRODUCTION RELEASE, AS-BUILT		HO	SP	HO	08/13/08

PROJECT:
I-BEAR
TERMINATOR PLUGS
DISTRIBUTOR:
CUMMINS GOVERNMENT SALES

DO NOT SCALE PRINT		SW TO	PART NO.	DWG SIZE	DESCRIPTION OF MATERIAL	REF DES.
COPIED FROM	THREE ANGLE PROJECTION	NAME	H. OBEID	DATE	04/01/08	<p>CUMMINS POWER GENERATION 1400 75th AVE. NE MINNEAPOLIS, MN 55432</p>
ANG. TOL.	DRAWN TO SCALE OF	CHKR	S. PRATER	DATE	04/01/08	
THIS DOCUMENT IS THE PROPERTY OF CUMMINS POWER GENERATION. IT CONTAINS PROPRIETARY AND CONFIDENTIAL INFORMATION WHICH MUST NOT BE REPRODUCED, USED OR DISCLOSED OTHER THAN EXPRESSLY AUTHORIZED BY CUMMINS POWER GENERATION OR ITS REPRESENTATIVE.		APPROVED	H. OBEID	DATE	04/01/08	
AUTOCAD DWG		FOR INTERPRETATION OF DIMENSIONING AND TOLERANCING, SEE ANSI: Y14.5M-1982	MODEL FIRST USED ON	SPCL9999R-604A	SITE CODE	PGA
			DWG NO.	0625-5206	SHEET	8 of 13
					DWG SIZE	D

DOOR, SECTION 1, CELL A



ECO NO.	LTR	NO.	REVISION	ZONE	DR	CHKR	APPROVED	DATE	ECO NO.	LTR	NO.	REVISION	ZONE	DR	CHKR	APPROVED	DATE
									FRD34332	A	-	PRODUCTION RELEASE, AS-BUILT	-	HO	SP	HO	08/13/08

PROJECT:
 I-BEAR
 SECTION 1, CELL A DOOR LAYOUT
 DISTRIBUTOR:
 CUMMINS GOVERNMENT SALES

DO NOT SCALE PRINT	SW TO	PART NO.	NAME	DATE	REF DES.
	COPIED FROM	DR	H. OBEID	04/01/08	CUMMINS POWER GENERATION <small>1400 73rd AVE. NE MINNEAPOLIS, MN 55412</small>
	THREE ANGLE PROJECTION	CHGR	S. PRATER	04/01/08	
ANG TOL.	DRAWN TO SCALE OF	APPROVED	H. OBEID	04/01/08	TITLE
		<small>THIS DOCUMENT IS THE PROPERTY OF CUMMINS POWER GENERATION. IT CONTAINS PROPRIETARY AND CONFIDENTIAL INFORMATION WHICH MUST NOT BE REPRODUCED, COPIED, OR DISCLOSED OTHER THAN EXPRESSLY AUTHORIZED BY CUMMINS POWER GENERATION OR ITS REPRESENTATIVE.</small>		MODEL FIRST USED ON	SCHEMATIC-SWITCHGEAR
AUTOCAD DWG		FOR INTERPRETATION AND TOLERANCING, SEE ANSI: Y14.5M-1982	SPCL9999R-604A	PGA	0625-5206
				SHEET	9 of 13
				DWG NO.	D

6 5 4 ↓ 3 2 1

D

C

B

A

D

C

B

A

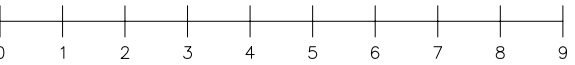
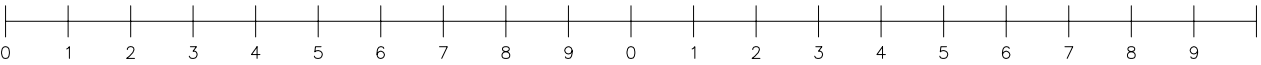
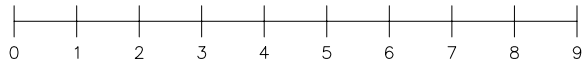
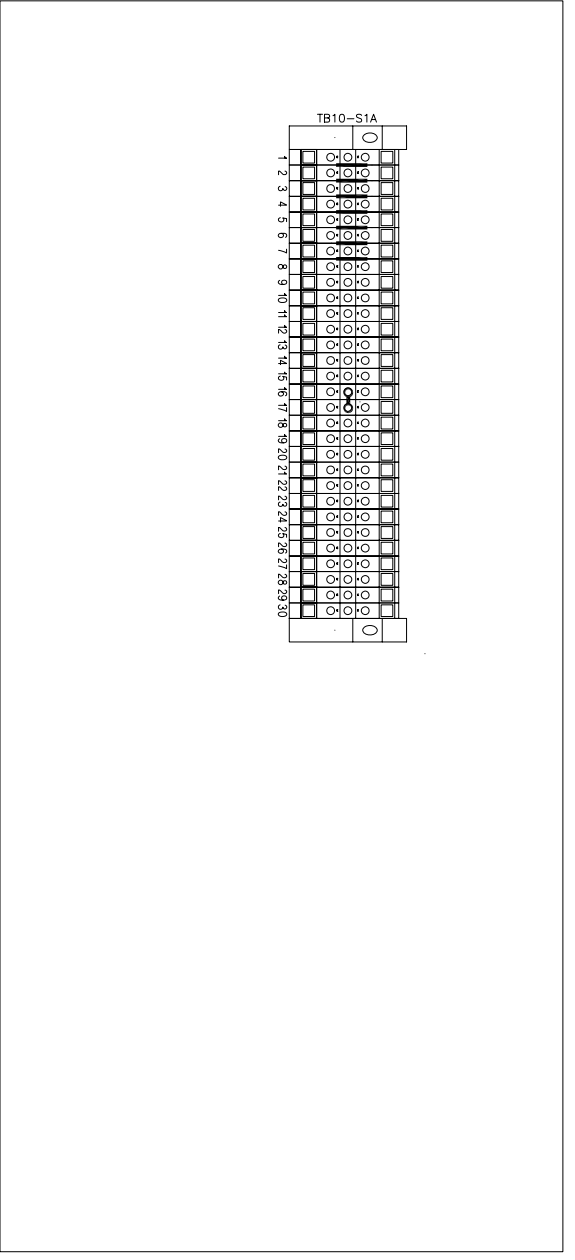
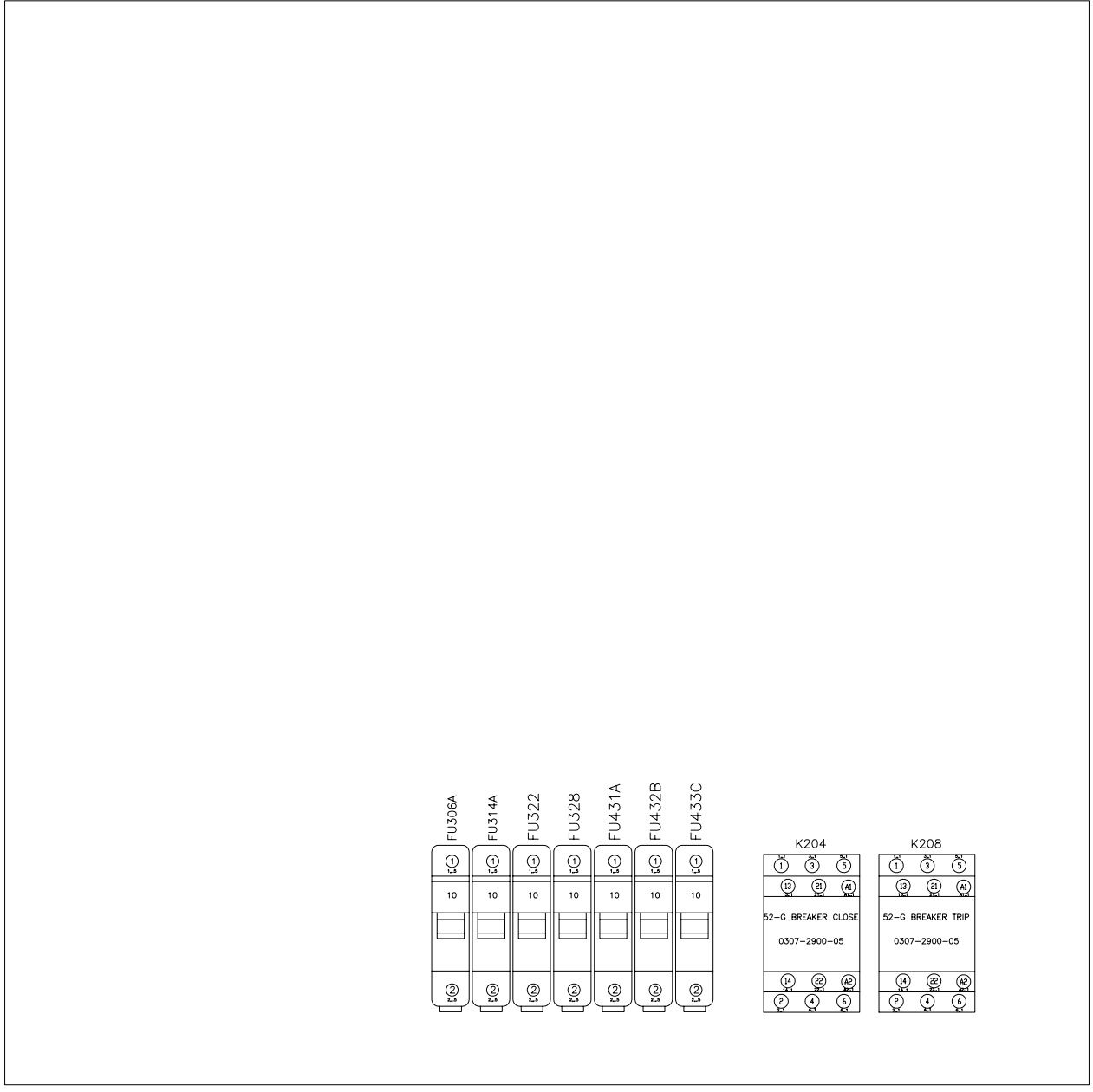
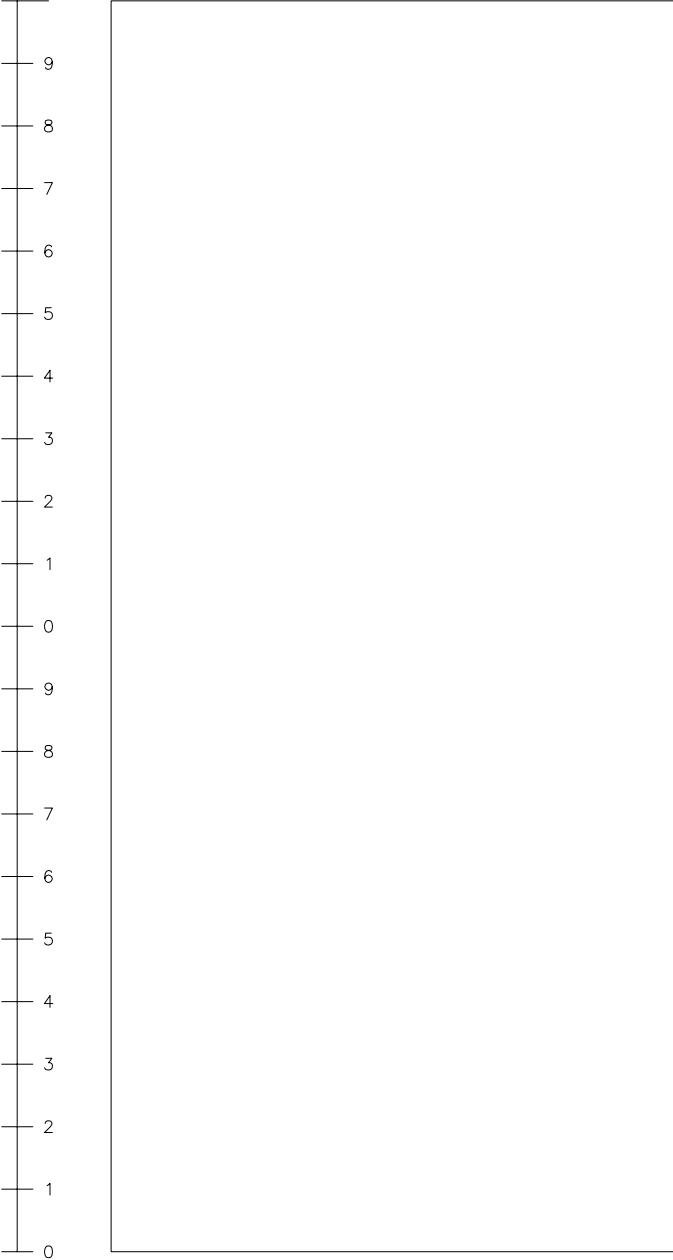
6 3 2 1

SECTION 1, CELL A

LEFT

REAR

RIGHT



ECO NO.	LTR NO.	REVISION	ZONE	DR	CHKR	APPROVED	DATE
FRD34332	A	—	—	HO	SP	HO	08/13/08

PROJECT:
I-BEAR
SECTION 1, CELL A LAYOUT
DISTRIBUTOR:
CUMMINS GOVERNMENT SALES

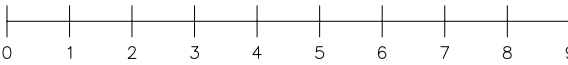
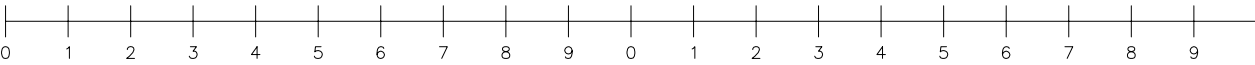
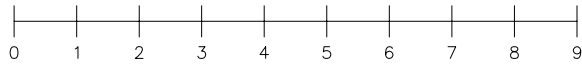
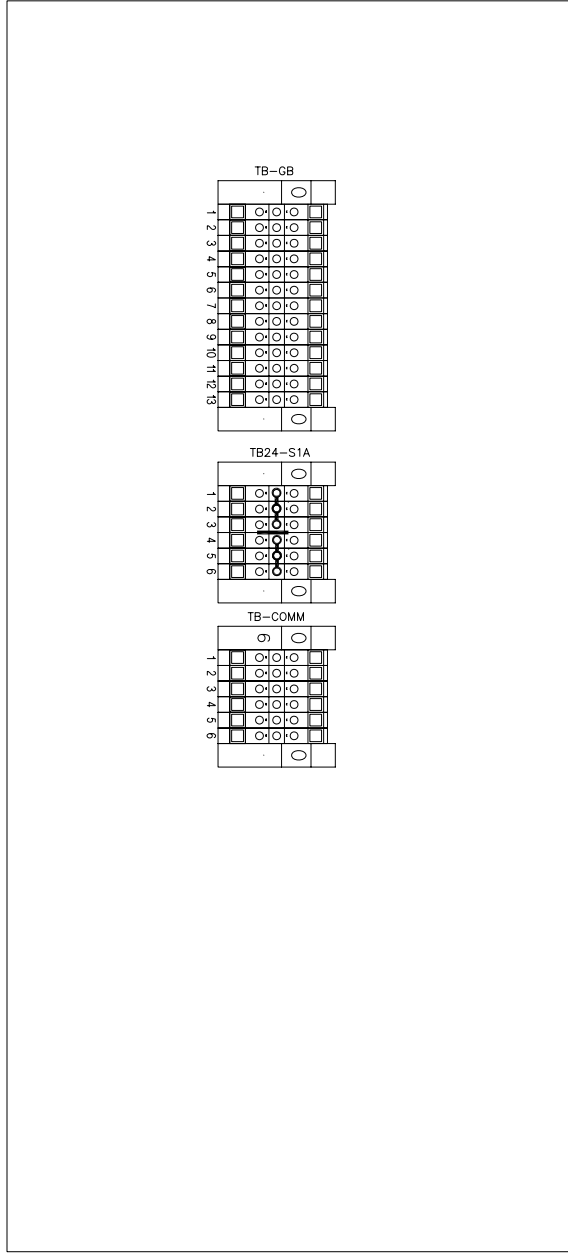
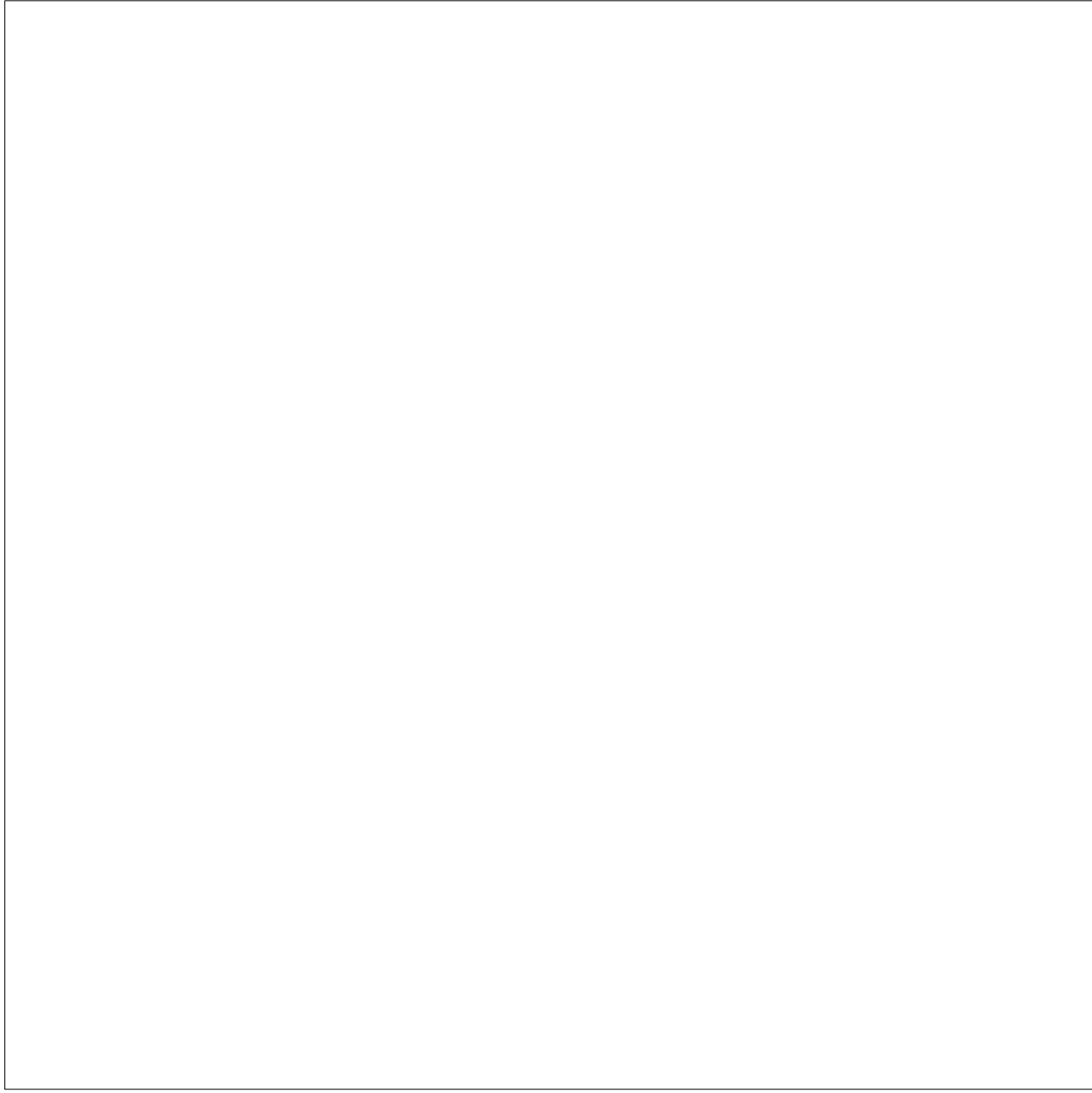
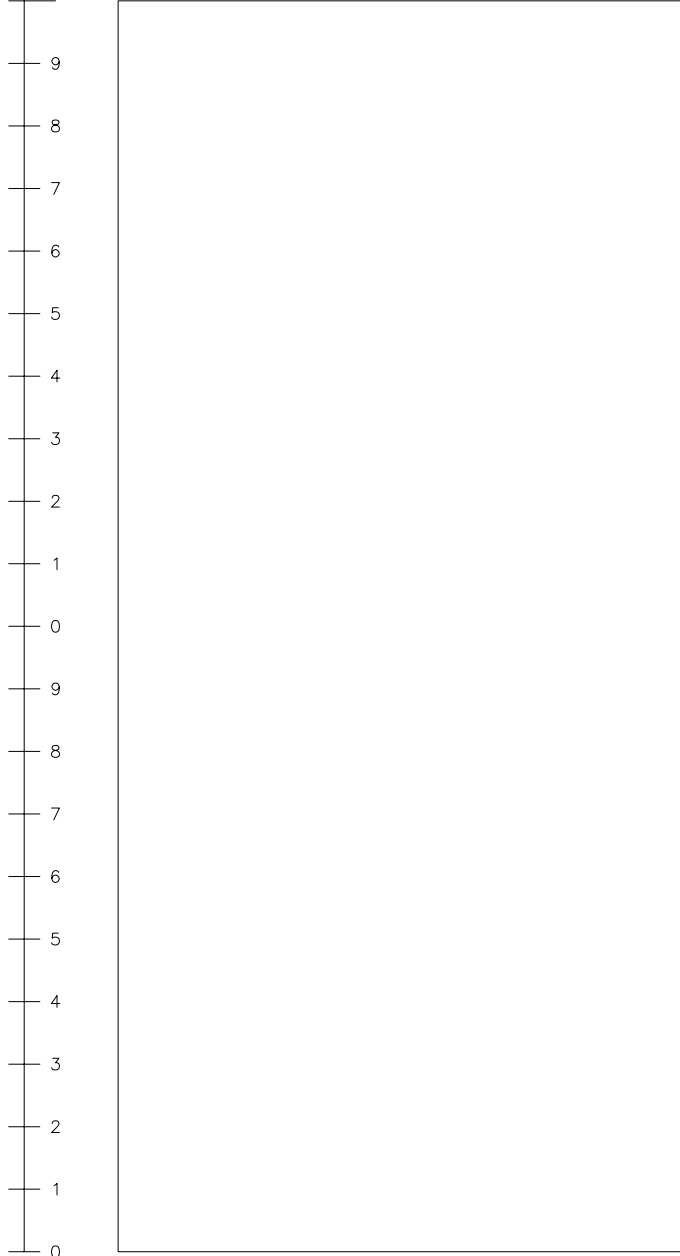
DO NOT SCALE PRINT		<table border="1" style="width: 100%; border-collapse: collapse;"> <tr> <th>SW TO</th> <th>NAME</th> <th>DATE</th> </tr> <tr> <td>DR</td> <td>H. OBEID</td> <td>04/01/08</td> </tr> <tr> <td>CHKR</td> <td>S. PRATER</td> <td>04/01/08</td> </tr> <tr> <td>MFG</td> <td>H. OBEID</td> <td>04/01/08</td> </tr> </table>	SW TO	NAME	DATE	DR	H. OBEID	04/01/08	CHKR	S. PRATER	04/01/08	MFG	H. OBEID	04/01/08	<table border="1" style="width: 100%; border-collapse: collapse;"> <tr> <th>PART NO.</th> <th>DWG SIZE</th> <th>DESCRIPTION OF MATERIAL</th> </tr> <tr> <td>SPCL9999R-604A</td> <td>PGA</td> <td>CUMMINS POWER GENERATION</td> </tr> </table>	PART NO.	DWG SIZE	DESCRIPTION OF MATERIAL	SPCL9999R-604A	PGA	CUMMINS POWER GENERATION
SW TO	NAME	DATE																			
DR	H. OBEID	04/01/08																			
CHKR	S. PRATER	04/01/08																			
MFG	H. OBEID	04/01/08																			
PART NO.	DWG SIZE	DESCRIPTION OF MATERIAL																			
SPCL9999R-604A	PGA	CUMMINS POWER GENERATION																			
<table border="1" style="width: 100%; border-collapse: collapse;"> <tr> <th>FOR INTERPRETATION OF DIMENSIONING AND TOLERANCING, SEE ANSIS: Y14.5M-1982</th> </tr> </table>		FOR INTERPRETATION OF DIMENSIONING AND TOLERANCING, SEE ANSIS: Y14.5M-1982	<table border="1" style="width: 100%; border-collapse: collapse;"> <tr> <th>TITLE</th> <th>SHEET</th> <th>DWG NO.</th> </tr> <tr> <td>SCHEMATIC-SWITCHGEAR</td> <td>10 of 13</td> <td>0625-5206</td> </tr> </table>	TITLE	SHEET	DWG NO.	SCHEMATIC-SWITCHGEAR	10 of 13	0625-5206												
FOR INTERPRETATION OF DIMENSIONING AND TOLERANCING, SEE ANSIS: Y14.5M-1982																					
TITLE	SHEET	DWG NO.																			
SCHEMATIC-SWITCHGEAR	10 of 13	0625-5206																			

SECTION 1, CELL B

LEFT

REAR

RIGHT



ECO NO.	LTR	NO.	REVISION	ZONE	DR	CHKR	APPROVED	DATE
FRD34332	A	-	PRODUCTION RELEASE, AS-BUILT	-	HO	SP	HO	08/13/08

PROJECT:
I-BEAR
SECTION 1, CELL B LAYOUT
DISTRIBUTOR:
CUMMINS GOVERNMENT SALES

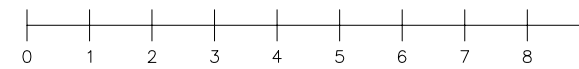
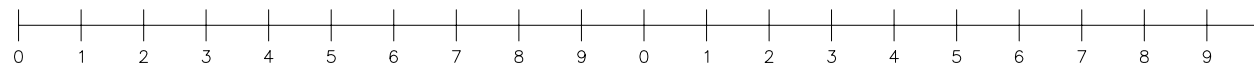
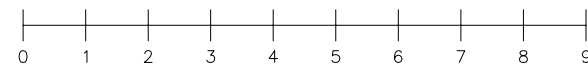
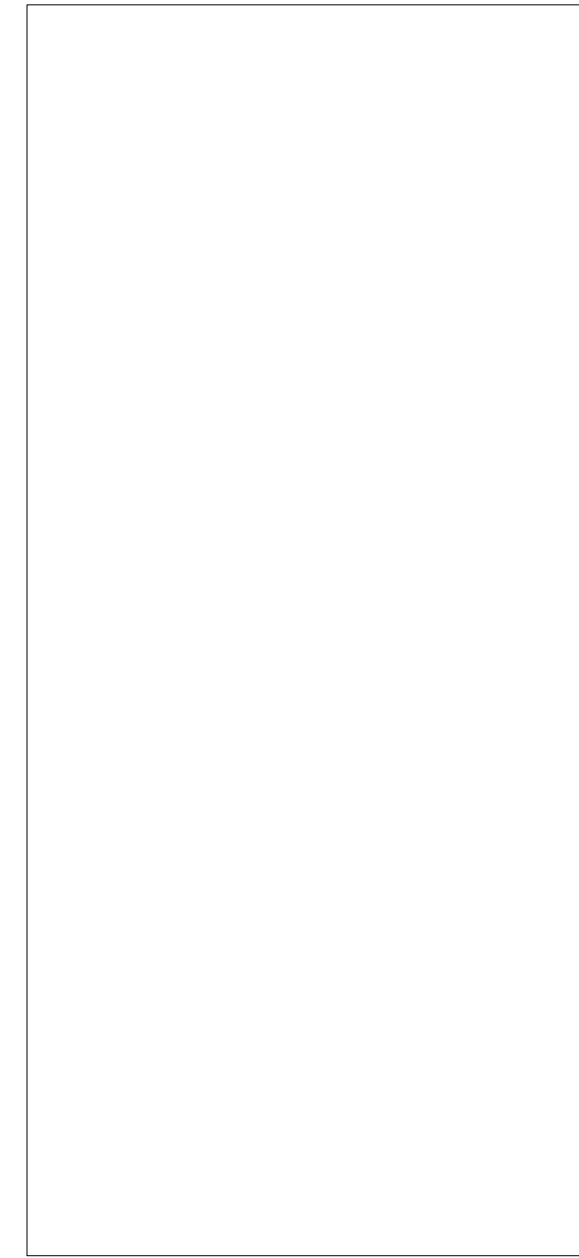
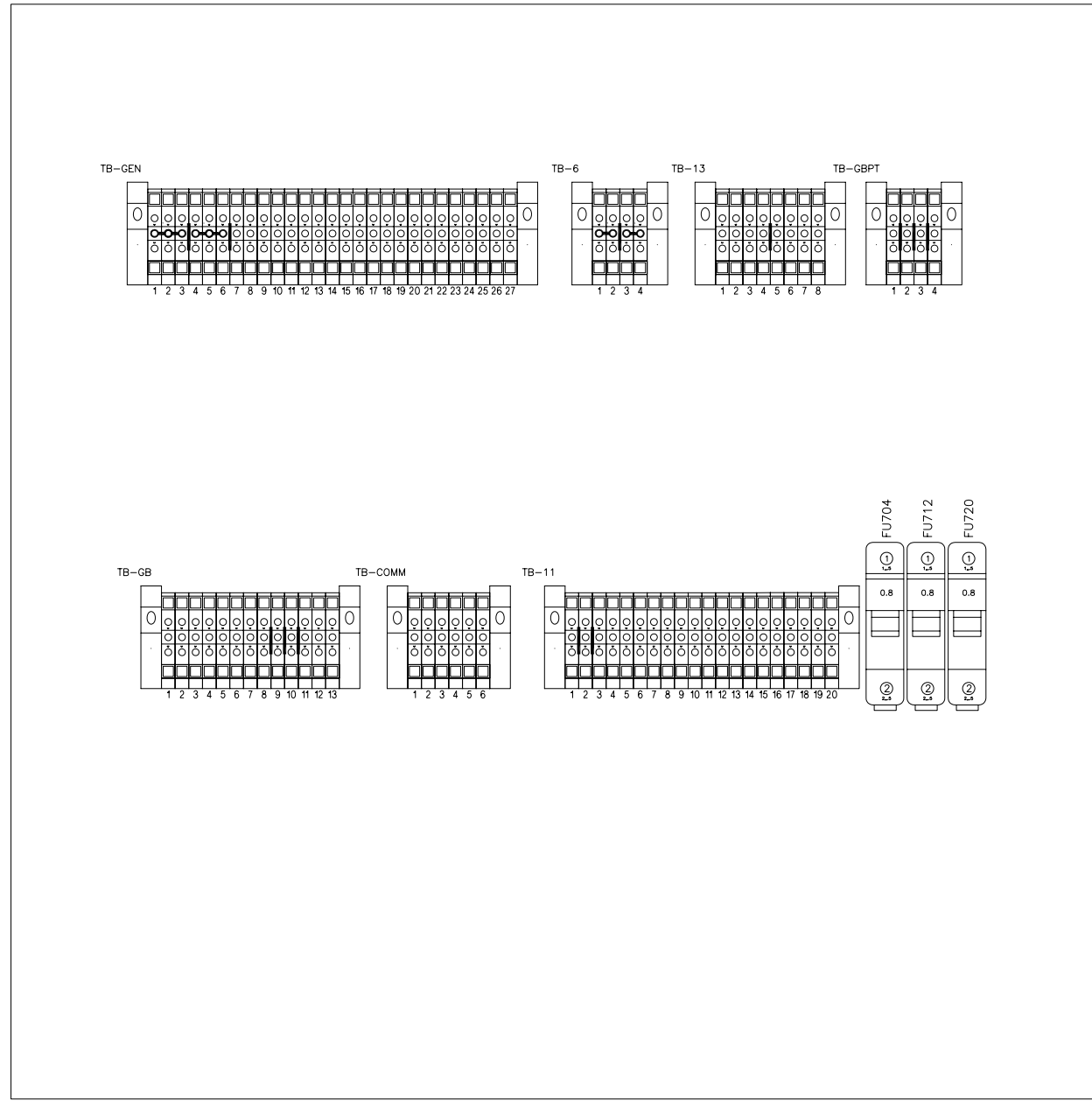
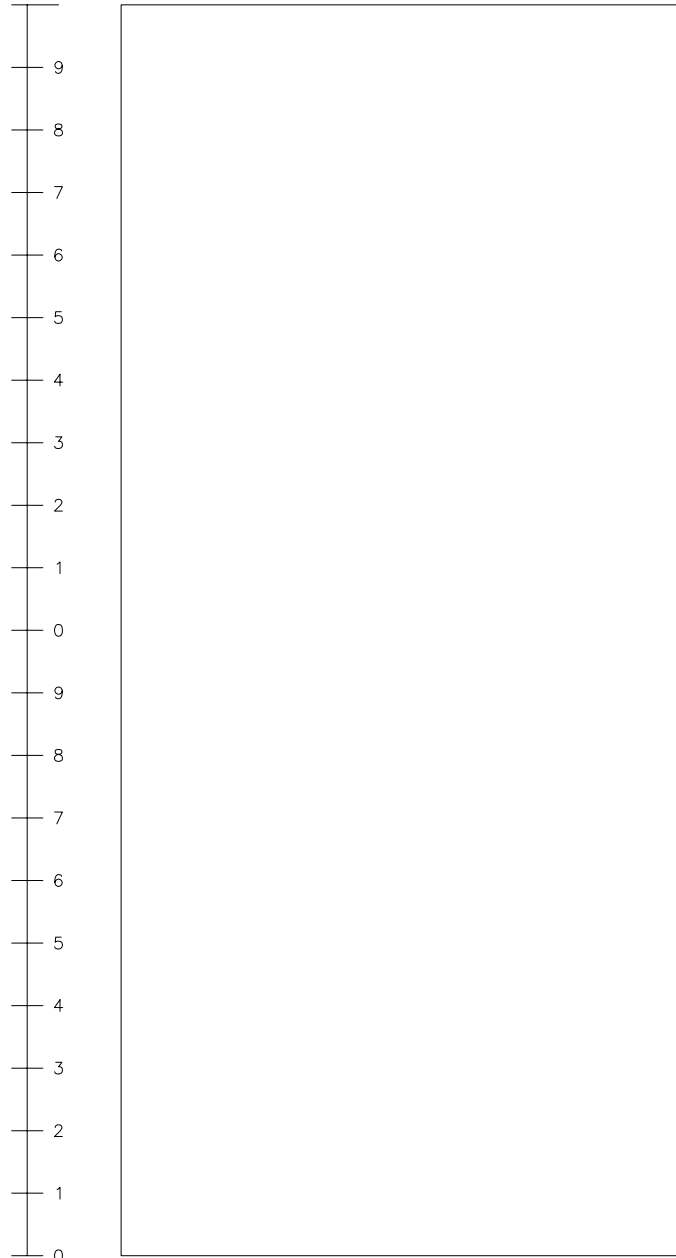
DO NOT SCALE PRINT		SW TO COPIED FROM THREE ANGLE PROJECTION DRG TO SCALE OF THIS DOCUMENT IS THE PROPERTY OF CUMMINS POWER GENERATION. IT CONTAINS PROPRIETARY AND CONFIDENTIAL INFORMATION WHICH MUST NOT BE REPRODUCED, USED OR DISCLOSED OTHER THAN EXPRESSLY AUTHORIZED BY CUMMINS POWER GENERATION OR ITS REPRESENTATIVE.	PART NO. NAME DATE CHKR MFG APPROVED H. OBEID 04/01/08	DESCRIPTION OF MATERIAL MODEL FIRST USED ON SPCL9999R-604A	REF DES. CUMMINS POWER GENERATION 1400 75th AVE. NE MINNEAPOLIS, MN 55432 TITLE SCHEMATIC-SWITCHGEAR SITE CODE PGA	DWG NO. 0625-5206	SHEET 11 of 13	DWG SIZE D
---------------------------	--	---	---	--	---	----------------------	-------------------	---------------

CUSTOMER INTERFACE BOX, CIB

LEFT

REAR

RIGHT



ECO NO.	LTR	NO.	REVISION	ZONE	DR	CHKR	APPROVED	DATE

PROJECT:
I-BEAR
CUSTOMER INTERFACE BOX, CIB, LAYOUT
DISTRIBUTOR:
CUMMINS GOVERNMENT SALES

FRD34332 A -- PRODUCTION RELEASE, AS-BUILT -- HO SP HO 08/13/08

DO NOT SCALE PRINT		SM TO	PART NO.	DWG SIZE	DESCRIPTION OF MATERIAL	REF DES.
THREE ANGLE PROJECTION		DR	H. OBEID	DATE	04/01/08	 CUMMINS POWER GENERATION <small>1400 73rd AVE. NE MINNEAPOLIS, MN 55412</small>
ANG TOL.		CHKR	S. PRATER	DATE	04/01/08	
		APPROVED	H. OBEID	DATE	04/01/08	
AUTOCAD DWG		FOR INTERPRETATION OF DIMENSIONING AND TOLERANCING, SEE ANS1: Y14.5M-1982		MODEL FIRST USED ON	SPCL9999R-604A	TITLE: SCHEMATIC-SWITCHGEAR SITE CODE: PGA DWG NO.: 0625-5206 SHEET: 12 of 13 DWG STD: D

6

5

4

↓

3

2

1

CUSTOMER INTERFACE BOX, CIB

BOTTOM

D

D

C

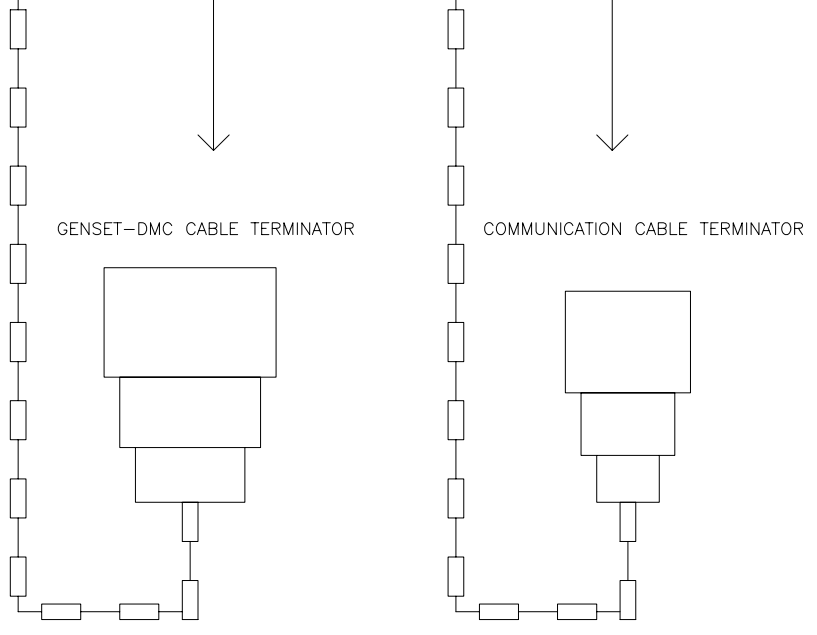
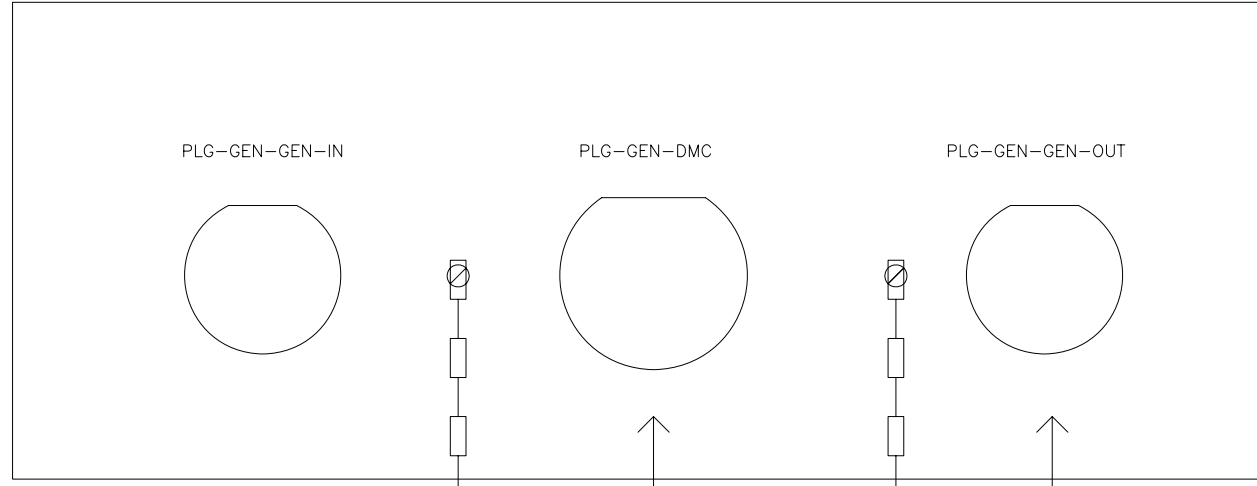
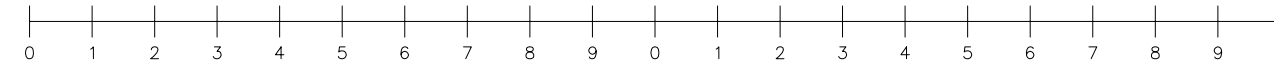
C

B

B

A

A



ECO NO.	LTR	NO.	REVISION	ZONE	DR	CHKR	APPROVED	DATE

PROJECT:
 I-BEAR
 CUSTOMER INTERFACE BOX, CIB, BOTTOM LAYOUT
 DISTRIBUTOR:
 CUMMINS GOVERNMENT SALES

DO NOT SCALE PRINT		SM TO	PART NO.	DWG SIZE	DESCRIPTION OF MATERIAL	REF DES.
COPIED FROM	THREE ANGLE PROJECTION	NAME	NAME	DATE	CUMMINS POWER GENERATION 1400 75th AVE. NE MINNEAPOLIS, MN 55412	
ANG. TOL.	DRAWN TO SCALE OF	CHKR	S. PRATER	04/01/08	TITLE SCHEMATIC-SWITCHGEAR	
<small>THIS DOCUMENT IS THE PROPERTY OF CUMMINS POWER GENERATION. IT CONTAINS PROPRIETARY AND CONFIDENTIAL INFORMATION WHICH MUST NOT BE REPRODUCED, USED OR DISCLOSED OTHER THAN EXPRESSLY AUTHORIZED BY CUMMINS POWER GENERATION OR ITS REPRESENTATIVE.</small>		APPROVED	H. OBEID	04/01/08	SITE CODE	SHEET 0625-5206 DWG NO. 13 of 13 SHEET D
AUTOCAD DWG		MODEL FIRST USED ON	SPCL9999R-604A	PGA		

6

3

2

1